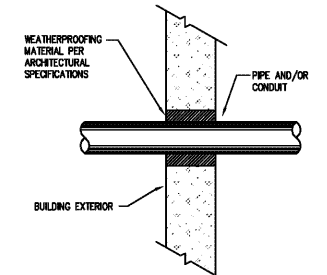
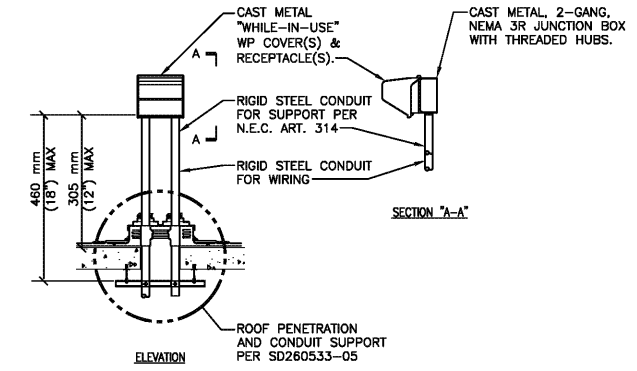


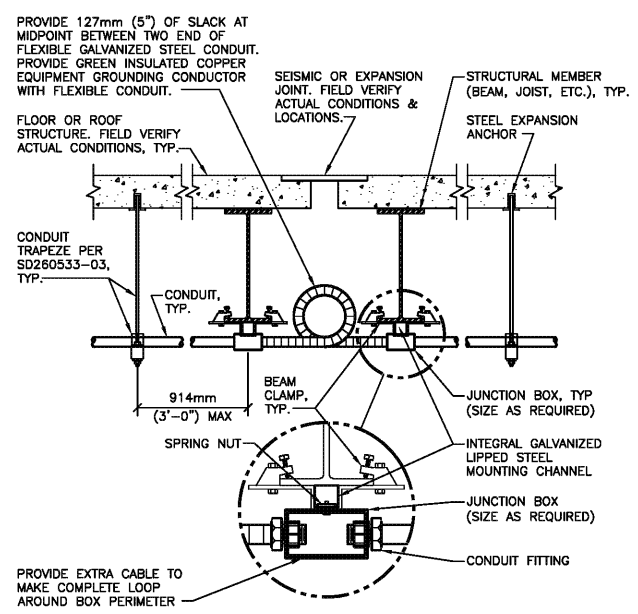
1 AND 2 HR. GYPSUM/WALLBOARD PENETRATION DETAIL
NTS



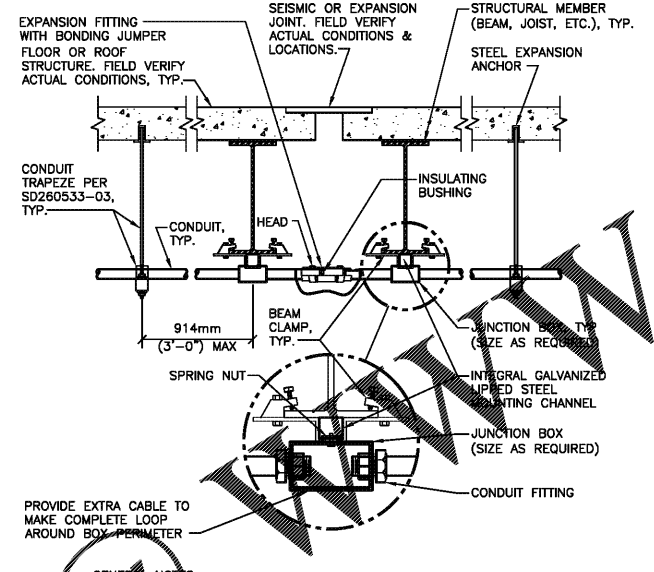
PIPE AND/OR CONDUIT PENETRATION
NTS



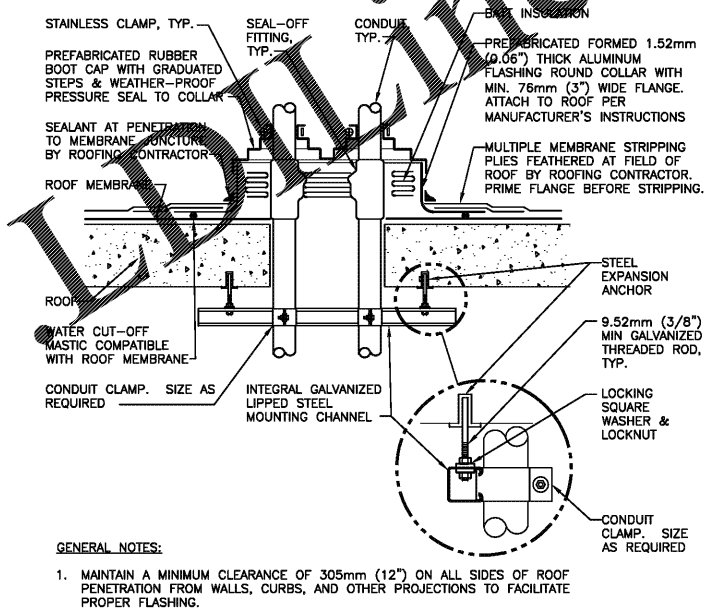
RECEPTACLE ROOF MOUNTING DETAIL
NTS



CONDUIT EXPANSION JOINT CROSSING DETAIL-FLEXIBLE CONDUIT
NTS



CONDUIT EXPANSION JOINT CROSSING DETAIL-EXPANSION FITTING
NTS

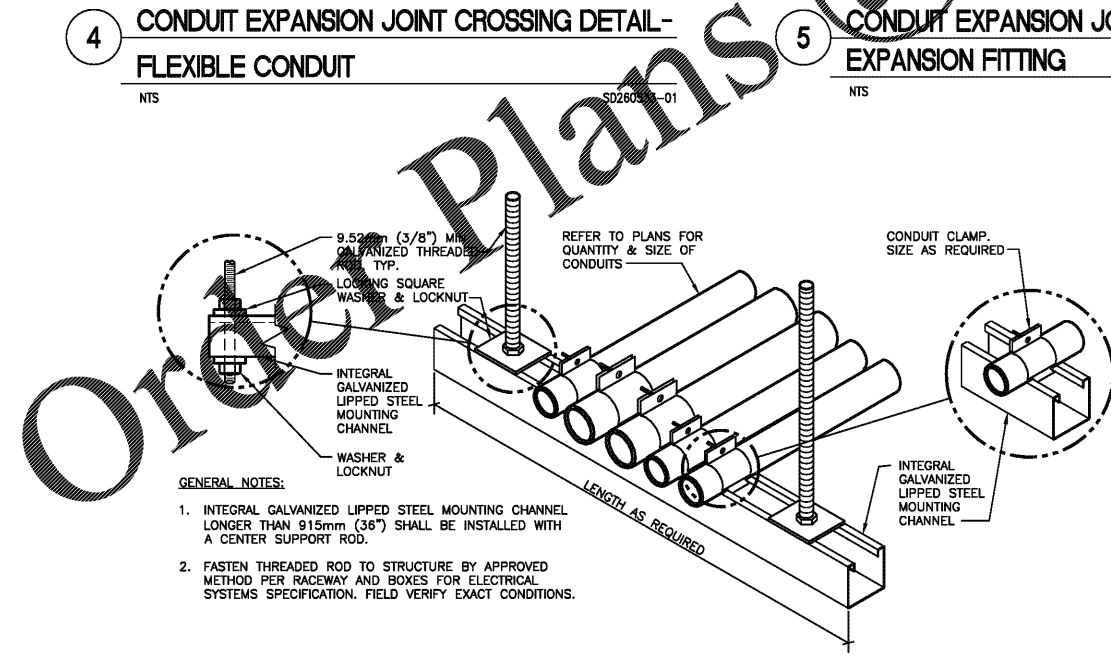


CONDUIT ROOF PENETRATION DETAIL
NTS

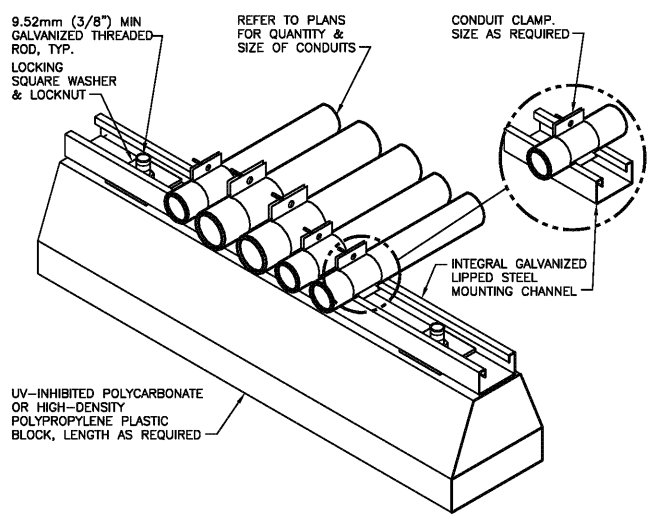
CONDUIT EXPANSION JOINT CROSSING DETAIL-FLEXIBLE CONDUIT
NTS

CONDUIT EXPANSION JOINT CROSSING DETAIL-EXPANSION FITTING
NTS

CONDUIT ROOF PENETRATION DETAIL
NTS



CONDUIT TRAPEZE MOUNTING DETAIL
NTS



ROOF CONDUIT SUPPORT DETAIL
NTS

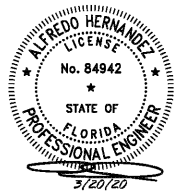
LEAN
dental design

8000 IH-10, FRONTAGE RD., STE 300
SAN ANTONIO, TX 78230
210-899-4500

HMB
ENGINEERING
CONSULTANTS

2102 NORTH FLORES
SAN ANTONIO, TEXAS 78212
210-393-1840 PHONE
SAN ANTONIO - IGV
TX REGISTRATION NO.
15341

DENTAL OFFICES OF
DR. FREITAS & DR. SOUZA
17901 PINES BLVD. SUITE 202, PEMBROKE PINES, FL 33029



ISSUE

NO.	DATE	DESCRIPTION
1	03-20-2020	PERMIT DOCUMENTS

Project No. HMB PROJ #20055 Date: 03/20/20
Sheet Title:

ELECTRICAL DETAILS

Page No. **E003**