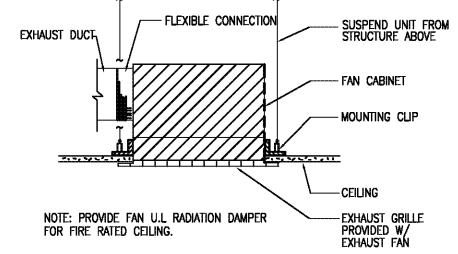
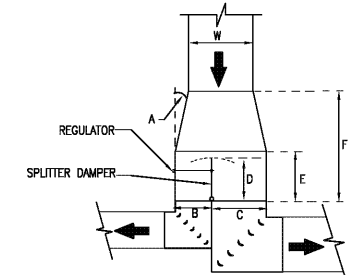


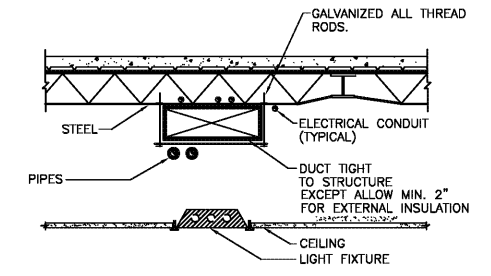
1 ROOF TOP UNIT MOUNTING DETAIL
NTS



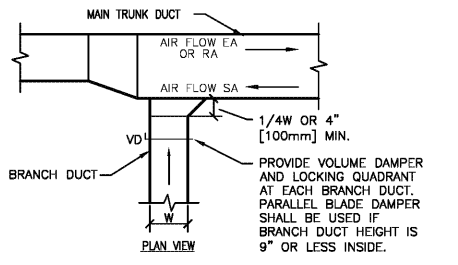
2 CEILING MOUNTED EXHAUST FAN
NTS



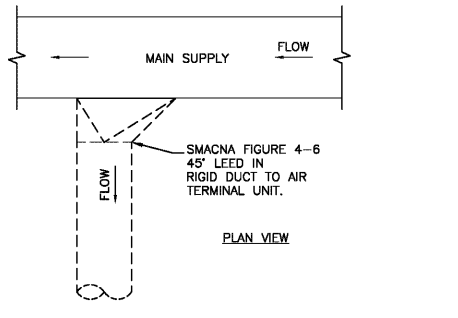
3 SPLITTER DAMPER DETAIL
NTS



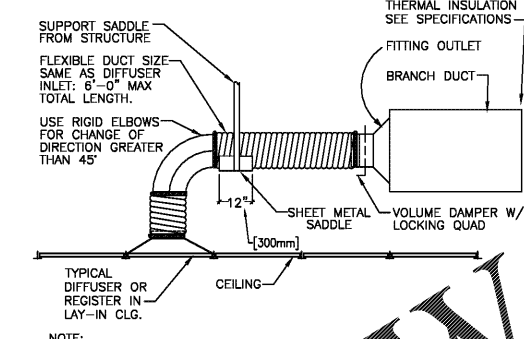
4 RECTANGULAR DUCT INSTALLATION
NTS



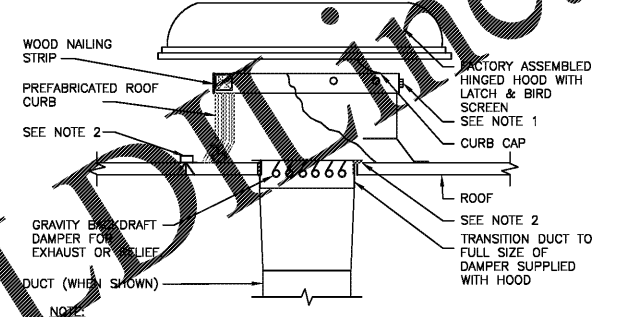
5 BRANCH DUCT TAKE-OFF PAN VIEW
NTS



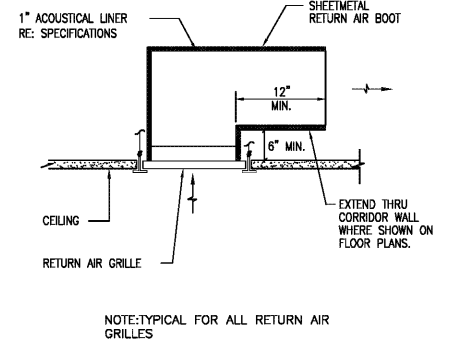
6 ALTERNATE SUPPLY DUCT TAKEOFF - AIR TERMINAL UNITS
NTS



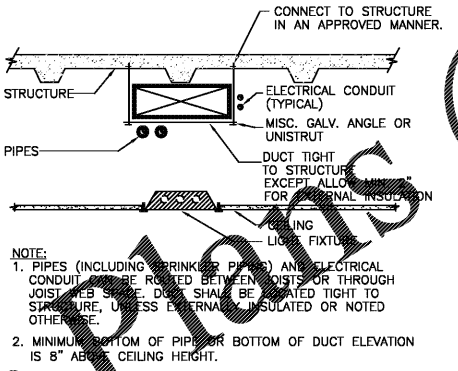
7 FLEXIBLE AIR DUCT CONNECTOR
NTS



8 RELIEF HOOD
NTS



9 RETURN AIR BOOT AT GRILLE
NTS



10 RECTANGULAR DUCT INSTALLATION
NTS

Order @ WWW.LDOnline.com

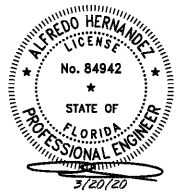
LEAN
dental design

8000 IH-10, FRONTAGE RD., STE 300
SAN ANTONIO, TX 78230
210-899-4500

HMB
ENGINEERING
CONSULTANTS

2002 NORTH FLORES
SAN ANTONIO, TEXAS 78212
210-393-1340 PHONE
SAN ANTONIO - 157
15341
FIRM REGISTRATION NO.

DENTAL OFFICES OF
DR. FREITAS & DR. SOUZA
17901 PINES BLVD. SUITE 202, PEMBROKE PINES, FL 33029



ISSUE		
NO.	DATE	DESCRIPTION
1	03-20-2020	PERMIT DOCUMENTS

Project No. HMB PROJ #20055 Date: 03/20/20
Sheet Title: **MECHANICAL DETAILS**
Page No. **M001**