

MILLWORK / EQUIPMENT PLAN

NOTES:

- ALL DIMENSIONS ARE FINISHED DIMENSIONS.
- THE CONTRACTOR TO INSTALL 2X8 OR 3/4" PLYWOOD BLOCKING FOR ALL COUNTERTOPS, BASE & WALL CABINETS, SHELVING, COAT HOOKS, APRON HANGERS, AND TOILET ROOM ACCESSORIES. CHECK WITH LOCAL CODE IF BLOCKING NEEDS TO BE FIRE RATED.
- BLOCKING HEIGHTS ARE TO BE CONFIRMED BY LEAN DENTAL DESIGN.
- BLOCKING IS NOT LIMITED TO WHAT IS SHOWN ON THE BLOCKING PLAN. VERIFY ALL BLOCKING REQUIREMENTS WITH LEAN DENTAL DESIGN.
- THE CONTRACTOR IS TO PROVIDE AS-BUILT MEASUREMENTS, MILLWORK BY LEAN DENTAL DESIGN.
- SHOULD THE MILLWORK BE A PART OF THEIR WORK SCOPE, THE CONTRACTOR IS TO PROVIDE A COMPLETE INSTALLATION OF ALL CUSTOM AND STOCK MILLWORK, INCLUDING ALL REQUIRED HARDWARE AND MISCELLANEOUS ACCESSORIES.
- ALL CONFLICT OR QUESTIONS CONCERNING THE DRAWINGS SHOULD BE BROUGHT TO THE ARCHITECT FOR RESOLUTION BEFORE FABRICATION OR INSTALLATION.
- BEFORE STARTING FABRICATION, THE CONTRACTOR SHALL VERIFY ALL DIMENSIONS AND EXISTING CONDITIONS BY ACTUAL FIELD OBSERVATION AND MEASUREMENT. THE CONTRACTOR SHALL BE RESPONSIBLE FOR ALL HOLD DIMENSIONS.
- ALL VISIBLE FACES OF COUNTERTOPS AND CABINETS FROM EXTERIOR WINDOWS ARE TO BE CONSIDERED "EXPOSED" AND TO BE FINISHED WHETHER INDICATED TO BE FINISHED IN ELEVATIONS OR NOT.
- SCHEDULED ROOM BASE SHALL WRAP ALL MILLWORK FACES UNLESS OTHERWISE NOTED.
- FOLLOW AWI STANDARDS OF CONSTRUCTION FOR CUSTOM GRADE MILLWORK AS A MINIMUM QUALITY CRITERIA.
- MILLWORK ELEVATION SHEET TO BE PROVIDED UPON REQUEST.
- SHOULD MILLWORK BE SUPPLIED BY OUTSIDE VENDOR CONTRACTOR IS TO WORK WITH VENDOR TO ENSURE ALL CASEWORK IS INSTALLED. GENERAL IS TO PATCH WALLS AND PAINT POST INSTALLATION.
- GENERAL CONTRACTOR IS TO ALLOW MILLWORK USE OF DUMPSTER DURING INSTALL.
- GENERAL CONTRACTOR IS TO ASSURE NO OTHER TRADES ARE IN THE WAY OF THE MILLWORK VENDOR AT TIME OF INSTALL.

| ACCESSORY SCHEDULE | | |
|--------------------|--------------------------------------|------------------------------------|
| MARK | ACCESSORY DESCRIPTION | MANUFACTURER / MODEL NO. / NOTES |
| TA1 | 42" GRAB BAR | BOBRICK B-5806X42 |
| TA2 | 36" GRAB BAR | BOBRICK B-5806X36 |
| TA3 | SANITARY NAPKIN DISPOSAL | BOBRICK B-270 |
| TA4 | RECESSED TOILET SEAT COVER DISPENSER | BOBRICK B-301 |
| TA5 | TOILET TISSUE PAPER DISPENSER | BOBRICK B-2888 |
| TA6 | SOAP DISPENSER | GEORGIA PACIFIC 1-6CGX-1 EN MOTION |
| TA7 | WASTE RECEPTACLE | BOBRICK B-3644 |
| TA8 | 2438 MIRROR | BOBRICK B-185 |
| TA9 | AUTOMATIC PAPER TOWEL DISPENSER | GEORGIA PACIFIC MOTION |
| TA10 | BABY CHANGING STATION | BOBRICK KB110-SSWM |

| FURNISHED AND INSTALLED BY MILLWORK CONTRACTOR | |
|--|-----------------------|
| MARK | ACCESSORY DESCRIPTION |
| | RECEPTION |
| | BEVERAGE |
| | PANIC CABINET |
| | 12 O'CLOCK CABINET |
| | STERILIZATION |
| | LAB |
| | OFFICE |
| | BREAKROOM |

LEAN
dental design

8000 IH-10, FRONTAGE RD., STE 300
SAN ANTONIO, TX 78230
210-899-4500

DENTAL OFFICES OF
DR. FREITAS & DR. SOUZA

1790 | NW 5TH STREET, SUITE 202, PEMBROKE PINES, FL 33029

ISSUE

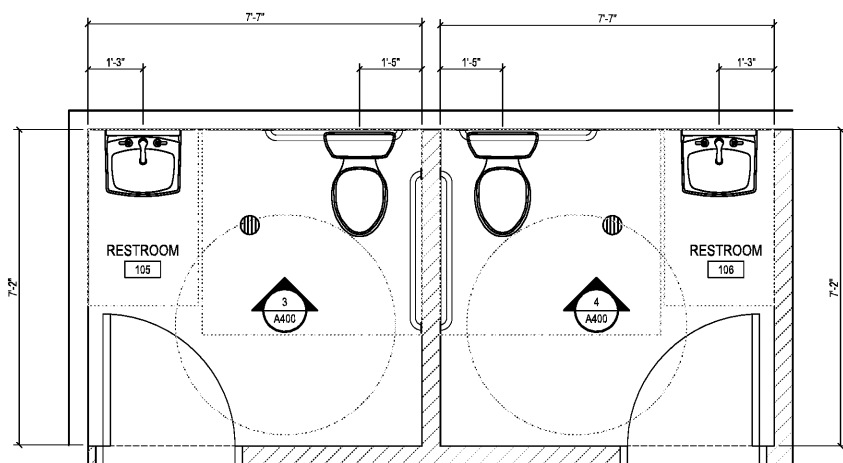
| NO. | DATE | DESCRIPTION |
|-----|-----------|------------------------|
| 1 | 2/25/2020 | FOR BID & CONSTRUCTION |

Project No. _____ Date: _____

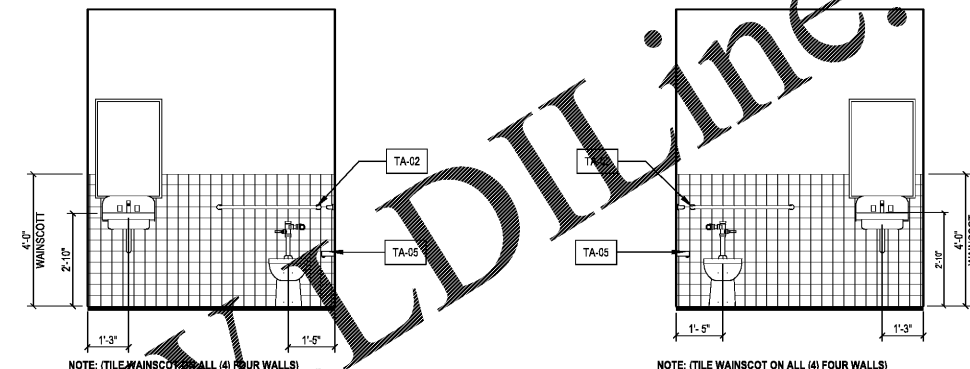
Sheet Title:
MILLWORK PLAN

Page No.
A400

SHEET
8 OF 13

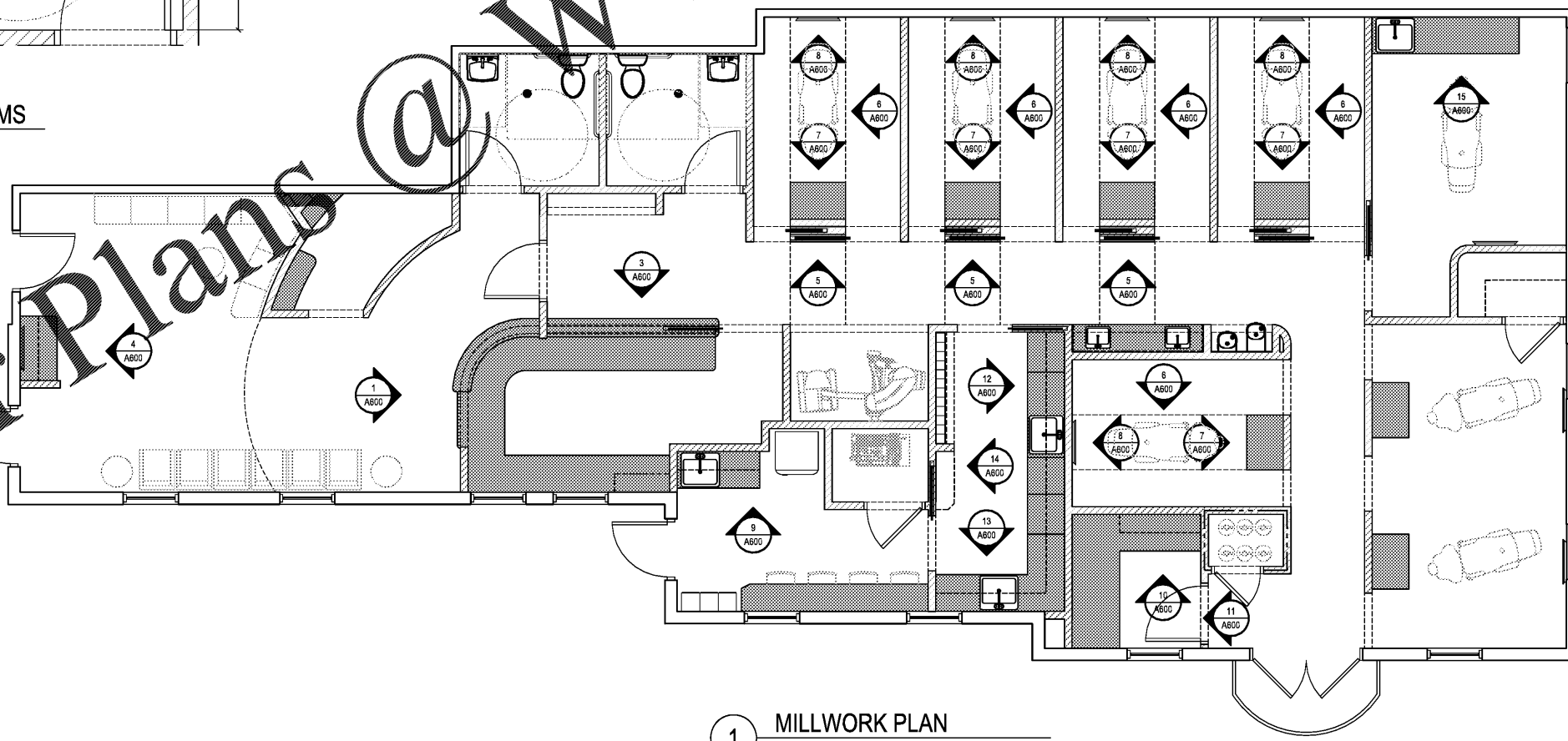


2 ENLARGED RESTROOMS
SCALE: 1/2" = 1'-0"



3 TYPICAL RESTROOM ELEVATION
SCALE: 3/8" = 1'-0"

4 TYPICAL RESTROOM ELEVATION
SCALE: 3/8" = 1'-0"



1 MILLWORK PLAN
SCALE: 1/4" = 1'-0"

Order Plans @ WWW.LDLine.com