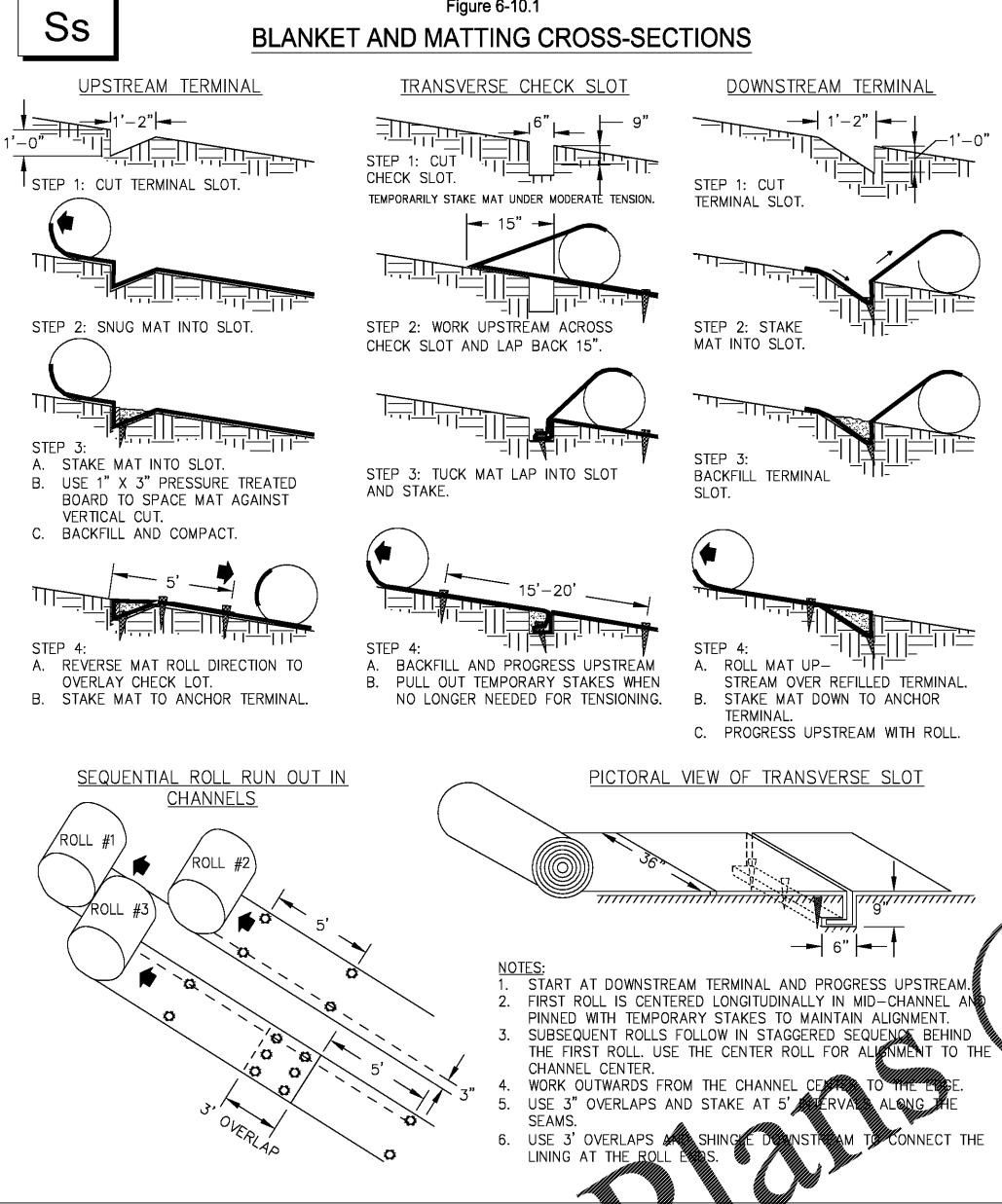


# TYPICAL INSTALLATION GUIDELINES FOR ROLLED EROSION CONTROL PRODUCTS (RECP)

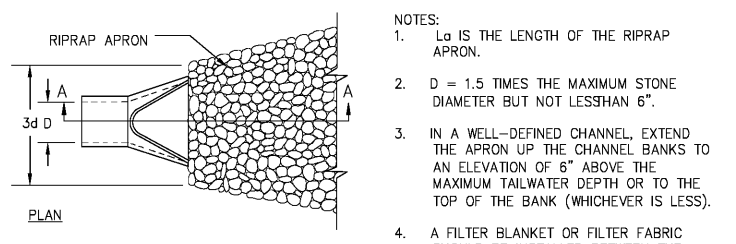
Figure 6-10.1



## St RIPRAP OUTLET PROTECTION

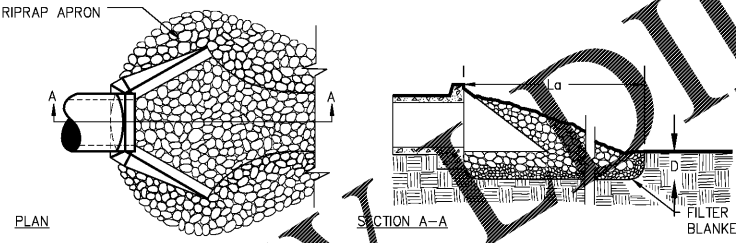
Figure 6-34.3

PIPE OUTLET TO FLAT AREA -- NO WELL DEFINED CHANNEL



- NOTES:  
 1.  $L_a$  IS THE LENGTH OF THE RIPRAP APRON.  
 2.  $D = 1.5$  TIMES THE MAXIMUM STONE DIAMETER BUT NOT LESS THAN 6".  
 3. IN A WELL-DEFINED CHANNEL, EXTEND THE APRON UP THE CHANNEL BANKS TO AN ELEVATION OF 6" ABOVE THE MAXIMUM TAILWATER DEPTH OR TO THE TOP OF THE BANK (WHICHEVER IS LESS).  
 4. A FILTER BLANKET OR FILTER FABRIC SHOULD BE INSTALLED BETWEEN THE RIPRAP AND THE SOIL FOUNDATION.

PIPE OUTLET TO WELL DEFINED CHANNEL



Georgia Soil & Water Conservation Commission  
 Manual for Erosion and Sediment Control in Georgia (amended 2014)  
 Table C-3 - Graded Rip-Rap Stone

Transportation No.	Size Inches (Sq. Opening)			Common Uses
	Max.	Avg.	Min.	
Type 3	12	9	5	Creek Banks, Pipe Outlets
Type 1	24	12	7	Lakes & River Shorelines

**Rip Rap Calculations**

STUD	$D_0$ (IN)	$Q_{25}$ (CFS)	$V_{25}$ (FPS)	$L_a$ (FT.)	$W_1$ (FT.)	$W_2$ (FT.)	$d_{50}$ (IN.)	$D$ (IN.)	TYPE	Area (sy)	Min/Tailwater
#1	54	54.9	6.7	30	13.5	34.5	12	27.0	Type 3	80.0	Min
#2 (36"x2)	72	54.1	4.6	39	18	45	15	33.8	Type 3	136.5	Min

Order Plans @ WWW.WDLine.com

**TO BE SHOWN ON EROSION, SEDIMENT AND POLLUTION CONTROL PLAN**

When a FLOATING SURFACE SKIMMER is used, show the following information along with each sediment pond, trap or basin being used on the site:

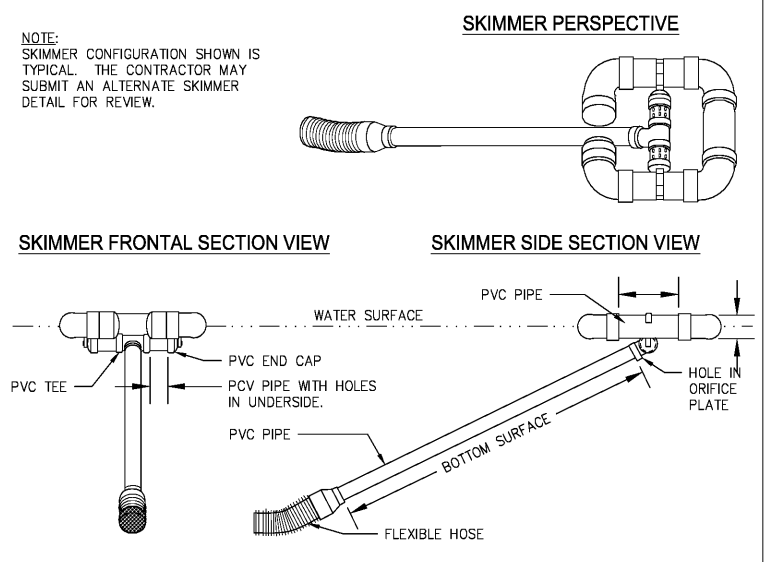
- Pond, trap or basin size, length\* (top and bottom) width\* (top and bottom) and depth = Sd3 #1: 35,168 cf, L= 180', W=90', D=6.5'
- Time to Drain (hrs) = 24
- Skimmer Dimension (orifice and head size)\*\* Sd3 #1: Skimmer 6", Orifice Diameter 5"
- Manufacturer's Name Faircloth

\*Feet, \*\* inches

## Sk FLOATING SURFACE SKIMMER

Figure 6-31.4

NOTE:  
 SKIMMER CONFIGURATION SHOWN IS TYPICAL. THE CONTRACTOR MAY SUBMIT AN ALTERNATE SKIMMER DETAIL FOR REVIEW.



**REVISIONS**

No.	Description	Date	By

Project Name:  
**APRON EXPANSION PROJECT**

Sheet Name:  
**ES&PCP DETAILS NO. 5**

GDOT Project Number: APXXX-XXXX-XX(XXX)	Holt Project Number: GAxxxx-xx
Designer: W. MCNAMARA	Technician: B. GARROW
Checked by: D. SKURRY	Submitted / Issue Date: FEBRUARY, 2020
CAD File: CX07 Erosion Details.dwg	Drawing Number: CE 5.05
Plotted: Feb 17, 2020 - 8:21am by GeorgeSumas	Scale: N.T.S.