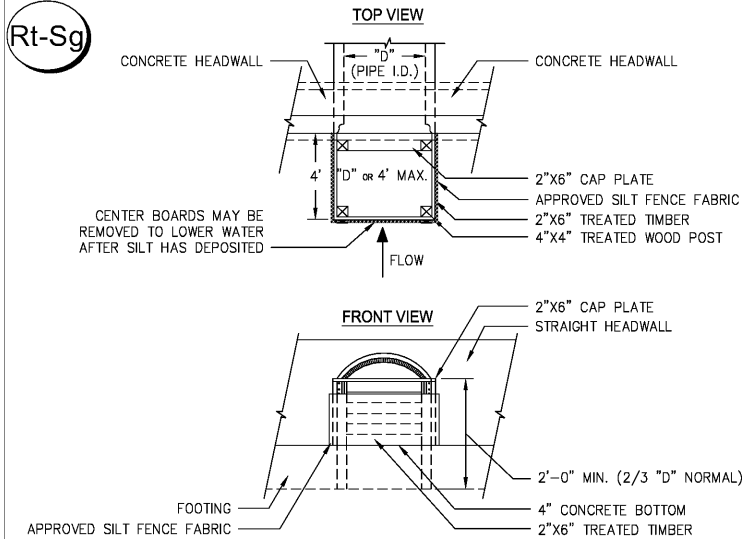


SILT CONTROL GATE WITH SLOTTED BOARD DAM

Figure 6-26.4

TYPE 2: FOR STRAIGHT HEADWALLS

- NOTES:**
1. SLOTTED BOARD DAM SHALL BE INSTALLED WITH MINIMUM SIZE 4" X 4" POSTS.
 2. BOARDS SHOULD HAVE A 0.5" TO 1" SPACE BETWEEN THEM AND MUST HAVE GROUND OR BOTTOM OF CONCRETE CONTACT.
 3. MINIMUM SIZE 3-4" STONE FILTER SHALL BE INSTALLED AROUND THE UPSTREAM SIDE OF THE BOARD DAM.
 4. POSTS FOR THE SILT CONTROL GATE SHALL BE 4" X 4" TREATED LUMBER AND FACE BOARDS SHALL BE 2" X 6" TREATED LUMBER WITH NO SPACING ALLOWED BETWEEN BOARDS.
 5. AN APPROVED SILT FENCE FABRIC SHALL BE SECURELY FASTENED TO THE FRONT OF THE STRUCTURE USING STAPLES (BE SURE TO HAVE SILT FENCE ON UPSTREAM SIDE OF STRUCTURE).
 6. SEDIMENT SHALL BE REMOVED AND PROPERLY DISPOSED OF WHEN IT REACHES ONE-THIRD THE HEIGHT OF THE SILT GATE. FILTER FABRIC SHALL BE REPLACED WHEN DAMAGED AND/OR DETERIORATED.
 7. ALL DISTURBED AREAS SHALL BE VEGETATED IMMEDIATELY AFTER CONSTRUCTION WITH PERMANENT VEGETATION.



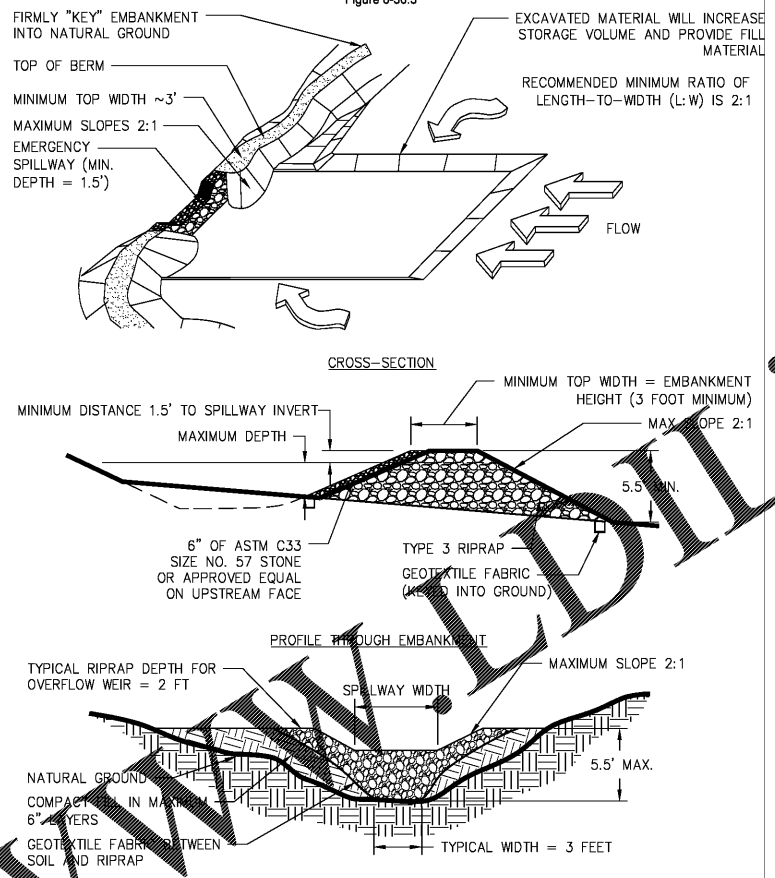
USES: A SILT CONTROL GATE IS A STRUCTURE PLACED ON A PIPE, SINGLE BARREL BOX CULVERT, OR DROP INLET TO FORM A BASIN TO TRAP SILT.
NOTE: SILT CONTROL GATES SHALL NOT BE USED ON STRUCTURES THAT CONVEY STATE WATERS.

Sd4-C TEMPORARY SEDIMENT TRAP

COURTESY OF CITY OF KNOXVILLE BMP EROSION AND SEDIMENT

ROCK OUTLET

Figure 6-30.3



SEDIMENT TRAP (Sd4-C)

I.D.#	STUDY POINT DRAINAGE AREA (AC)	BMP DRAINAGE AREA (AC)	DISTURBED AREA (AC)	SEDIMENT STORAGE REQUIRED (CF)	SEDIMENT STORAGE PROVIDED (@ SPILLWAY)	BOTTOM ELEVATION	SPILLWAY ELEVATION (1.5ft BELOW TOP OF DAM)	TOP DAM ELEVATION	SEDIMENT CLEANOUT VOLUME (CF)	SEDIMENT CLEANOUT ELEVATION
1	9.7	1.9	0.9	1,628	4,782	412.0	413.5	414.0	1,594	412.2
2	9.7	2.1	2.1	3,730	5,986	411.0	412.5	414.0	1,995	412.2

Order Plans



REVISIONS			
No.	Description	Date	By

Project Name:
APRON EXPANSION PROJECT

Sheet Name:
ES&PCP DETAILS NO. 4

GDOT Project Number: APXXX-XXXX-XX(XXX)	Holt Project Number: GAXxxx-xx
Designer: W. MCGNAMARA	Technician: B. GARROW
Checked by: D. SKURKY	Submittal / Issue Date: FEBRUARY, 2020
CAD File: CX07 Erosion Details.dwg	Plotted: Feb 17, 2020 - 8:21am by GeorgeSummers
Scale: N.T.S.	Drawing Number: CE 5.04

ES&PCP PREPARER:
AULICK ENGINEERING
1900 CENTURY PLACE
N.E. SUITE 305
CHAMBLEE, GA
(678)825-8196