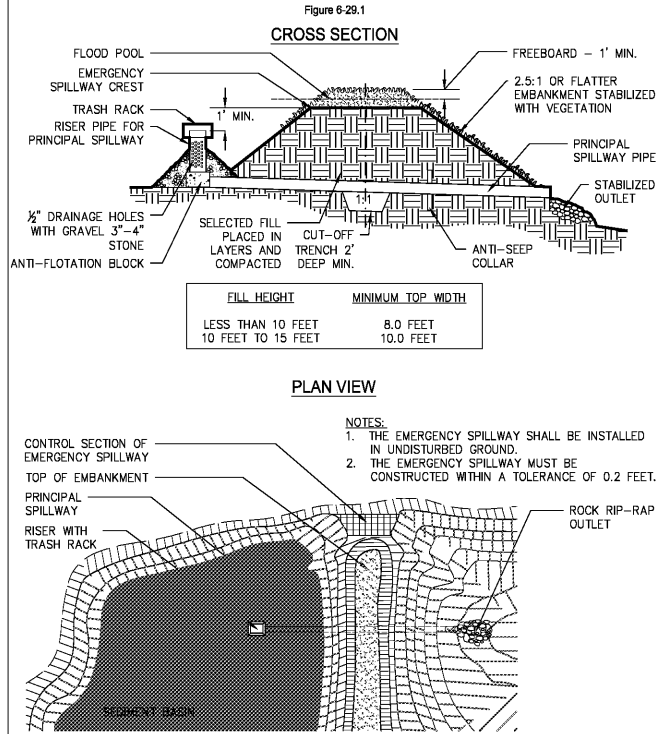
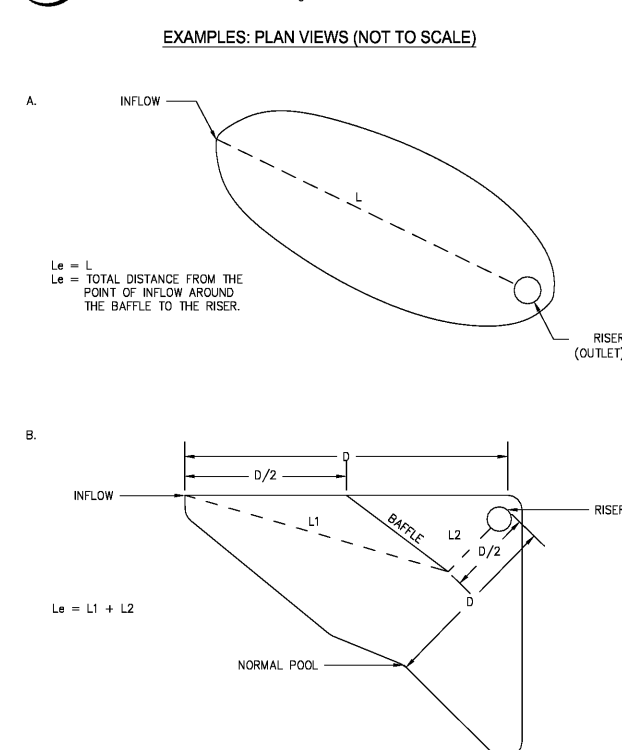


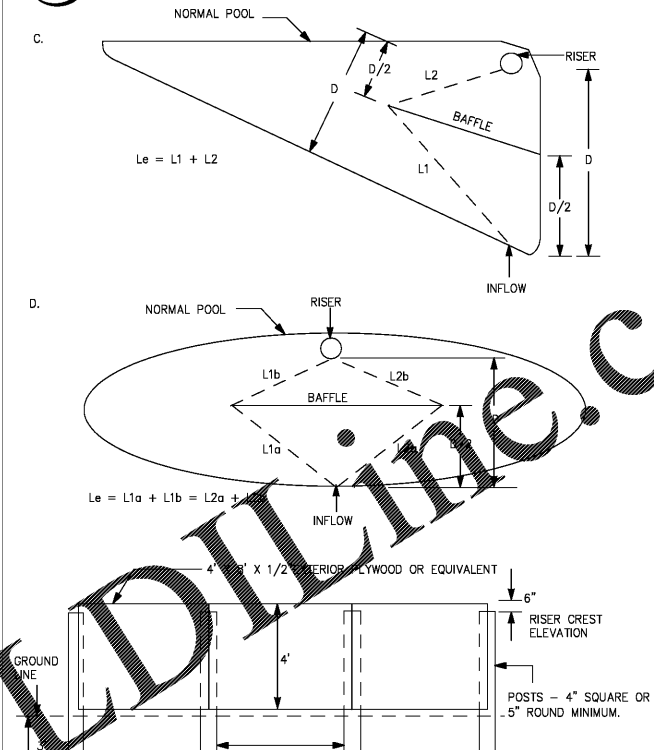
Sd3 BASIC COMPONENTS OF TEMPORARY SEDIMENT BASIN
Figure 6-29.1



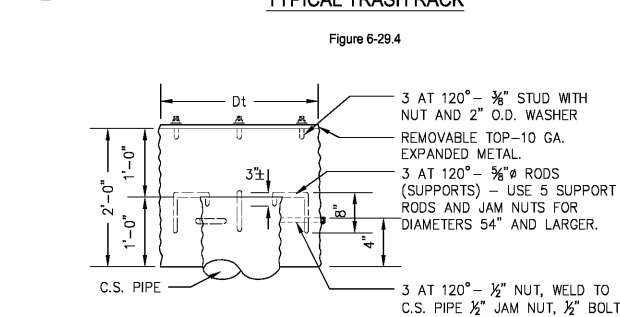
Sd3 SEDIMENT BASIN BAFFLES
Figure 6-29.2



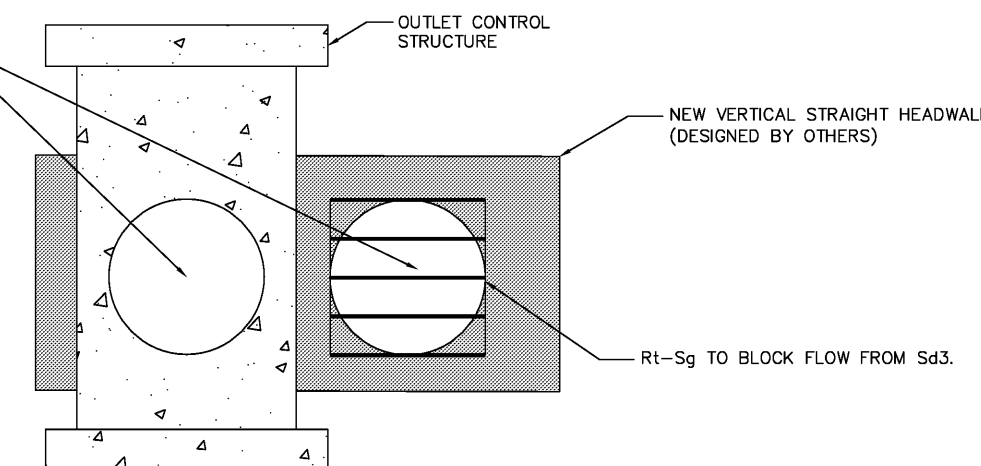
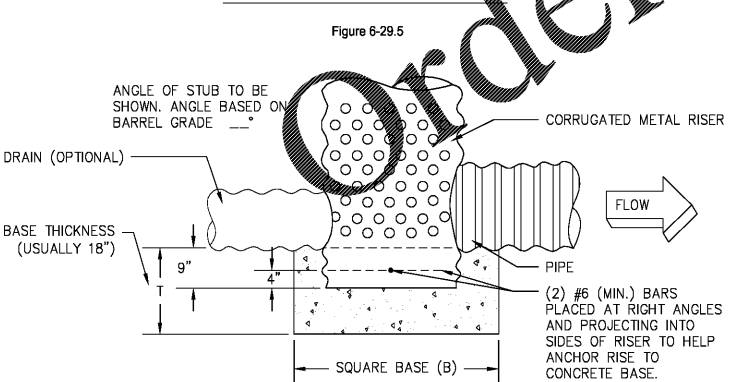
Sd3 SEDIMENT BASIN BAFFLES CONT'D
Figure 6-29.2



Sd3 TEMPORARY SEDIMENT POND TYPICAL TRASH RACK
Figure 6-29.4



Sd3 TEMPORARY SEDIMENT BASIN CONCRETE RISER BASE DETAIL
Figure 6-29.5



REVISIONS			
No.	Description	Date	By

Project Name: **APRON EXPANSION PROJECT**

Sheet Name: **ES&PCP DETAILS NO. 3**

GDOT Project Number: APXXX-XXXX-XX(XXX)	Holt Project Number: GAxxxx-xx
Designer: W. MCNAMARA	Technician: B. GARROW
Checked by: D. SKURKY	
CAD File: CX07 Erosion Details.dwg	Submittal / Issue Date: FEBRUARY, 2020
Plotted: Feb 17, 2020 - 8:21am by GeorgeSumas	Drawing Number: CE 5.03
Scale: N.T.S.	

ES&PCP PREPARER:
AULICK ENGINEERING
1900 CENTURY PLACE
N.E. SUITE 305
CHAMBLEE, GA
(678)825-8196

WWW.LDILINE.COM

Order Plans @