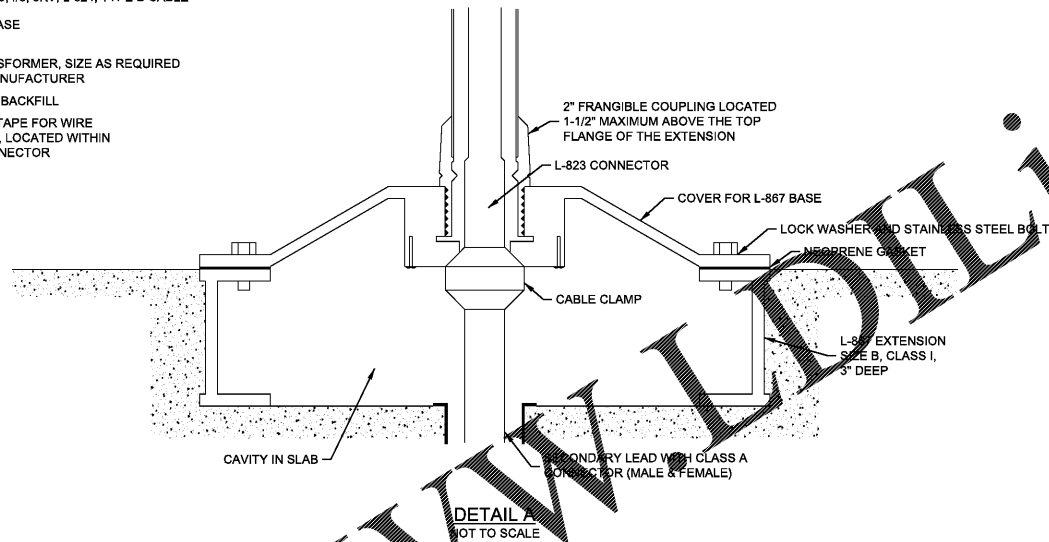
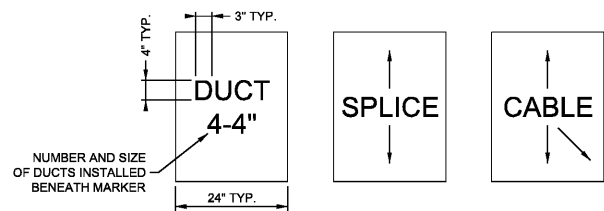


- NOTES:
- L-867 BASE WILL REQUIRE GROUNDING STAKE.
  - NUMBER AND SPACING OF LEGS AS PER MANUFACTURER'S REQUIREMENTS.

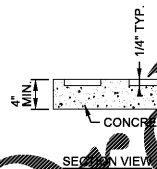
**GUIDANCE / DIRECTION SIGN DETAIL**  
NOT TO SCALE



**CONDUIT TRENCH DETAIL**  
NOT TO SCALE

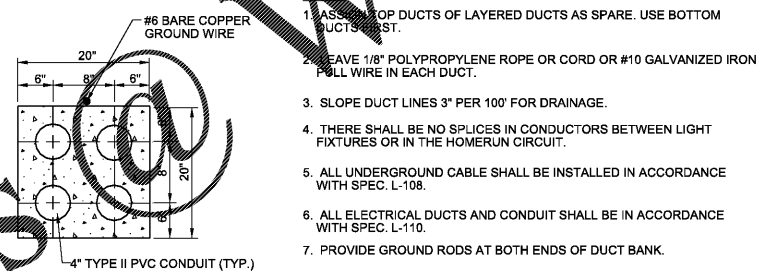


**PLAN VIEWS**

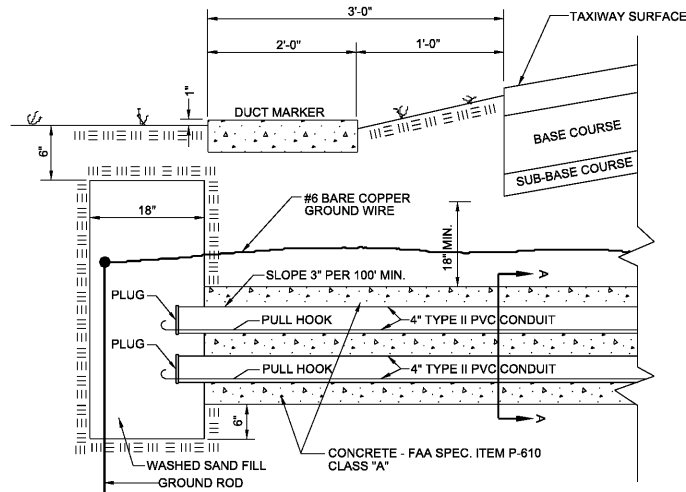


**DUCT / CABLE MARKER DETAIL**  
NOT TO SCALE

- NOTES:
- PLACE MARKERS PER SPECIFICATION L-100.
  - COST OF CONCRETE MARKERS SHALL BE INCIDENTAL TO THE ASSOCIATED ITEMS OF DUCT OR CABLE.
  - EDGE EXPOSED CONCRETE WITH A 1/4\"/>

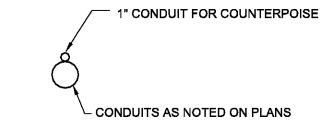


**SECTION A-A**

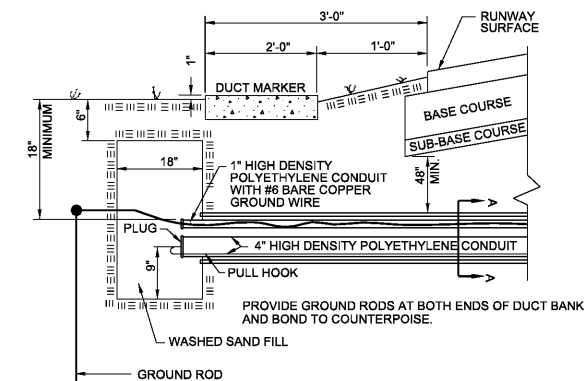


**4-WAY, 4\"/>**

- NOTES:
- LEAVE 1/8\"/>



**SECTION A-A**



**1-WAY, 4\"/>**

REV.	DR.	CHK.	DATE	DESCRIPTION