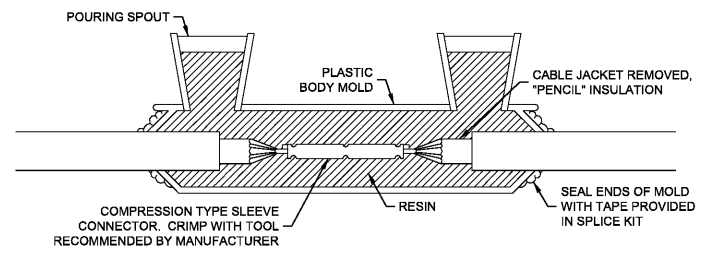


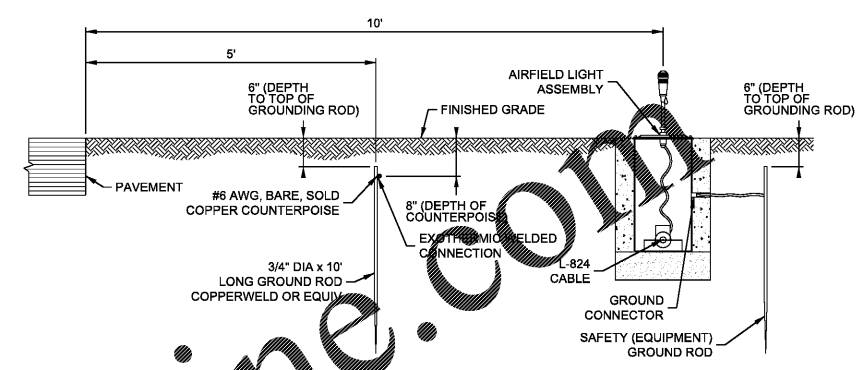
TYPE C
FOR SPLICES AT LIGHTS



NOTE:
CONNECTION OF CONDUCTORS MUST BE MADE BY USING CRIMP CONNECTORS AND A CRIMPING TOOL APPROVED BY THE CONNECTOR/LUG MANUFACTURER. THE TOOL MUST PRODUCE A COMPLETE CRIMP BEFORE IT CAN BE REMOVED. THE CRIMPING TOOL USED MUST BE LISTED BY THE L-823 KIT MANUFACTURER. MAKE THE NUMBER AND TYPE OF CRIMPS PER THE KIT MANUFACTURER'S INSTRUCTIONS.

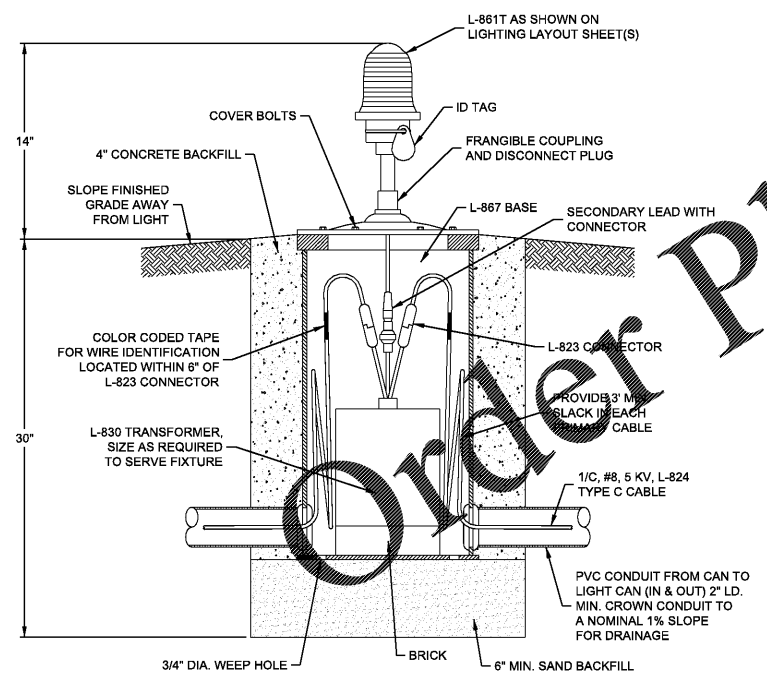
TYPE A
FOR SPLICES IN HOMERUNS AND FOR EXTENSIONS TO EXISTING CABLE ONLY

CABLE SPLICES AND CONNECTOR(S) DETAIL
NOT TO SCALE

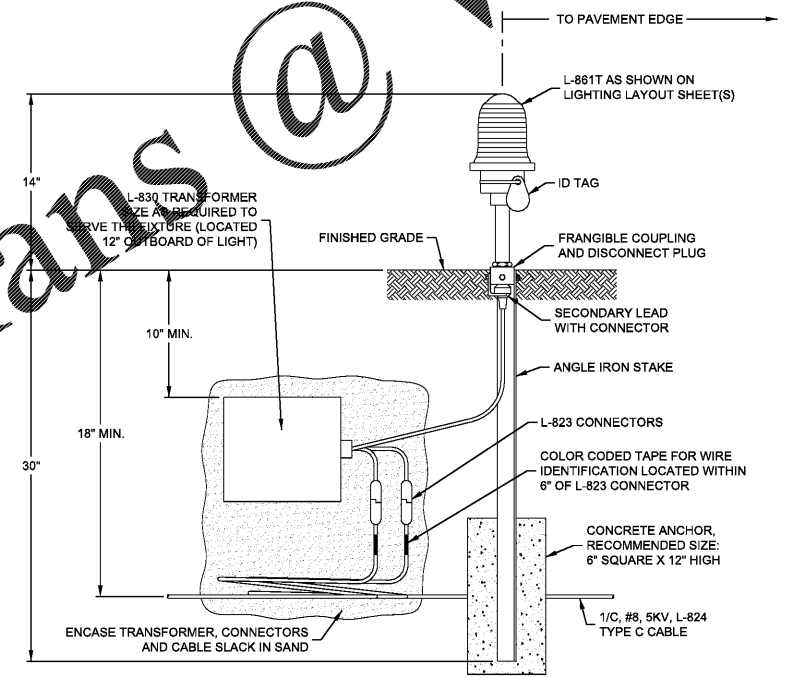


- NOTES:**
- TYPE AND MINIMUM NUMBER OF GROUND RODS ARE AS SPECIFIED ON THE PLAN.
 - INSTALL GROUND ROD AT MAXIMUM 500' SPACING. USE GROUND ROD TO TERMINATE THE COUNTERPOISE AT BOTH ENDS OF DUCT BANKS.
 - COST OF GROUND RODS SHALL BE INCIDENTAL TO THE ASSOCIATED ITEMS REQUIRING GROUNDING UNLESS OTHERWISE SPECIFIED.
- THE NUMBER OF GROUND RODS IS SITE SPECIFIC AND MAY DEPEND ON SOIL RESISTIVITY.

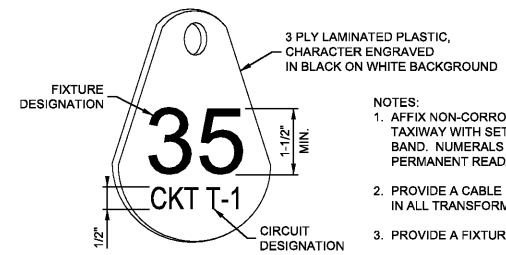
WIRE/COUNTERPOISE LOCATION DETAIL
NOT TO SCALE



BASE MOUNTED LIGHT DETAIL
NOT TO SCALE

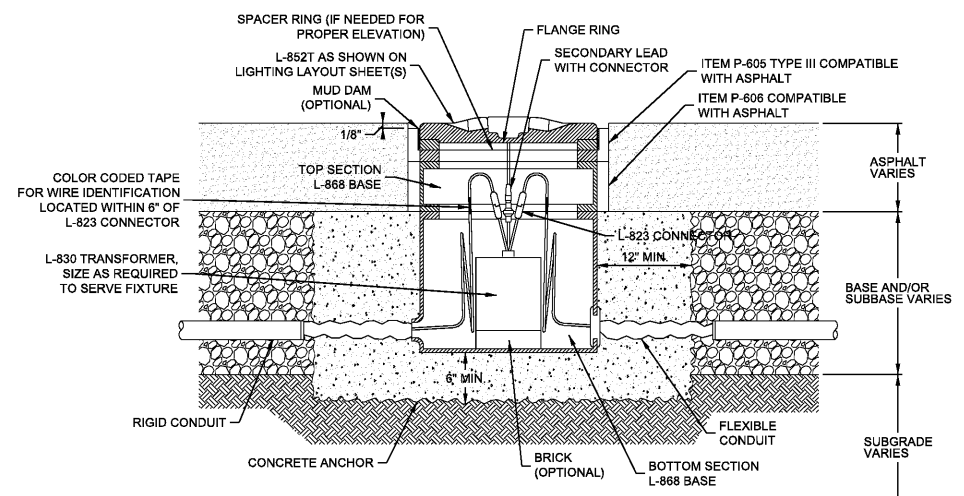


STAKE MOUNTED LIGHT DETAIL
NOT TO SCALE



- NOTES:**
- AFFIX NON-CORROSIVE TAG TO FIXTURE FACING TAXIWAY WITH SET SCREW, WIRE TIE, OR METAL BAND. NUMERALS SHALL BE ENGRAVED FOR PERMANENT READABILITY.
 - PROVIDE A CABLE ID TAG ON ALL NEW CABLES IN ALL TRANSFORMER BASES AND PULLBOXES.
 - PROVIDE A FIXTURE ID TAG ON EACH FIXTURE.

TAG DETAIL
NOT TO SCALE



- NOTE:**
- FLEXIBLE CONDUIT MAY BE CONNECTED TO THE BASE EITHER THROUGH A HUB OR GROMMET.

FLUSH MOUNTED LIGHT DETAIL (ALTERNATE #1)
NOT TO SCALE

REV.	DR.	CHK.	BY.	ISSUED FOR BID