

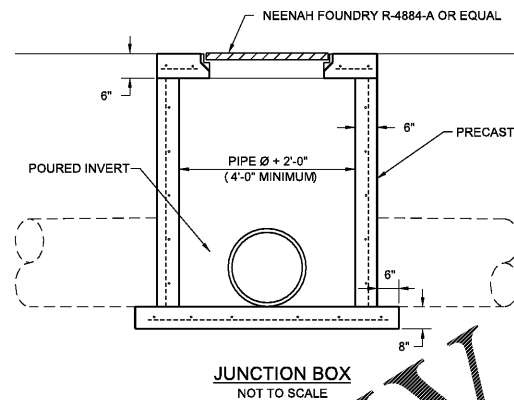
**NOTES:**

1. WIDTH OF THE TRENCH AT ANY POINT BELOW 6" ABOVE THE TOP OF THE PIPE SHALL BE SUFFICIENT TO PROVIDE ADEQUATE ROOM FOR JOINING THE PIPE AND FILLING AND COMPACTING THE SIDE FILLS. HOWEVER, IN NO CASE SHALL THIS WIDTH EXCEED THE OUTSIDE PIPE DIAMETER PLUS 2'-0".
2. TRENCH EXCAVATION FROM 6" ABOVE THE TOP OF THE PIPE MAY BE AS WIDE AS NECESSARY EXCEPT AS RESTRICTED BY THE LIMITS OF THE RIGHT-OF-WAY OR EASEMENT AND AS REQUIRED TO PROTECT EXISTING STRUCTURES AND CONDUITS.
3. INITIAL BACKFILL - GENERALLY, MATERIAL OBTAINED FROM THE TRENCH EXCAVATION. SOIL TYPES OF HIGHLY ORGANIC SOILS OR HIGHLY PLASTIC EXPANSIVE CLAYS SHALL NOT BE USED. INITIAL BACKFILL SHALL BE COMPACTED TO UNIFORMLY DEVELOP LATERAL SOIL FORCES DURING THE BACKFILL OPERATION.
4. FINAL BACKFILL - GENERALLY, MATERIAL OBTAINED FROM THE TRENCH EXCAVATION WITH MAXIMUM SIZE OF STONE NOT TO EXCEED SIX (6") INCHES.

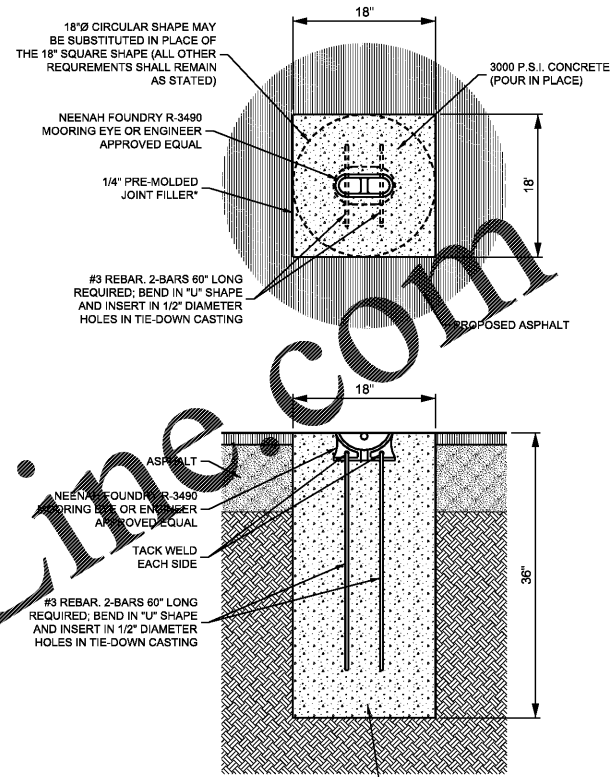
**TRENCH DETAIL**  
NOT TO SCALE

**NOTES:**

1. ALL CONCRETE SHALL BE 3000 PSI 28 DAY COMPRESSIVE STRENGTH.
2. ALL REINFORCING STEEL SHALL BE GRADE 60 ASTM A615 OR A617.
3. ALL REINFORCING STEEL AND ACCESSORIES SHALL BE DETAILED, FABRICATED AND PLACED IN ACCORDANCE WITH THE LATEST EDITION OF THE ACI MANUAL, "MANUAL OF STANDARD PRACTICE FOR DETAILING REINFORCED CONCRETE STRUCTURES."
4. REINFORCING SHALL BE #4 BARS AT 12" ON CENTER EACH WAY IN ALL WALLS AND SLABS.
5. SURROUND EACH JUNCTION BOX WITH A SEDIMENT BARRIER UNTIL THE PAVEMENT IS IN PLACE.

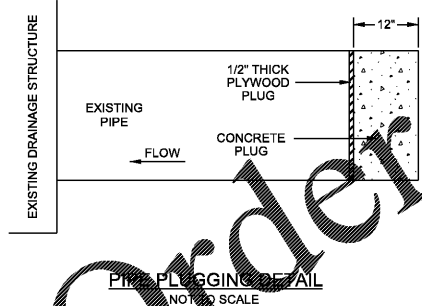


**JUNCTION BOX**  
NOT TO SCALE

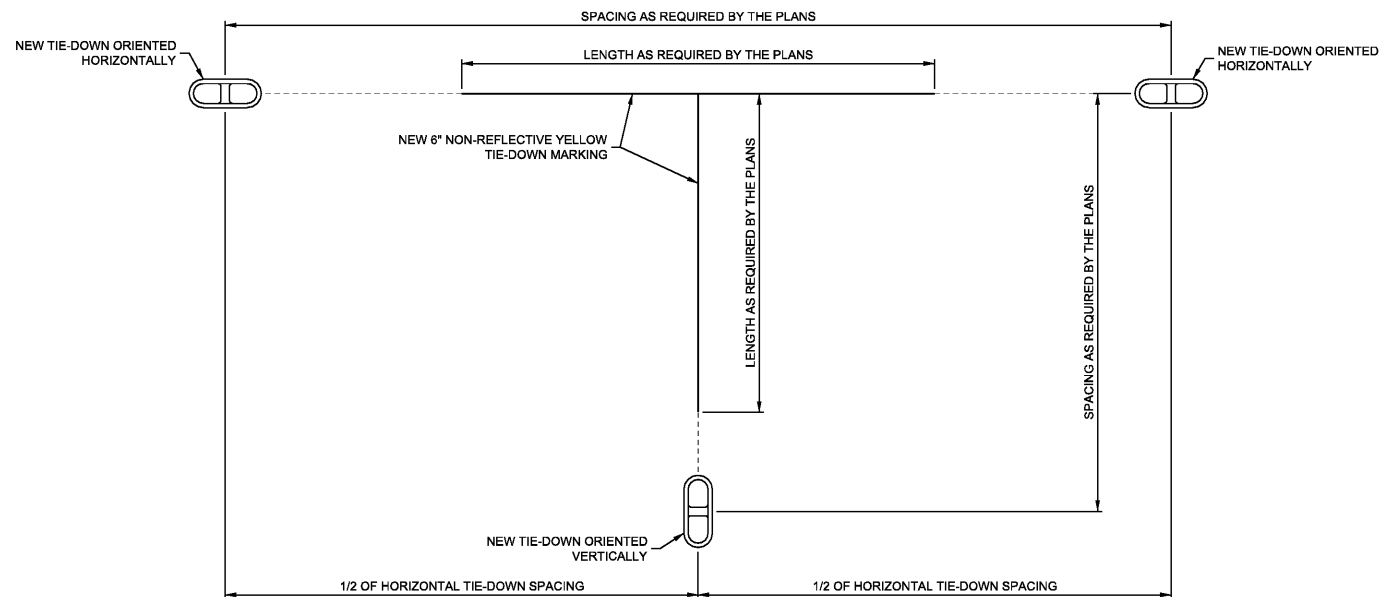


\*NOTE:  
1/4" PRE-MOLDED JOINT FILLERS ARE TO BE CONSIDERED INCIDENTAL TO THE PROJECT AND WILL NOT BE PAID FOR AS INDIVIDUAL PAY ITEMS.

**TIE-DOWN DETAIL**  
NOT TO SCALE



**PIPE PLUGGING DETAIL**  
NOT TO SCALE



**TIE-DOWN ORIENTATION DETAIL**  
NOT TO SCALE



**DETAILS**

GDOT PROJ. NO. XXX-XXXX-XX(XXX) HOUSTON  
PERRY-HOUSTON COUNTY AIRPORT  
PERRY, GEORGIA

REV.	DR.	CHK.	ISSUED FOR 100% REVIEW
	JEC	KFW	2-15-2019
	JEC	KFW	5-23-2019
	JEC	KFW	7-12-2019

**C7.02**

FILE NO. 36206-05