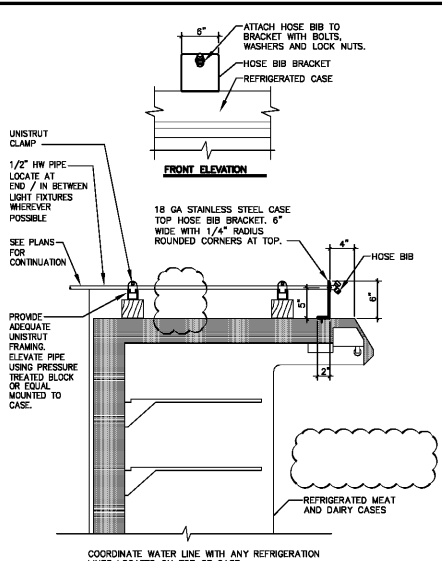


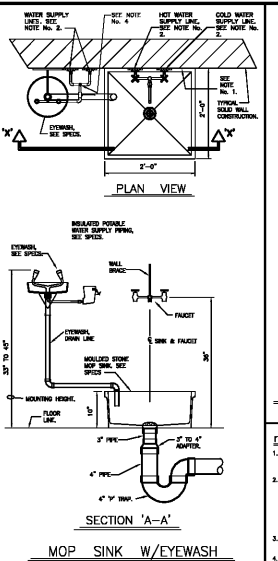
- general notes:**
1. SLOPE FLOOR TO FLOOR DRAIN AS INDICATED ON CONCRETE PLACEMENT PLAN.
  2. REFER TO BUILDING SPECIFICATION SECTION 22 13 00 FOR APPROVED PIPING MATERIAL.
  3. REFER TO BUILDING PLAN FOR LOCATIONS AND SIZES OF DRAINS AND PIPING.
  4. TYPICALLY 1" BUT MAXIMUM 1 1/2" IF PERMITTED BY LOCAL PLUMBING INSPECTOR TO FACILITATE CONDENSATE DRAIN INSTALLATION.

CONDENSATE DRAIN DETAIL DATE: 11/15/17 SCALE: NONE DRAWN: ZAW  
 MASTER SPECIFICATION DETAIL PSD-1  
 ORIGINAL ISSUE DATE: 2/20/08



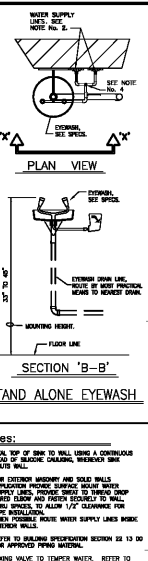
- general notes:**
1. 1/2" HW PIPE LOCATE AT END / IN BETWEEN LIGHT FIXTURES WHEREVER POSSIBLE.
  2. SEE PLANS FOR CONTINUATION.
  3. PROVIDE ADEQUATE UNISTRUT FRAMING ELIMATE PIPE USING PRESSURE TREATED BLOCK OR EQUAL MOUNTED TO CASE.
  4. ATTACH HOSE BIB TO BRACKET WITH BOLTS, WASHERS AND LOCK NUTS. HOSE BIB BRACKET REFRIGERATED CASE.
  5. 18 GA STAINLESS STEEL CASE TOP HOSE BIB BRACKET, 6" WIDE WITH 1/4" RADIUS ROUNDED CORNERS AT TOP.
  6. COORDINATE WATER LINE WITH ANY REFRIGERATION LINES LOCATED ON TOP OF CASE.

HOSE BIB LOCATION AT REFRIGERATED CASE DATE: 3/31/17 SCALE: NONE DRAWN: ZAW  
 MASTER SPECIFICATION DETAIL PSD-21



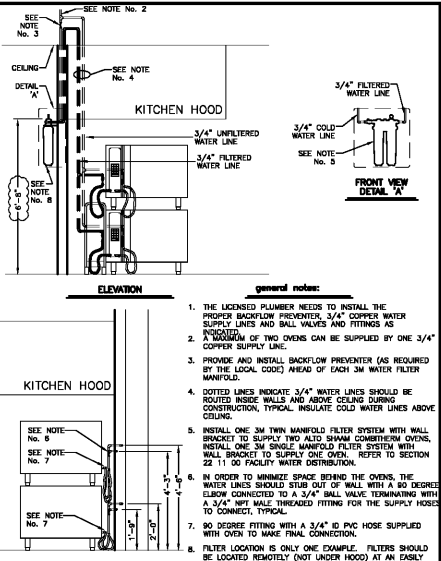
- notes:**
1. SEAL TOP OF SINK TO WALL USING A CONTIGUOUS ADHESIVE.
  2. FOR EXTERIOR MOPPING AND WASH WALLS APPLICATION PROVIDE SURFACE COATING WITH SLOPE AWAY FROM SINK TO PREVENT WATER FROM FLOOR AND FURNISH SCHEDULE TO WALL. THIS SHALL BE ALUM 1/2" GALVANIZED STEEL SHEET OR ALUM 1/2" GALVANIZED STEEL SHEET WITH 1/2" GALVANIZED STEEL SHEET.
  3. REFER TO BUILDING SPECIFICATION SECTION 22 13 00 FOR APPROVED PIPING MATERIAL.
  4. MOPPING VALVE TO TEMPER WATER. REFER TO BUILDING SPECIFICATION SECTION 22 11 00.

MOP SINK W/EYEWASH DATE: 5/31/12 SCALE: NONE DRAWN: ZAW  
 MASTER SPECIFICATION DETAIL PSD-22



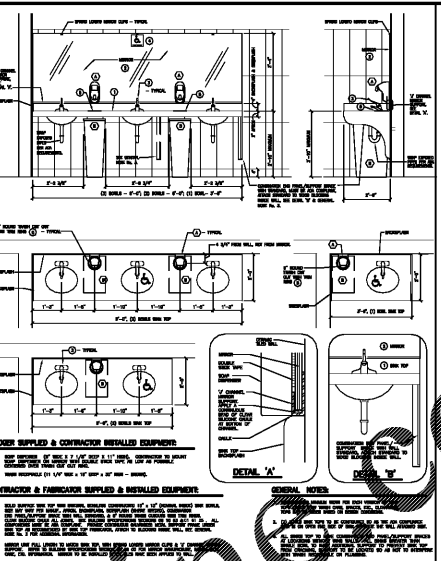
- notes:**
1. SEAL TOP OF SINK TO WALL USING A CONTIGUOUS ADHESIVE.
  2. FOR EXTERIOR MOPPING AND WASH WALLS APPLICATION PROVIDE SURFACE COATING WITH SLOPE AWAY FROM SINK TO PREVENT WATER FROM FLOOR AND FURNISH SCHEDULE TO WALL. THIS SHALL BE ALUM 1/2" GALVANIZED STEEL SHEET OR ALUM 1/2" GALVANIZED STEEL SHEET WITH 1/2" GALVANIZED STEEL SHEET.
  3. REFER TO BUILDING SPECIFICATION SECTION 22 13 00 FOR APPROVED PIPING MATERIAL.
  4. MOPPING VALVE TO TEMPER WATER. REFER TO BUILDING SPECIFICATION SECTION 22 11 00.

STAND ALONE EYEWASH DATE: 5/31/12 SCALE: NONE DRAWN: ZAW  
 MASTER SPECIFICATION DETAIL PSD-22



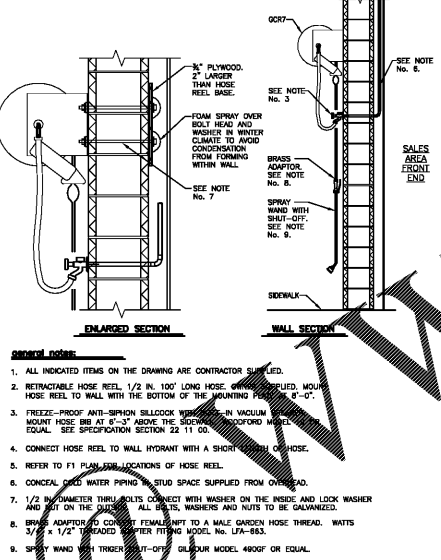
- general notes:**
1. THE LICENSED PLUMBER NEEDS TO INSTALL THE PROPER BACKFLOW PREVENTER, 3/4" COPPER WATER SUPPLY LINES AND BALL VALVES AND FITTINGS AS REQUIRED.
  2. A MINIMUM OF TWO OVEN CAN BE SUPPLIED BY ONE 3/4" COPPER SUPPLY LINE.
  3. PROVIDE AND INSTALL BACKFLOW PREVENTER (AS REQUIRED BY THE LOCAL CODE) AHEAD OF EACH 3/4" WATER FILTER MANDATED.
  4. DOTTED LINES INDICATE 3/4" WATER LINES SHOULD BE ROUTED INSIDE WALLS AND ABOVE CEILING DURING CONSTRUCTION. TYPICAL INSULATE COLD WATER LINES ABOVE CEILING.
  5. INSTALL ONE 3/4" WPM MANIFOLD FILTER SYSTEM WITH BALL BRACKET TO SUPPLY TWO ALTO SHAAM COMBI OVEN. INSTALL ONE 3/4" WPM MANIFOLD FILTER SYSTEM WITH BALL BRACKET TO SUPPLY ONE OVEN. REFER TO SECTION 22 11 00 FOR FILTER WATER DISTRIBUTION.
  6. IN ORDER TO MINIMIZE SPACE BEHIND THE OVEN, THE WATER LINES SHOULD STAY OUT OF WALL WITH A 90 DEGREE ELBOW CONNECTED TO A 3/4" BALL VALVE TOWARDING WITH A 3/4" NPT MALE THREADED FITTING FOR THE SUPPLY HOSE TO CONNECT TYPICAL.
  7. 90 DEGREE FITTING WITH 3/4" ID PVC HOSE SUPPLIED WITH OVEN TO MAKE FINAL CONNECTION.
  8. FILTER LOCATION IS ONLY ONE EXAMPLE. FILTERS SHOULD BE LOCATED NEARLY (OUT UNDER HOOD) AT AN EASILY ACCESSIBLE LOCATION. REFER TO PLUMBING PLAN FOR EXACT LOCATION.

WATER SUPPLY LINES FOR STACKED ALTO SHAAM COMBI OVEN DATE: 11/16/18 SCALE: NONE DRAWN: ZAW  
 MASTER SPECIFICATION DETAIL PSD-23A



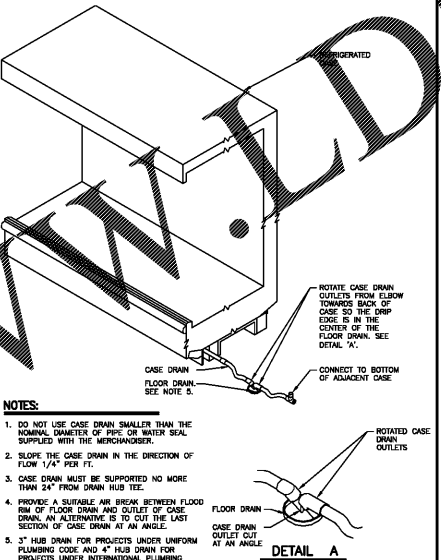
- general notes:**
1. THE LICENSED PLUMBER NEEDS TO INSTALL THE PROPER BACKFLOW PREVENTER, 3/4" COPPER WATER SUPPLY LINES AND BALL VALVES AND FITTINGS AS REQUIRED.
  2. A MINIMUM OF TWO OVEN CAN BE SUPPLIED BY ONE 3/4" COPPER SUPPLY LINE.
  3. PROVIDE AND INSTALL BACKFLOW PREVENTER (AS REQUIRED BY THE LOCAL CODE) AHEAD OF EACH 3/4" WATER FILTER MANDATED.
  4. DOTTED LINES INDICATE 3/4" WATER LINES SHOULD BE ROUTED INSIDE WALLS AND ABOVE CEILING DURING CONSTRUCTION. TYPICAL INSULATE COLD WATER LINES ABOVE CEILING.
  5. INSTALL ONE 3/4" WPM MANIFOLD FILTER SYSTEM WITH BALL BRACKET TO SUPPLY TWO ALTO SHAAM COMBI OVEN. INSTALL ONE 3/4" WPM MANIFOLD FILTER SYSTEM WITH BALL BRACKET TO SUPPLY ONE OVEN. REFER TO SECTION 22 11 00 FOR FILTER WATER DISTRIBUTION.
  6. IN ORDER TO MINIMIZE SPACE BEHIND THE OVEN, THE WATER LINES SHOULD STAY OUT OF WALL WITH A 90 DEGREE ELBOW CONNECTED TO A 3/4" BALL VALVE TOWARDING WITH A 3/4" NPT MALE THREADED FITTING FOR THE SUPPLY HOSE TO CONNECT TYPICAL.
  7. 90 DEGREE FITTING WITH 3/4" ID PVC HOSE SUPPLIED WITH OVEN TO MAKE FINAL CONNECTION.
  8. FILTER LOCATION IS ONLY ONE EXAMPLE. FILTERS SHOULD BE LOCATED NEARLY (OUT UNDER HOOD) AT AN EASILY ACCESSIBLE LOCATION. REFER TO PLUMBING PLAN FOR EXACT LOCATION.

SOLID SURFACE TOP WITH SINKS DATE: 9/12/18 SCALE: NONE DRAWN: ZAW  
 MASTER SPECIFICATION DETAIL PSD-50



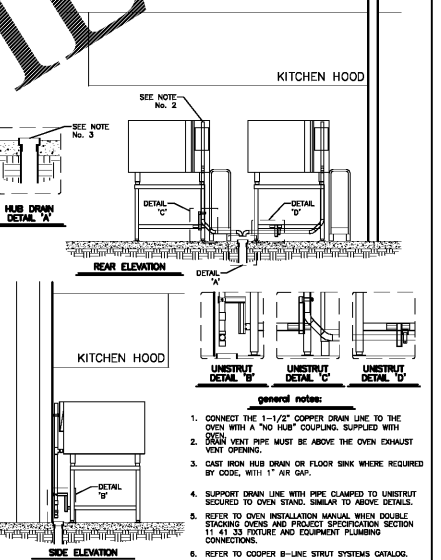
- general notes:**
1. ALL INDICATED ITEMS ON THE DRAWING ARE CONTRACTOR SUPPLIED.
  2. RETRACTABLE HOSE REEL, 1/2 IN. 100' LONG HOSE, 3/4" HOSE REEL TO WALL WITH THE BOTTOM OF THE HOSE REEL, 8" C.C.
  3. FREEZE-PROOF ANTI-SPIRION SILICOON WIPER IN VACUUM MOUNT HOSE BIB AT 6"-3" ABOVE THE SECOND FLOOR MODEL. TYPICAL. SEE SPECIFICATION SECTION 22 11 00.
  4. CONNECT HOSE REEL TO WALL HYDRANT WITH A SHORT 1/2" HOSE.
  5. REFER TO F1 PLAN FOR LOCATIONS OF HOSE REEL.
  6. CONICAL OVEN WATER PIPING. GIVE SPACE SUPPLIED FROM OVEN.
  7. 1/2 IN. DIAMETER THRU-BOLTS CONNECT WITH WASHER ON THE HOSE AND LOCK WASHER AND SET ON THE OUTLET. ALL BOLTS, WASHERS AND NUTS TO BE GALVANIZED.
  8. BRASS ADAPTOR TO CONNECT FEMALE NPT TO A MALE GARDEN HOSE THREAD. WAITS 3/4" x 1/2" THREADED. SUPPLIER FITTING MODEL NO. L24-883.
  9. SPLIT WAND WITH THERM-IT-OFF. GARDNER MODEL 4950F OR EQUAL.

OUTDOOR FLORAL HOSE REEL DATE: 5/11/15 SCALE: NONE DRAWN: TAW/ZAW  
 MASTER SPECIFICATION DETAIL PSD-107



- NOTES:**
1. DO NOT USE CASE DRAIN SMALLER THAN THE NOMINAL DIAMETER OF PIPE OR WATER SEAL SUPPLIED WITH THE MERCHANDISER.
  2. SLOPE THE CASE DRAIN IN THE DIRECTION OF FLOW 1/4" PER FT.
  3. CASE DRAIN MUST BE SUPPORTED NO MORE THAN 24" FROM DRAIN HUB TIE.
  4. PROVIDE A SUFFICIENT AIR BREAK BETWEEN FLOOR FINN OF FLOOR DRAIN AND OUTLET OF CASE DRAIN. AN ALTERNATIVE IS TO CUT THE LAST SECTION OF CASE DRAIN AT AN ANGLE.
  5. 3" HUB DRAIN FOR PROJECTS UNDER UNIFORM PLUMBING CODE AND 4" HUB DRAIN FOR PROJECTS UNDER INTERNATIONAL PLUMBING CODE.

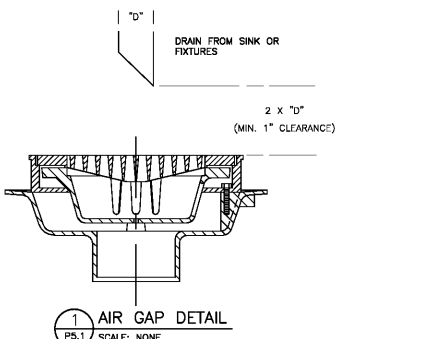
CASE DRAIN DETAIL DATE: 10/11/12 SCALE: NONE DRAWN: ZAW  
 MASTER SPECIFICATION DETAIL PSD-1



- general notes:**
1. CONNECT THE 1-1/2" COPPER DRAIN LINE TO THE OVEN WITH A TWO HUB COUPLING SUPPLIED WITH VENT OPENING.
  2. DRAIN VENT PIPE MUST BE ABOVE THE OVEN EXHAUST VENT OPENING.
  3. CAST IRON HUB DRAIN OR FLOOR SINK WHERE REQUIRED BY CODE, WITH 1" AIR GAP.
  4. SUPPORT DRAIN LINE WITH PIPE CLAMPED TO UNISTRUT SECURED TO OVEN STAND, SIMILAR TO ABOVE DETAILS.
  5. REFER TO OVEN INSTALLATION MANUAL WHICH DOUBLE STACKING OVENS AND PROJECT SPECIFICATION SECTION CONNECTIONS.
  6. REFER TO COOPER B-LINE STRUT SYSTEMS CATALOG.

DRAIN LINES FOR ALTO SHAAM COMBI OVEN DATE: 1/28/16 SCALE: NONE DRAWN: TAW / ZAW  
 MASTER SPECIFICATION DETAIL PSD-2

Order Plans



AIR GAP DETAIL DATE: 10/11/12 SCALE: NONE DRAWN: ZAW  
 MASTER SPECIFICATION DETAIL PSD-1

PLUMBING LEGEND			
SYMBOLS & ABBREV	LEGEND	SYMBOLS & ABBREV	LEGEND
SAN	SOIL OR WASTE PIPING ABOVE FLOOR	C.V.	CHECK VALVE
FA	FRESH AIR PIPING	PRV	PRESSURE REDUCING VALVE
GW	GREASE WASTE LINE	UNION	UNION
SW	SOIL OR WASTE PIPING BELOW FLOOR	SA	SHOCK ABSORBER
VP	VENT PIPING	N.F.W.H.	NON-FREEZE WALL HYDRANT
ST	STORM SEWER PIPING	CO	FLOOR CLEANOUT
RL	RAIN LEADER	F.S.	FLOOR SINK PSD-168
G	GAS PIPING	F.D.	FLOOR DRAIN
FS	FINE LINE OR STANDPIPE	B.F.	BELOW FLOOR
SP	SPRINKLER LINE	VTR	VENT THRU ROOF
A	AIR PIPING	ATF	ABOVE FINISHED FLOOR
FW	FILTERED WATER	INV	INVERT
TW	TEMPERED WATER	BFP	BACK FLOW PREVENTER
C.W.	COLD WATER SUPPLY	FD-1 & FD-1M	SEE PSD-3, SEE SPECIFICATIONS
H.W.	HOT WATER SUPPLY	FD-2	SEE PSD-2, SEE SPECIFICATIONS
H.W.R.	HOT WATER RECIRCULATING LINE	FD-4	SEE PSD-168, SEE SPECIFICATIONS
P	PIPE RISING - PIPE TURNING DOWN	FD-6	SEE PSD-16, SEE SPECIFICATIONS
B.V.	BALL VALVE	TD	SEE PSD-34, SEE SPECIFICATIONS
G.V.	GATE VALVE	HD	SEE PSD-1, SEE SPECIFICATIONS
		OC	SEE PSD-1, SEE SPECIFICATIONS

**ROBERTSON LOIA ROOF ARCHITECTS & ENGINEERS**  
 3400 Peachtree Ridge Road, Suite 275, Alpharetta, GA, 30008  
 770.674.2497 / rloia@rla.com

**REGISTERED PROFESSIONAL ENGINEER**  
 STATE OF GEORGIA  
 NUMBER: 12,345  
 EXPIRES: 07/12/2020

**REGISTERED PROFESSIONAL ARCHITECT**  
 STATE OF GEORGIA  
 NUMBER: 12,345  
 EXPIRES: 07/12/2020

**Kroger GA-464**  
 4875 Floyd Road  
 Mableton, Georgia 30126  
 FOR: **The Kroger Company**  
 2175 Park Lake Drive, Atlanta, GA

REVISIONS

PLUMBING DETAILS

02-12-20

PROJECT NUMBER: 20-107

PS.1