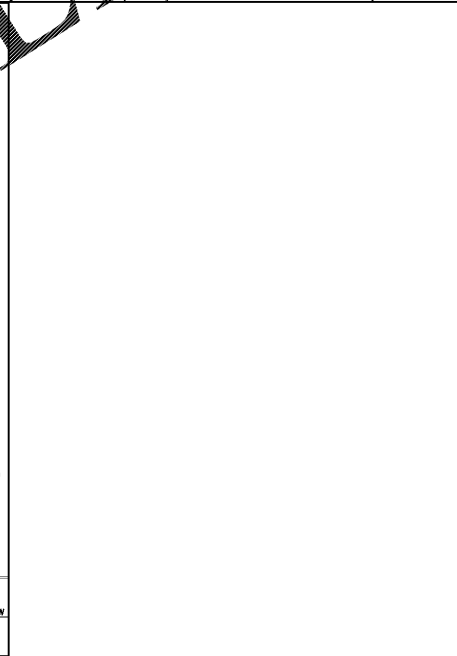
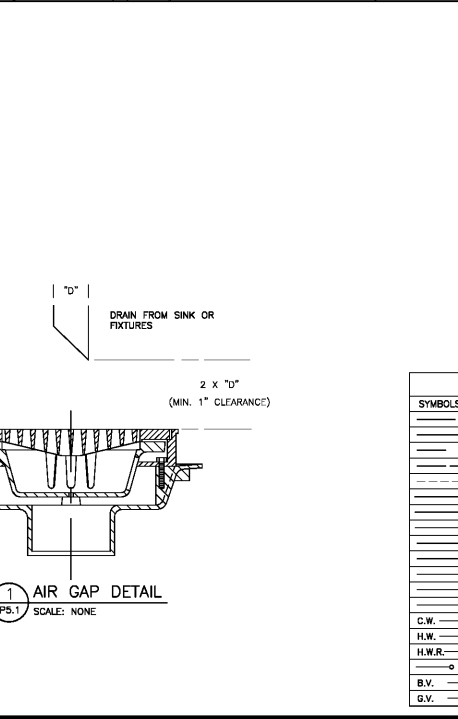
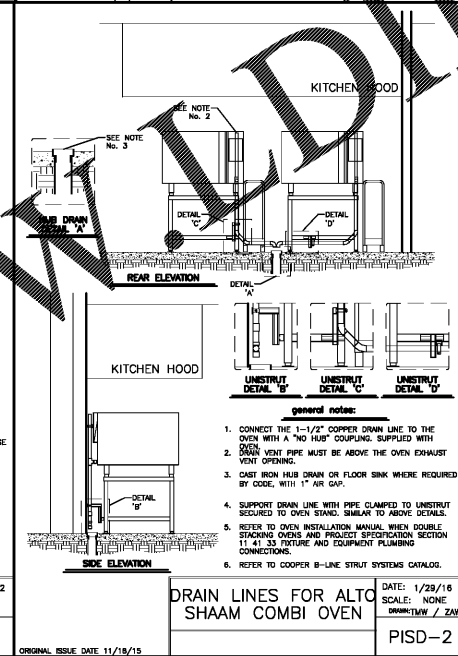
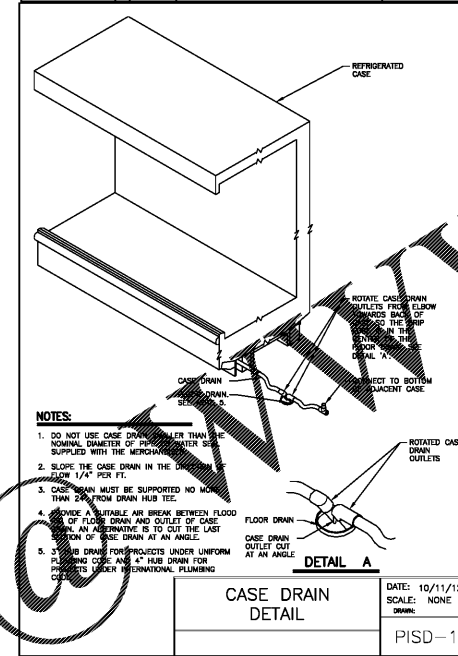
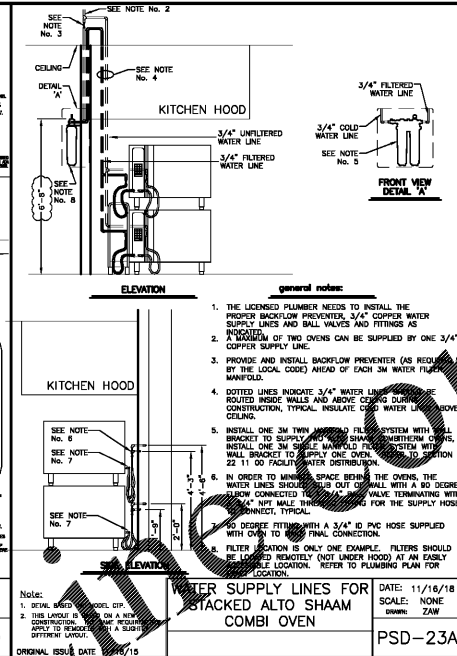
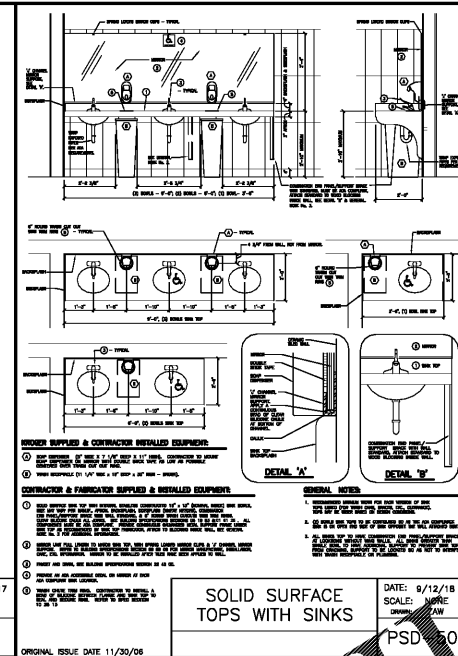
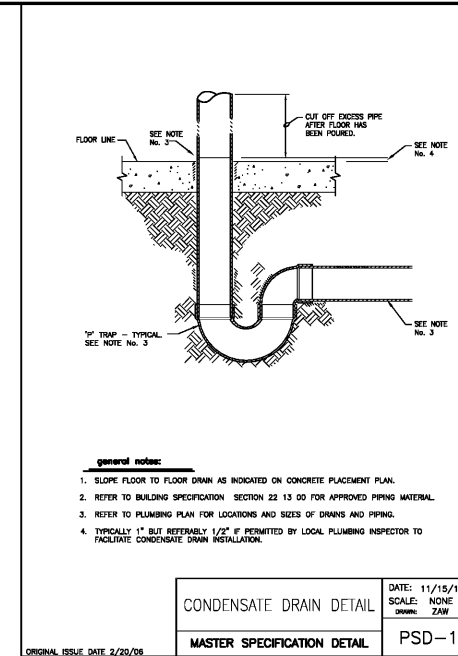


Order Plans



PLUMBING LEGEND			
SYMBOLS & ABBREV	LEGEND	SYMBOLS & ABBREV	LEGEND
SAN	SOIL OR WASTE PIPING ABOVE FLOOR	C.V.	CHECK VALVE
FA	FRESH AIR PIPING	PRV	PRESSURE REDUCING VALVE
GW	GREASE WASTE LINE	U	UNION
SW	SOIL OR WASTE PIPING BELOW FLOOR	SA	SHOCK ABSORBER
V	VENT PIPING	N.F.W.H.	NON-FREEZE WALL HYDRANT
ST	STORM SEWER PIPING	CO	FLOOR CLEANOUT
RL	RAIN LEADER	F.S.	FLOOR SINK PSD-16B
G	GAS PIPING	F.D.	FLOOR DRAIN
FL	FINE LINE OR STANDPIPE	B.F.	BELOW FLOOR
SP	SPRINKLER LINE	VTR	VENT THRU ROOF
A	AIR PIPING	ATF	ABOVE FINISHED FLOOR
FW	FILTERED WATER	INV	INVERT
TW	TEMPERED WATER	BFP	BACK FLOW PREVENTER
C.W.	COLD WATER SUPPLY	FD-1 & FD-1M	SEE PSD-3, SEE SPECIFICATIONS
H.W.	HOT WATER SUPPLY	FD-2	SEE PSD-2, SEE SPECIFICATIONS
H.W.R.	HOT WATER RECIRCULATING LINE	FD-4	SEE PSD-16B, SEE SPECIFICATIONS
P	PIPE RISING - PIPE TURNING DOWN	FD-6	SEE PSD-16, SEE SPECIFICATIONS
B.V.	BALL VALVE	TD	SEE PSD-34, SEE SPECIFICATIONS
G.V.	GATE VALVE	HD	SEE PSD-1, SEE SPECIFICATIONS

ROBERTSON LOIA ROOF ARCHITECTS & ENGINEERS
3400 Preston Ridge Road, Suite 275, Alpharetta, GA, 30005
770.694.3009 / www.rlrpa.com

THE GEORGIA BOARD OF ARCHITECTS
REGISTERED PROFESSIONAL ARCHITECT
03/06/2020

Kroger GA-291
6199 Hwy 92
Acworth, GA 30102
FOR: **The Kroger Company**
2175 Park Lake Drive, Atlanta, GA

REVISIONS

PLUMBING DETAILS

03-06-20

PROJECT NUMBER: 20-108

PS.1