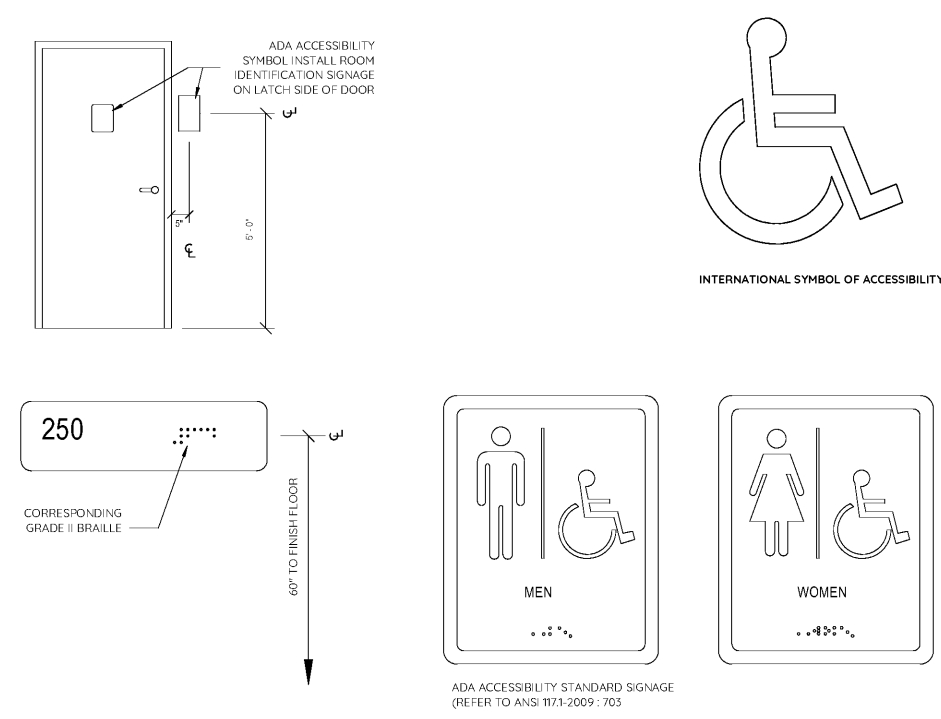


**GENERAL ACCESSIBILITY NOTES**

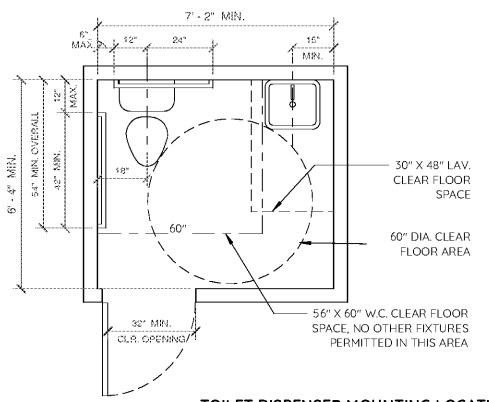
- ACCESSIBLE ROUTES SHALL BE IN ACCORDANCE WITH THE FOLLOWING:
  - FLOOR SURFACES SHALL BE SLIP RESISTANT
  - CHANGES IN FLOOR LEVEL UP TO 1/4" MAY BE VERTICAL
  - CHANGES IN FLOOR LEVEL BETWEEN 1/4" TO 1/2" SHALL BE BEVELED WITH A SLOPE NO GREATER THAN 1:2
  - CHANGES IN FLOOR LEVEL GREATER THAN 1/2" SHALL BE ACCOMPLISHED BY A RAMP, CURB RAMP, ELEVATOR, OR PLATFORM LIFT. STAIRS ARE NOT PERMITTED.
- DOOR THRESHOLDS SHALL NOT EXCEED 1/2" FOR SWINGING DOORS.
- DOOR HARDWARE MUST COMPLY WITH THE FOLLOWING REQUIREMENTS:
  - INTERIOR HINGED DOORS SHALL HAVE A MAXIMUM OPENING FORCE OF 5-POUND-FEET.
  - DOOR HARDWARE MUST BE INSTALLED NO HIGHER THAN 48" AND CANNOT REQUIRE TIGHT GRASPING, FINCHING, OR TURNING OF WRIST TO OPERATE.
  - CLOSERS SHALL BE ADJUSTED SO THAT IT TAKES AT LEAST 5 SECONDS FOR A DOOR OPENED 90° TO MOVE TO 12"
  - SPRING HINGES SHALL BE ADJUSTED SO THAT IT TAKES AT LEAST 1.5 SECONDS FOR A DOOR OPENED 70° TO SHUT.
- GRAB BARS MUST BE IN ACCORDANCE WITH THE FOLLOWING:
  - THE DIAMETER OR WIDTH OF A GRAB BAR MUST BE 1-1/4" TO 2"
  - THE GRAB BAR MUST HAVE AT LEAST 1-1/2" CLEARANCE FROM WALL
  - OBSTRUCTIONS ARE NOT PERMITTED WITHIN 1-1/2" OF THE BOTTOM OR SIDES OF THE GRAB BAR OR 12" OF THE TOP OF GRAB BAR.
- GRAB BARS MUST BE CONSTRUCTED SO THAT ALLOWABLE STRESSES CANNOT BE EXCEEDED FOR THE MATERIALS USED WHEN A FORCE 250-POUND-FEET IS APPLIED AT ANY POINT OF THE GRAB BAR, MOUNTING HARDWARE, OR SUPPORTING STRUCTURE. GRAB BARS MUST BE TIGHT IN THEIR FITTINGS AND CANNOT HAVE ANY SHARP EDGES.
- THE MINIMUM CLEAR WIDTH FOR WHEELCHAIR PASSAGE MUST BE AS FOLLOWS:
  - 36" OVERALL FOR A SINGLE WHEELCHAIR
  - 32" FOR A DISTANCE NOT GREATER THAN 24" LONG FOR A SINGLE WHEELCHAIR
  - 60" FOR TWO WHEELCHAIRS PASSING
  - 60" IN DIAMETER FOR A WHEELCHAIR TO MAKE A 180° TURN

EXCEPTION: A 7" INTERSECTION WITHIN A 60" MIN. SQUARE, WITH THE ARMS AND BASE 3/8" MIN. IN WIDTH, EACH ARM OF THE 7" MUST BE CLEAR OF OBSTRUCTIONS 12" MIN. IN EACH DIRECTION, AND THE BASE OF THE 7" MUST BE CLEAR FOR 24"
- THE MINIMUM CLEAR FLOOR SPACE TO ACCOMMODATE A SINGLE WHEELCHAIR MUST BE 30" WIDE BY 48" LONG. THE CLEAR FLOOR SPACE SHALL ADJOIN ANOTHER WHEELCHAIR SPACE OR AN ACCESSIBLE ROUTE.
- REACH DISTANCE REQUIREMENTS ARE IN ACCORDANCE WITH THE FOLLOWING:
  - FOR A FORWARD APPROACH, THE MAXIMUM HIGH REACH IS 48" ABOVE THE FLOOR.
  - FOR A FORWARD APPROACH, THE MINIMUM LOW REACH IS 15" ABOVE THE FLOOR.
  - FOR A PARALLEL APPROACH, THE MAXIMUM HIGH REACH IS 48" ABOVE THE FLOOR.
  - FOR A PARALLEL APPROACH, THE MINIMUM LOW REACH IS 15" ABOVE THE FLOOR.
  - FOR A FORWARD APPROACH, WITH AN OBSTRUCTION, THE CLEAR FLOOR SPACE UNDER THE OBSTRUCTION MUST EXTEND THE FULL WIDTH OF THE OBSTRUCTION. FOR AN OBSTRUCTION 20" OR LESS IN DEPTH, THE MAXIMUM HIGH REACH IS 48". FOR AN OBSTRUCTION GREATER THAN 20" UP TO 25" DEEP, THE MAXIMUM HIGH REACH IS 44".
  - FOR A PARALLEL APPROACH, WITH AN OBSTRUCTION A MAXIMUM OF 34" HIGH AND A MAXIMUM OF 10" DEEP, THE MAXIMUM HIGH REACH IS 48". FOR AN OBSTRUCTION 34" HIGH AND GREATER THAN 10" DEEP, THE MAXIMUM HIGH REACH IS 48". FOR AN OBSTRUCTION 34" HIGH AND GREATER THAN 10" UP TO 24" DEEP, THE MAXIMUM HIGH REACH IS 46".
- TOE CLEARANCE BETWEEN THE FLOOR AND 9" BENEATH AN ELEMENT MUST BE IN ACCORDANCE WITH THE FOLLOWING:
  - THE MAXIMUM DEPTH IS 25"
  - THE MINIMUM DEPTH IS 17"
  - THE MINIMUM WIDTH IS 30"
- KNEE CLEARANCE BENEATH AN ELEMENT BETWEEN 9" ABOVE THE FLOOR AND 27" ABOVE THE FLOOR MUST BE IN ACCORDANCE WITH THE FOLLOWING:
  - THE MAXIMUM DEPTH IS 25" AT A HEIGHT OF 9" ABOVE THE FLOOR
  - THE MINIMUM DEPTH IS 17" AT A HEIGHT OF 9" ABOVE THE FLOOR AND 8" AT A HEIGHT 0 27" ABOVE THE FLOOR.
  - BETWEEN 9" AND 27" ABOVE THE FLOOR, KNEE CLEARANCE CAN BE REDUCED 1" FOR EVERY 6" IN HEIGHT.
  - MINIMUM WIDTH IS 30"

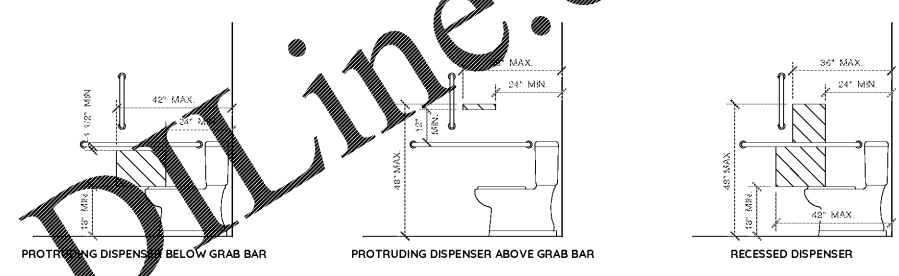
**ADA STANDARD SIGNAGE**



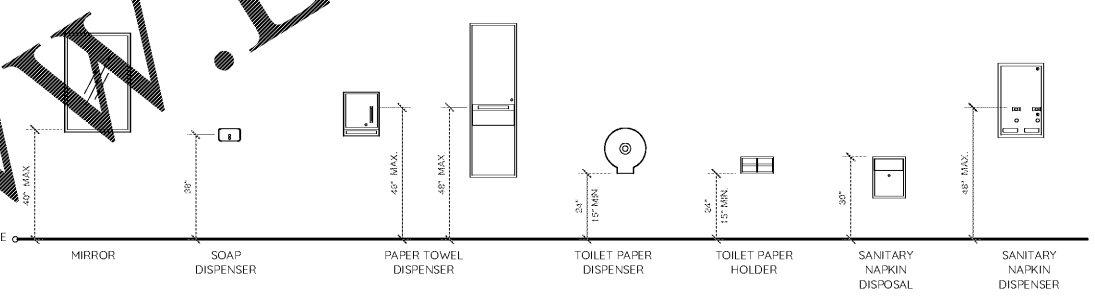
**INDIVIDUAL ACCESSIBLE TOILETS**



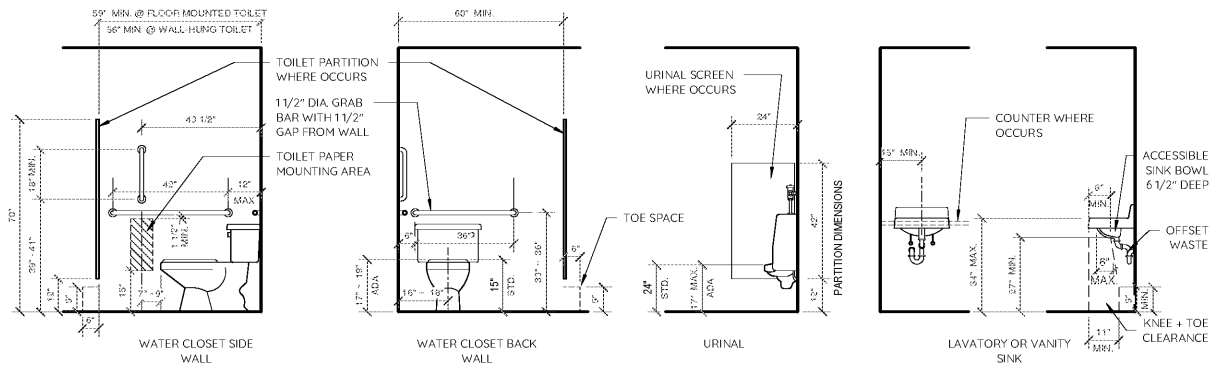
**TOILET DISPENSER MOUNTING LOCATIONS**



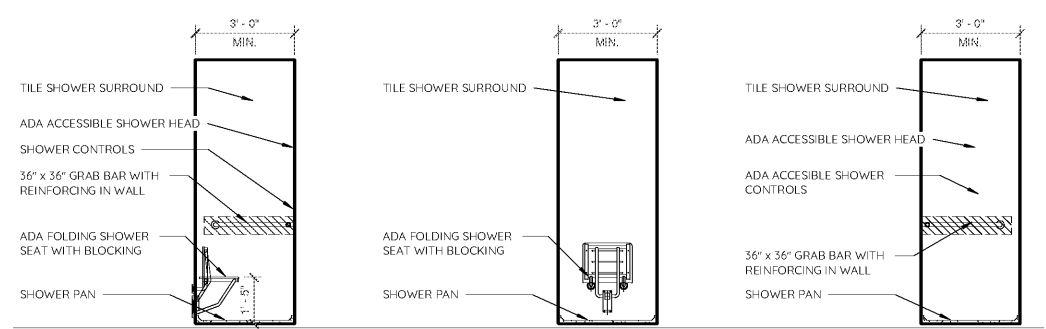
**TYPICAL TOILET ACCESSORIES MOUNTING HEIGHTS**



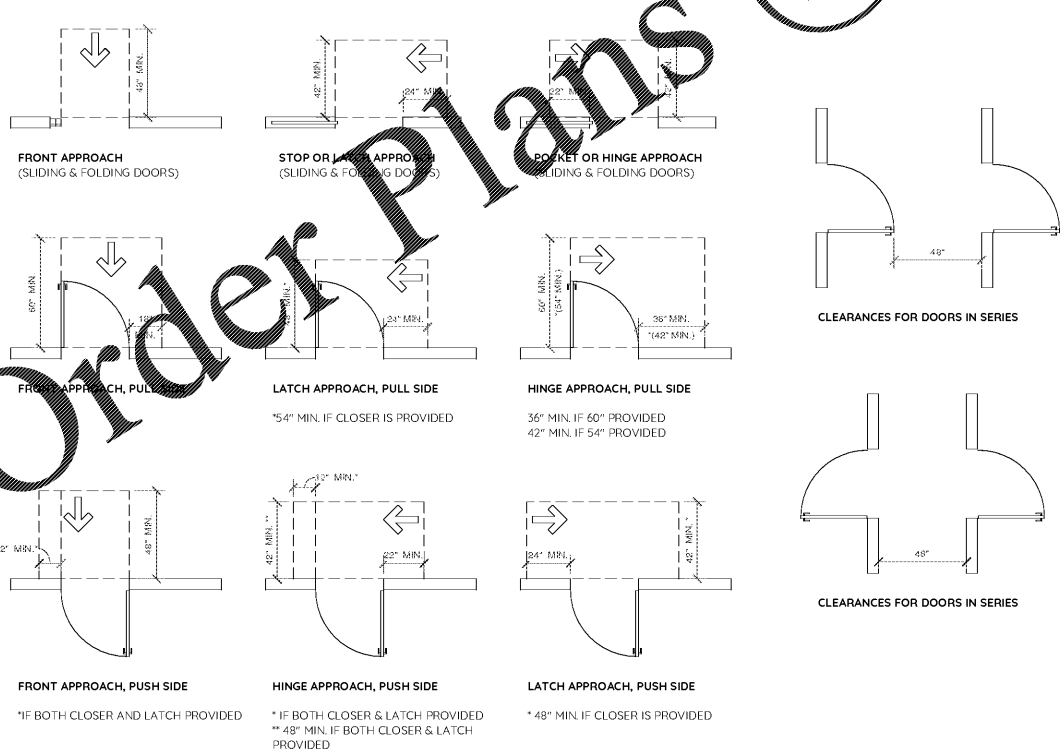
**TYPICAL PLUMBING FIXTURES AND ACCESSORIES MOUNTING HEIGHTS**



**TYPICAL ADA TRANSFER TYPE SHOWER**



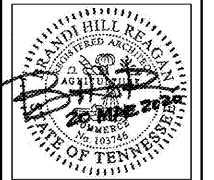
**ADA MANEUVERING CLEARANCES**



**Order Plans**

@

**WWW.LDOnline.com**



**bloom architecture**  
 400 E. Main Street, #215 | Chattanooga, TN 37409  
 design@bloomco.com | 423-505-1951

**5700 BUILDING: INTERIOR RENOVATION**  
 951 EASTGATE LOOP CHATTANOOGA, TN 37411

No.	Description	Date

Project #: 19161  
 20 MAR 2020  
**ADA DETAILS**

**A011**

PERMIT SET