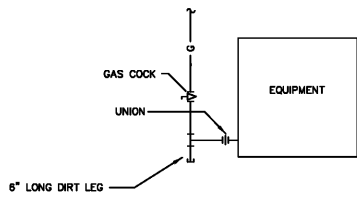
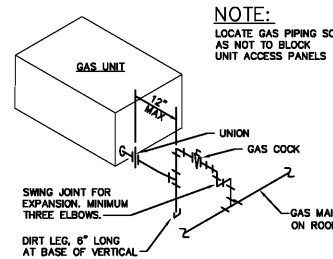


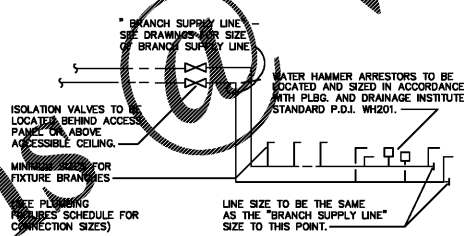
GAS PIPING SUPPORT DETAIL
SCALE: NONE



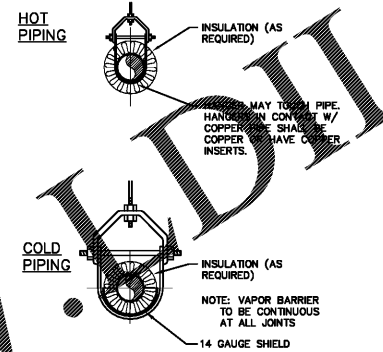
GAS CONNECTION TO EQUIPMENT
SCALE: NONE



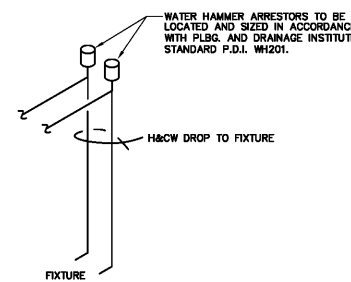
GAS CONN. TO GAS UNIT
NO SCALE



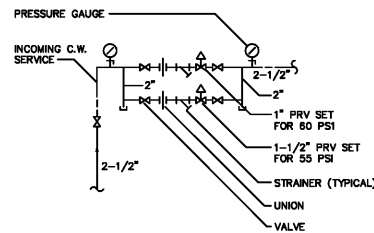
TYPICAL WATER PIPING DETAIL FOR TOILETS
NO SCALE



INSULATED PIPING PROTECTION DETAILS
NO SCALE



TYPICAL WATER PIPING DETAIL FOR SINGLE FIXTURE
NO SCALE

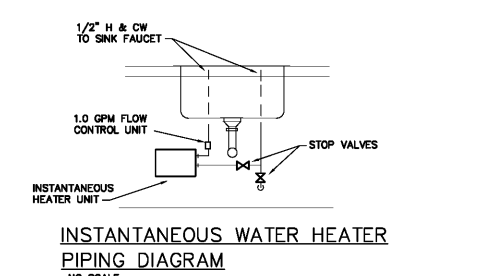


P.R.V. STATION
NO SCALE

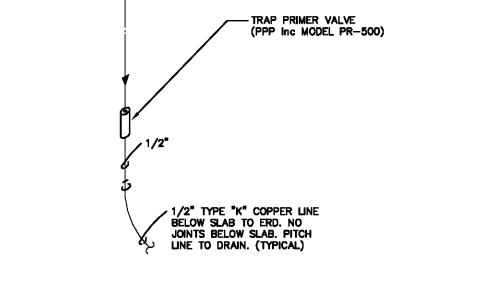
SYMBOLS & ABBREVIATIONS

===== RAIN WATER LEADER (DS) OR STORM
 ----- SOIL OR WASTE ABOVE FLOOR OR CEILING (S OR W)
 ----- SOIL OR WASTE BELOW FLOOR (S OR W)
 ----- VENT (V)
 ----- HOT WATER (HW)
 ----- COLD WATER (CW)
 ----- CIRCULATING HOT WATER (CHW)
 ----- G GAS (G)

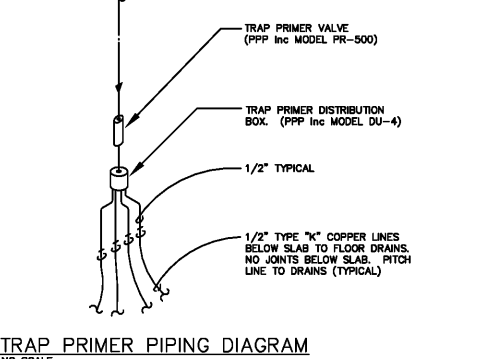
AD AREA DRAIN
 AFF ABOVE FINISHED FLOOR
 AP ACCESS PANEL
 ARV ACID RESISTANT VALVE
 ARW ACID RESISTANT WASTE
 BFP BACK FLOW PREVENTER
 BTU BRITISH THERMAL UNIT
 BV BALL VALVE
 CHK.V CHECK VALVE
 CI CAST IRON
 CLG. CEILING
 CO CLEANOUT
 CT COUNTER TOP
 CW COLD WATER
 DD DECK DRAIN
 DN DOWN
 EDF ELECTRIC DRINKING FOUNTAIN
 ERF EQUIPMENT ROOM DRAIN
 F FIRE
 FA FRESH AIR
 FCV FLOW CONTROL VALVE
 F.C.O. FLOOR CLEANOUT
 FD FLOOR DRAIN
 FFD FUNNEL FLOOR DRAIN
 FS FLOOR SINK
 FS LOW SWITCH
 G.V. GATE VALVE
 H.C. HUB
 HD HUB
 HEDF HANDICAPPED DRINKING FOUNTAIN
 H&CW HOT & COLD WATER
 HLAV HANDICAPPED LAVATORY
 HW HOT WATER
 HWC HANDICAPPED WATER CLOSET
 HWH HOT WATER HEATER
 HUR HANDICAPPED URINAL
 IMB ICE MAKER BOX
 INV INVERT
 KW KILOWATT
 LAV LAVATORY
 M.H. MANNING-HUTCHINS
 MS MOP SINK
 PRV PRESSURE REDUCING VALVE
 R.V. REVERSE VALVE
 RY RY
 RV REVERSE VALVE
 SH SHOWER
 SK SINK
 S.S. SERVICE SINK
 S.W.V. SOIL WASTE & VENT
 T&P TEMPERATURE & PRESSURE
 TS TAMPER SWITCH
 UR URINAL
 V VENT
 VTR VENT THRU ROOF
 W WASTE
 W&V WASTE & VENT
 WC WATER CLOSET
 WH WALL HYDRANT (WATER)
 WHA WATER HAMMER ARRESTOR
 YH YARD HYDRANT (WATER)
 Y.CO. YARD CLEANOUT



INSTANTANEOUS WATER HEATER PIPING DIAGRAM
NO SCALE



TRAP PRIMER PIPING DIAGRAM
NO SCALE



TRAP PRIMER PIPING DIAGRAM
NO SCALE

MARK	DESCRIPTION	CONNECTIONS			RIM HEIGHT	REMARKS
		CW	HW	S/W		
WC	WATER CLOSET—REGULAR FLUSH VALVE	1"	—	4"	15"	
HWC	WATER CLOSET—HANDICAPPED REGULAR FLUSH VALVE	1"	—	4"	18"	19" TO TOP OF SEAT
UR	URINAL—REGULAR FLUSH VALVE	3/4"	—	2"	24"	
HUR	URINAL—HANDICAPPED REGULAR FLUSH VALVE	3/4"	—	2"	17"	
LAV	LAVATORY—WALL HUNG	1/2"	—	1-1/4"	34"	
HLAV	LAVATORY—HANDICAPPED WALL HUNG	1/2"	—	1-1/4"	34"	
HLAV-1	LAVATORY—HANDICAPPED WALL HUNG	1/2"	1/2"	1-1/4"	34"	
SK-1	STAINLESS STEEL—COUNTERTOP SINK	1/2"	—	1-1/2"	COORDINATE INSTALLATION W/ ARCH. COUNTER DETAIL	CLASSROOMS
SK-2	STAINLESS STEEL—COUNTERTOP SINK	1/2"	1/2"	1-1/2"	COORDINATE INSTALLATION W/ ARCH. COUNTER DETAIL	ART CLASSROOM
SK-3	STAINLESS STEEL—COUNTERTOP SINK	1/2"	1/2"	1-1/2"	COORDINATE INSTALLATION W/ ARCH. COUNTER DETAIL	WORKROOM
EDF	ELECTRIC DRINKING FOUNTAIN WALL HUNG	1/2"	—	1-1/4"	40" TO TOP OF SPOUT	
HEDF	ELECTRIC DRINKING FOUNTAIN WALL HUNG—HANDICAPPED	1/2"	—	1-1/4"	36" MAX SPOUT HEIGHT 27" TO BOT. OF APRON	BOTTLE FILLER
MS	MOP RECEPTOR—FLOOR MOUNTED	1/2"	1/2"	3"	8" MINIMUM	FAUCET 48" AFF

NOTE: COORDINATE WITH ARCHITECT WHICH SINKS ARE TO BE ADA. PROVIDE ADA OFFSET DRAINS AND TRAP GUARDS.

Order Plans

WWW.WDILIN.COM

BXA
Breaux & Associates
ARCHITECTS
6885 Skyles Road East, Suite 303
Alpharetta, Georgia 30005 | (770) 585-4508

MECHANICAL ENGINEERS INC
500 Shreve Street, Suite 103, Roswell, GA 30076 | Tel: 404-585-1050

03-06-2020

RUSSOM ELEMENTARY SCHOOL ADDITION
44 RUSSOM ELEMENTARY SCHOOL LANE
DALLAS, GA 30132
(FACILITY CODE: 710-0204)

PAULDING COUNTY SCHOOLS

PLUMBING LEGEND SCHEDULE & DETAILS

DATE 03/06/2020
PROJECT NO. 19117

P1.0