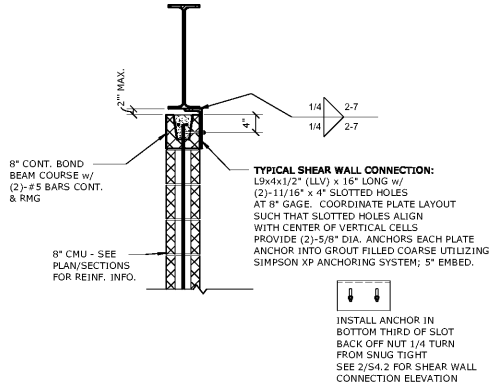
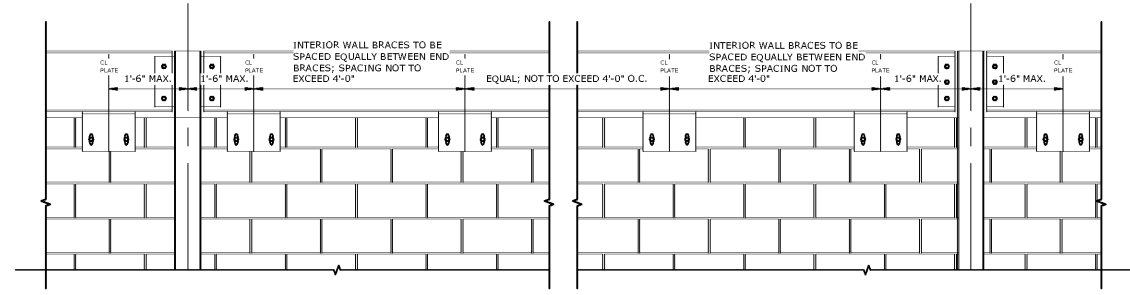


3/4/2020 2:45:57 PM



1 TYPICAL SHEAR WALL DETAIL
 S4.2 SCALE: 3/4" = 1'-0"



2 SHEAR WALL CONNECTION ELEVATION
 S4.2 SCALE: 3/4" = 1'-0"

Order Plans @ www.LDILine.com

NO	DESCRIPTION	DATE

**RUSSOM ELEMENTARY SCHOOL
 ADDITION**
 44 RUSSOM ELEMENTARY SCHOOL LANE
 DALLAS, GA 30132
 (FACILITY CODE: 710-0204)

PAULDING COUNTY SCHOOLS

TYPICAL SECTIONS

DATE 03/06/2020
 PROJECT NO. 19117

S4.2



PRINCE GEORGE'S ASSOCIATES
 2711 Stonecroft Rd. - Suite 100
 Atlanta, Georgia 30324
 404-525-5000
 404-525-5001

BXA
 Breaux & Associates
 ARCHITECTS
 5965 Shiloh Road East, Suite 900
 Alpharetta, Georgia 30005 | (678) 565-4508

104372 SF S.F. (EXISTING AREA) + 22878 SF S.F. (NEW AREA) = 127250 SF S.F. (TOTAL AREA) + 800 F.T.E. (EXISTING) + 250 F.T.E. (NEW) = 1050 F.T.E. (TOTAL) + 561 U.I. (EXISTING) + 171 U.I. (NEW) = 732 U.I. (TOTAL)