

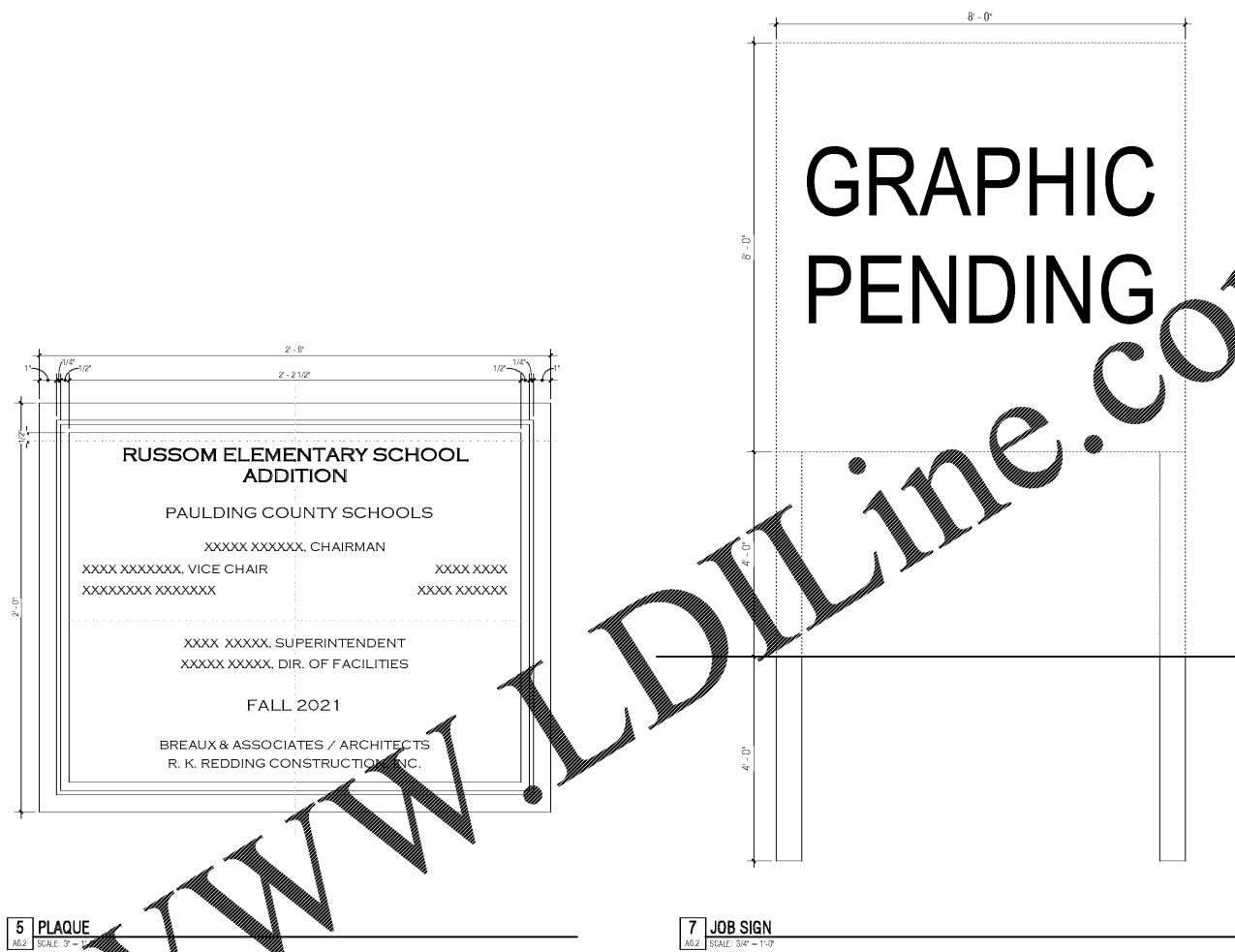
NO.	DESCRIPTION	DATE

**RUSSOM ELEMENTARY SCHOOL  
ADDITION**  
44 RUSSOM ELEMENTARY SCHOOL LANE  
DALLAS, GA 30132  
(FACILITY CODE: 7110-0204)  
PAULDING COUNTY SCHOOLS

INTERIOR  
SIGNAGE

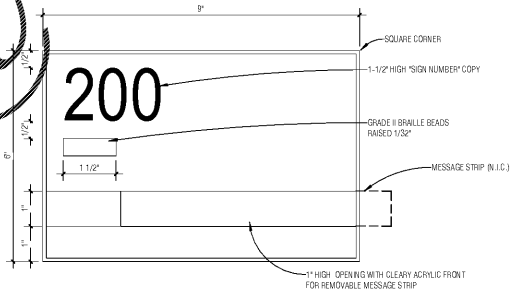
DATE 03/08/2020  
PROJECT NO. 19117

A6.2

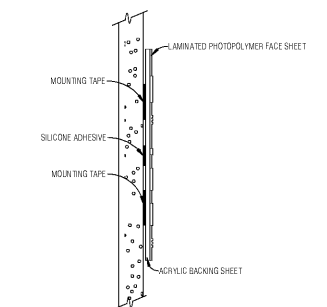


5 PLAQUE  
SCALE: 3/4" = 1'-0"

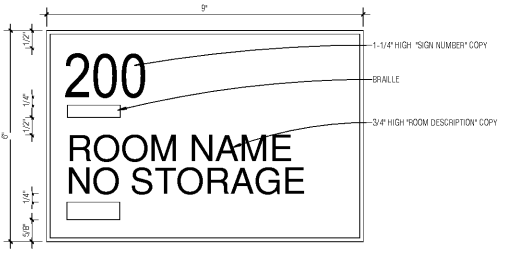
7 JOB SIGN  
SCALE: 3/4" = 1'-0"



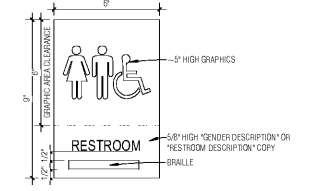
1 (M) MESSAGE SIGN  
SCALE: 3/4" = 1'-0"



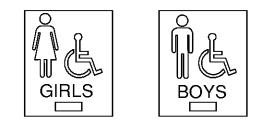
4 SIGN SECTION  
SCALE: 3/4" = 1'-0"



3 (S) STANDARD PANEL SIGN  
SCALE: 3/4" = 1'-0"



2 (R) RESTROOM SIGNAGE  
SCALE: 3/4" = 1'-0"



6 RESTROOM DESCRIPTIONS - B  
SCALE: NOT TO SCALE

Order Plans @ [www.LDILine.com](http://www.LDILine.com)