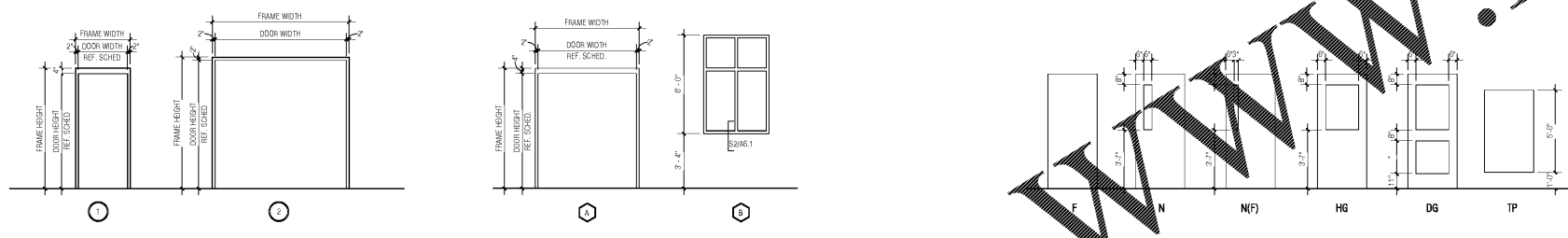


DOOR SCHEDULE - HOLLOW METAL. Table with columns: DOOR NO., COUNT, ROOM NO., ROOM NAME, FIRE RATING, STC RATING, DOOR PANEL (MAT, QTY, WIDTH, HEIGHT, THICK, ELEV), DOOR NO., WALL TYPE, WALL THICKNESS, FRAME (MAT, JAMB, WIDTH, HEIGHT, SILL HEIGHT, ELEV, HEAD, JAMB, SILL), DETAIL, DOOR NO., HARDWARE DEVICES (MHO, HO, RM, VR, A/I LEAF), ACCESS CONTROL DEVICES, COMMENTS.

DOOR SCHEDULE - ALUMINUM STOREFRONT. Table with columns: DOOR NO., COUNT, ROOM NO., ROOM NAME, FIRE RATING, STC RATING, DOOR PANEL (MAT, QTY, WIDTH, HEIGHT, THICK, ELEV), DOOR NO., WALL TYPE, WALL THICKNESS, FRAME (MAT, JAMB, WIDTH, HEIGHT, SILL HEIGHT, ELEV, HEAD, JAMB, SILL), DETAIL, DOOR NO., HARDWARE DEVICES (MHO, HO, RM, VR, A/I LEAF), ACCESS CONTROL DEVICES, COMMENTS.

DOOR SCHEDULE - FRP. Table with columns: DOOR NO., COUNT, ROOM NO., ROOM NAME, FIRE RATING, STC RATING, DOOR PANEL (MAT, QTY, WIDTH, HEIGHT, THICK, ELEV), DOOR NO., WALL TYPE, WALL THICKNESS, FRAME (MAT, JAMB, WIDTH, HEIGHT, SILL HEIGHT, ELEV, HEAD, JAMB, SILL), DETAIL, DOOR NO., HARDWARE DEVICES (MHO, HO, RM, VR, A/I LEAF), ACCESS CONTROL DEVICES, COMMENTS.

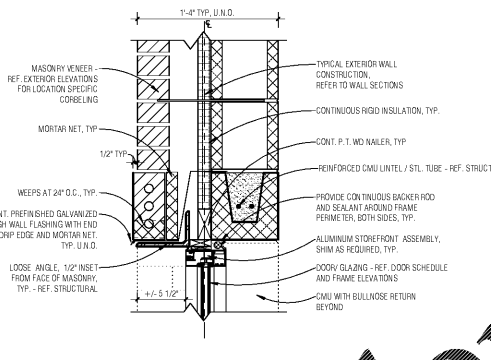
DOOR SCHEDULE LEGEND. Hardware Devices (MHO, HO, RM, VR, AV, EPT, LAB). Access Control Devices (ADD, SCR, VCN, DA, MD). Glazing Notes (Interior, Exterior). Frame Elevation Legend (EG-1). Includes BXA Architects logo and contact info.



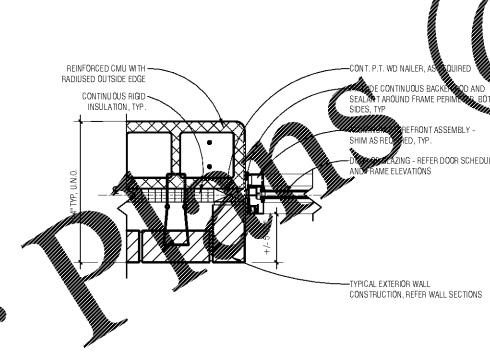
FRAME ELEVATIONS - HOLLOW METAL. SCALE: 1/4" = 1'-0"

FRAME ELEVATIONS - ALUMINUM STOREFRONT. SCALE: 1/4" = 1'-0"

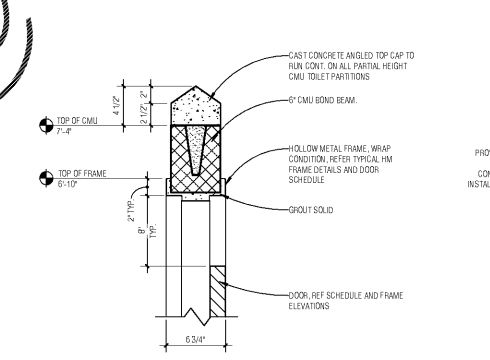
DOOR PANEL ELEVATIONS. SCALE: 1/4" = 1'-0"



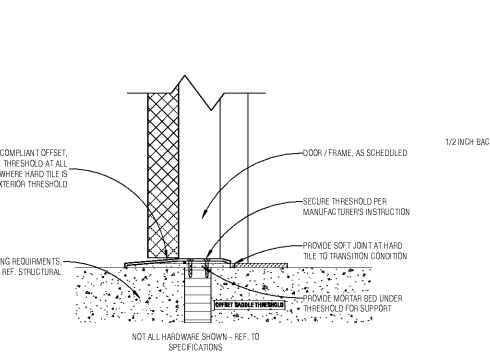
H1 HEAD DETAIL (EXT-AL) TYPICAL. SCALE: 1/2" = 1'-0"



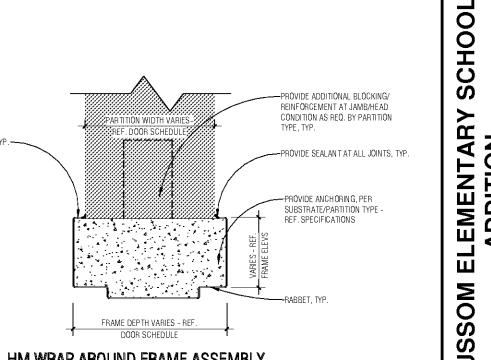
J1 JAMB DETAIL (EXT-AL) TYPICAL. SCALE: 1/2" = 1'-0"



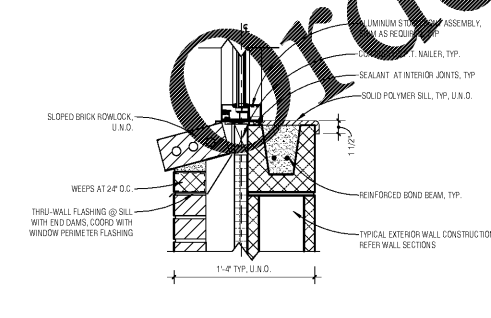
TP HEAD DETAIL (INT-HM) TOILET PARTITION. SCALE: 1/2" = 1'-0"



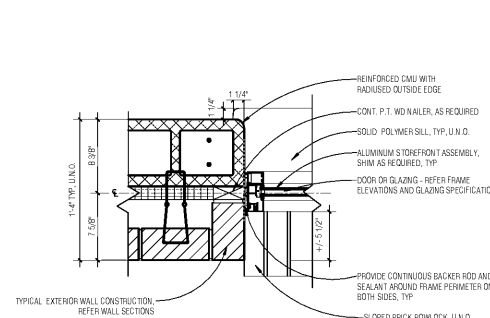
T1 SILL DETAIL. SCALE: 3/4" = 1'-0"



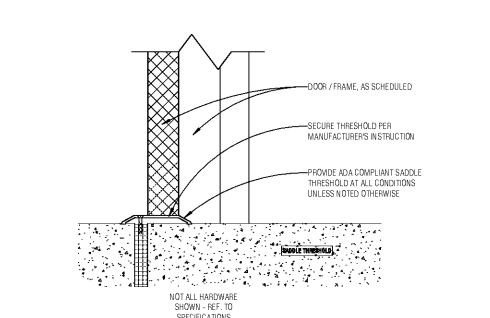
A TYPICAL. SCALE: 3/4" = 1'-0"



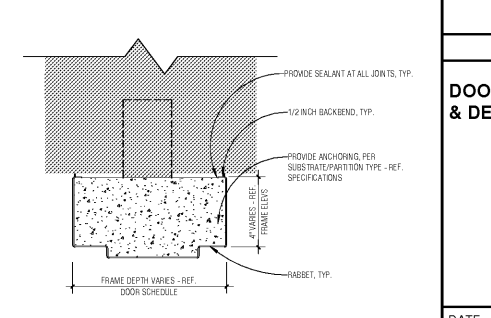
S2 SILL DETAIL (EXT-AL) TYPICAL. SCALE: 1/2" = 1'-0"



J2 JAMB DETAIL (EXT-AL) WINDOW. SCALE: 1/2" = 1'-0"



T2 SILL DETAIL. SCALE: 3/4" = 1'-0"



B TYPICAL. SCALE: 3/4" = 1'-0"

RUSSEM ELEMENTARY SCHOOL ADDITION 44 RUSSEM ELEMENTARY SCHOOL LANE DALLAS, GA 30132 (FACILITY CODE: 7110-0204) PAULDING COUNTY SCHOOLS

DOOR SCHEDULE & DETAILS

DATE: 03/06/2020 PROJECT NO.: 19117

A6.1

WWW.DDILine.com

Order Plans @