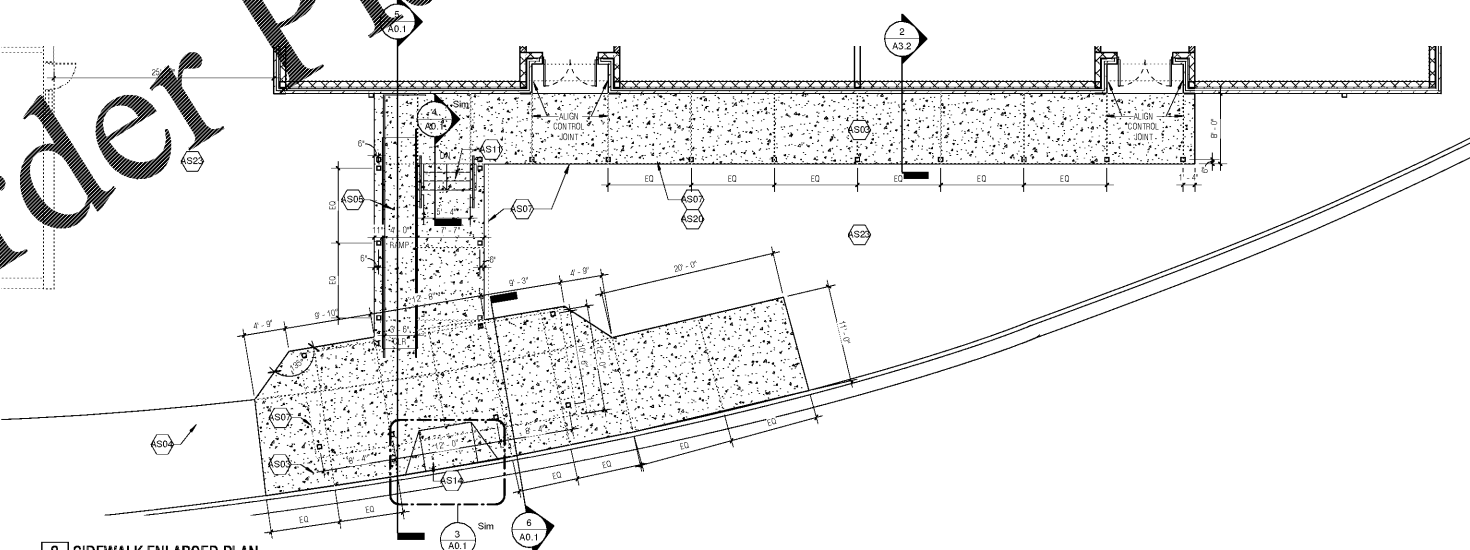
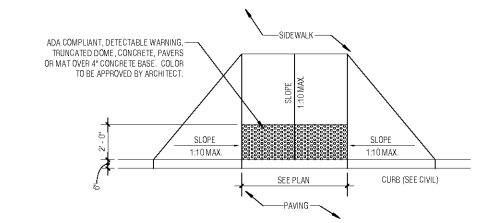


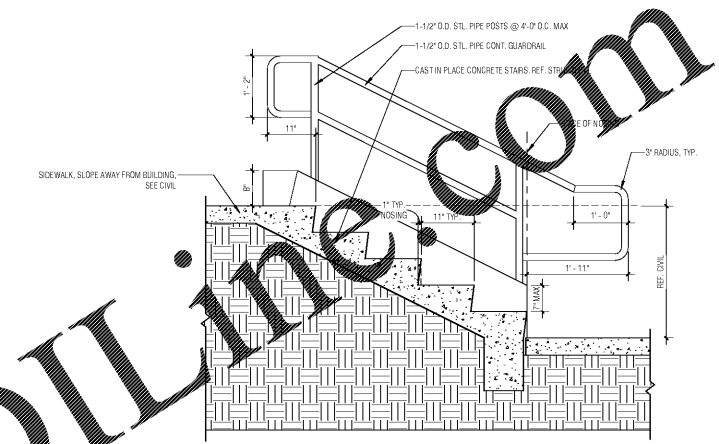
1 SIDEWALK PLAN
A0.1 SCALE: 1" = 40'-0"



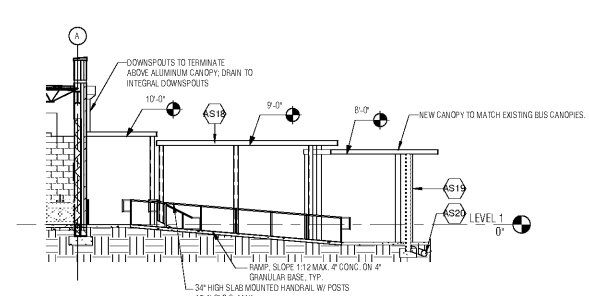
2 SIDEWALK ENLARGED PLAN
A0.1 SCALE: 1/8" = 1'-0"



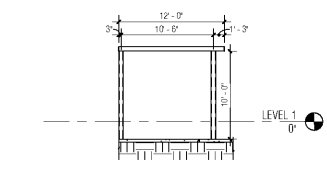
3 ADA RAMP
A0.1 SCALE: 1/4" = 1'-0"



4 EXTERIOR STAIR
A0.1 SCALE: 3/4" = 1'-0"



5 SECTION - RAMP AND CANOPY
A0.1 SCALE: 1/8" = 1'-0"



6 SECTION - CANOPY
A0.1 SCALE: 1/8" = 1'-0"

SIDEWALK PLAN LEGEND	
SYMBOLS LEGEND	
	Ref A101 BUILDING SECTION
	# DRAWING NOTE REFERENCE
	Ref A101 EXTERIOR ELEVATION
DRAWING NOTES	
AS12 TRANSFORMATION ON CONCRETE PAD, REF. ELECTRICAL	
AS13 CONCRETE SIDEWALK WITH CONTROL JOINTS (CJ) AT 10'-0" O.C. UNLESS NOTED OTHERWISE. EXPANSION JOINTS (EJ) TO BE SPACED 50'-0" MAX. UNLESS NOTED OTHERWISE. LIGHT BROOM FINISH WITH 2" TOOLED FINISH AT PERIMETER AND CONTROL JOINTS, TYP.	
AS14 EXISTING SIDEWALK TO REMAIN	
AS15 ADA COMPLIANT CONC RAMP, 1:12 MAX SLOPE, REFER TO CIVIL DRAWINGS.	
AS16 PRE-ENGINEERED ALUMINUM CANOPY	
AS17 EXTERIOR CONCRETE FINISH ON GRADE	
AS18 ADA COMPLIANT TRUNCATED DOME, DETECTABLE WARNING STRIP, TYP.	
AS19 MAINTAIN CONTINUOUS LEVEL OF CANOPY DECK UNLESS 5' REP. IN HEIGHT IS INDICATED. ADJUST ALUMINUM CANOPY COLUMN LENGTH AS NECESSARY, REF. CIVIL FOR SICKWALK GRADE.	
AS20 VERIFY FINAL ANCHORAGE AND FOUNDATIONS DETAILS WITH CANOPY MANUFACTURER. PROVIDE CANOPY REACTION TO ARCHITECT FOR VERIFICATION OF FOUNDATION SIZES. REF. STRUCTURAL FOR ANTICIPATED COLUMN FOOTING SIZES.	
AS21 INTEGRAL DOWNSPOUTS PROVIDED BY CANOPY MANUFACTURER RE INTO STORM SEWER, REF. CIVIL.	
AS22 REFER TO CIVIL FOR GRADING DESIGN EXTENTS	

BXA
Breux & Associates
ARCHITECTS
5995 Shiloh Road East, Suite 200
Alpharetta, Georgia 30005 | (770) 565-4508

STATE OF GEORGIA
DOUGLAS P. BREUX
REGISTERED PROFESSIONAL ARCHITECT
03/06/2020

NO.	DESCRIPTION	DATE

**RUSSOM ELEMENTARY SCHOOL
ADDITION**
44 RUSSELL ELEMENTARY SCHOOL LANE
DALLAS, GA 30132
(FACILITY CODE: 710-0204)

PAULDING COUNTY SCHOOLS

SIDEWALK PLAN

DATE: 03/06/2020
PROJECT NO.: 19117

A0.1

Order Plans @ www.LDILine.com