

THE DRAWINGS & WRITTEN MATERIAL HEREIN CONSTITUTE ORIGINAL WORK OF THE ARCHITECT, & AS SUCH, ALL RIGHTS, INCLUDING BUT NOT LIMITED TO, SERVICE ARE SUBJECT TO COPYRIGHT & MAY NOT BE REPRODUCED, TRANSMITTED, COPIED, REPRODUCED OR USED IN ANY MANNER WITHOUT EXPRESS WRITTEN CONSENT OF THE ARCHITECT  
© 2020 IN+EGRA



Seals:  
**VP ENGINEERING**  
V. PAPPAS  
CONSULTING ENGINEERS, P.A.  
PO Box 23847, Charlotte, NC 28223  
2015 Lakeside Drive, Suite 180  
Charlotte, NC 28203  
704.372.1785  
www.vpe.com  
CORPORATE NC LICENSE #C-2409

Revisions:

Number	Date	Description

Project Title:  
**SOUTH CHARLOTTE HYUNDAI**

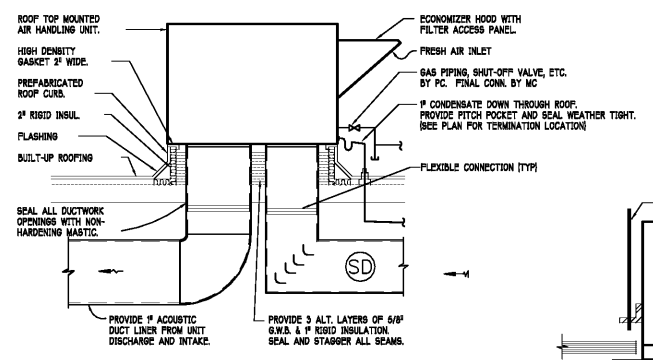
Project No: **4802.00**

Drawing Title:  
**MECHANICAL DETAILS**

SET ISSUE DATE  
MAR 4, 2020

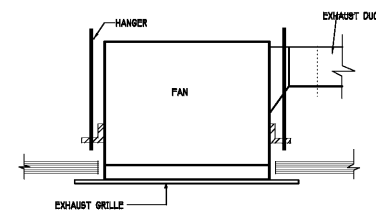
Sheet:  
**M8**

Sheet Template ID: CHE-F-07-B  
File: Z:\Projects\4802\_South Charlotte Hyundai Redesign\4802MECH\MECHANICAL DETAILS\_Planet-3/1/2020 4:38 PM by ALEX E. LEVEN\_Saved: 2/19/2020 12:35 PM by ALEVEN

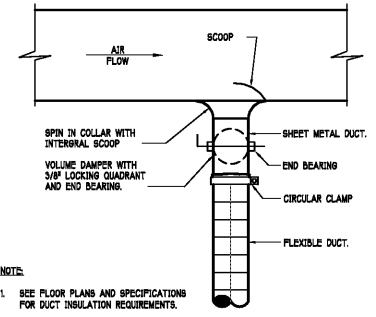


NOTE:  
1. PROVIDE WITH UL LISTED (UL-S98) WATER LEVEL DETECTION DEVICE TO SHUT OFF THE RTU IF PRIMARY DRAIN IS CLOGGED.

**1 ROOF TOP MOUNTED UNIT**  
MS NOT TO SCALE

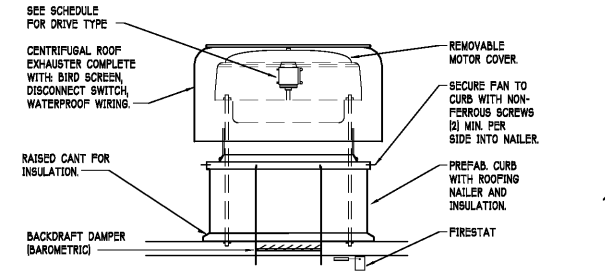


**2 EXHAUST FAN DETAIL**  
MS NOT TO SCALE



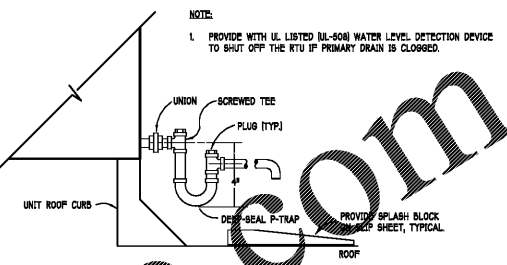
NOTE:  
1. SEE FLOOR PLANS AND SPECIFICATIONS FOR DUCT INSULATION REQUIREMENTS.  
2. TAP OFF TOP/BELOW BOTTOM OF DUCT AS REQUIRED.

**3 ROUND SUPPLY TAP**  
MS NOT TO SCALE

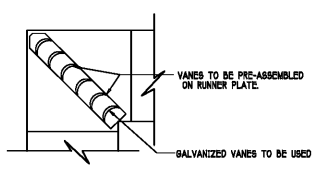


NOTE:  
1. PROVIDE WITH UL LISTED (UL-S98) WATER LEVEL DETECTION DEVICE TO SHUT OFF THE RTU IF PRIMARY DRAIN IS CLOGGED.

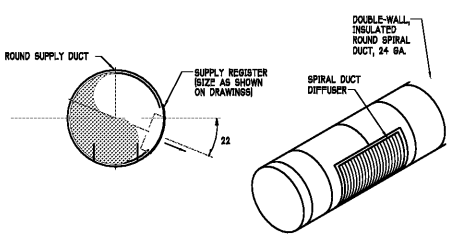
**4 CENTRIFUGAL ROOF FAN DETAIL**  
MS NOT TO SCALE



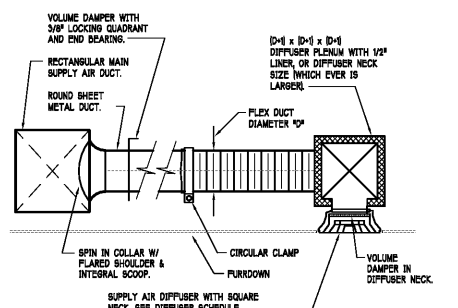
**5 ROOF TOP UNIT CONDENSATE DRAIN DETAIL**  
MS NOT TO SCALE



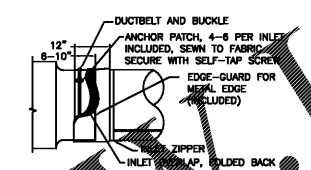
**6 SQUARE ELBOW W/TURNING VANES**  
MS NOT TO SCALE



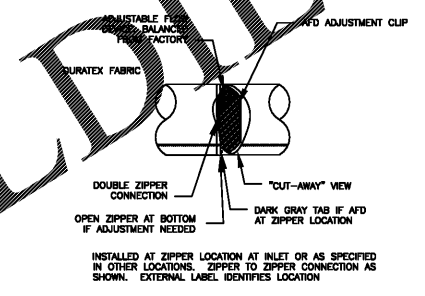
**7 ROUND DUCT SUPPLY AIR DETAIL**  
MS NOT TO SCALE



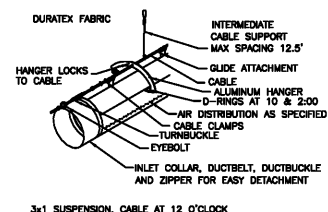
**8 SUPPLY AIR DIFFUSER DETAIL**  
MS NOT TO SCALE



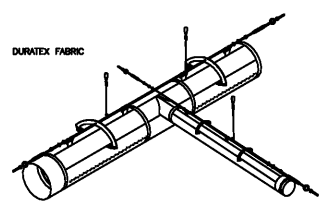
**9 FABRIC DUCT INLET ATTACHMENT DETAIL**  
MS NOT TO SCALE



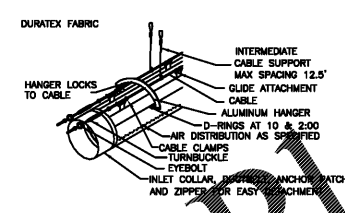
**10 FABRIC DUCT ADJUSTABLE FLOW DEVICE DETAIL**  
MS NOT TO SCALE



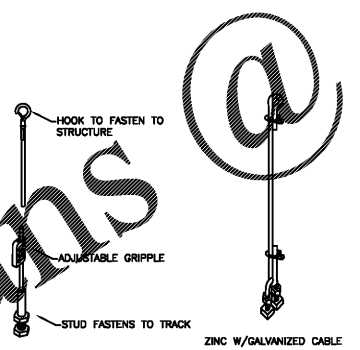
**11 3x1 ROW CABLE SUSPENSION DETAIL**  
MS NOT TO SCALE



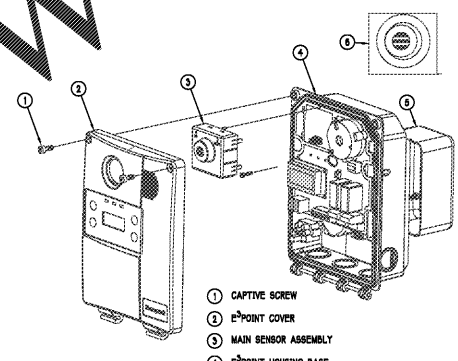
**12 3x1 CABLE SUSPENSION DETAIL @ BRANCH TEE**  
MS NOT TO SCALE



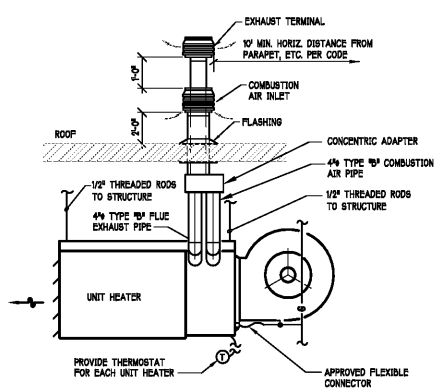
**13 4x2 CABLE SUSPENSION DETAIL**  
MS NOT TO SCALE



**14 TRACK SUPPORT DETAIL**  
MS NOT TO SCALE



**15 CO & NO DETECTORS DETAIL**  
MS NOT TO SCALE



**16 CONCENTRIC VENT GAS FIRED UNIT HEATER**  
MS NOT TO SCALE

Order Plans @

NO.	DESCRIPTION	QTY	UNIT	PRICE	TOTAL
1	3x1 CABLE SUSPENSION DETAIL @ BRANCH TEE	1	MS	100.00	100.00
2	4x2 CABLE SUSPENSION DETAIL	1	MS	100.00	100.00
3	TRACK SUPPORT DETAIL	1	MS	100.00	100.00
4	CO & NO DETECTORS DETAIL	1	MS	100.00	100.00
5	CONCENTRIC VENT GAS FIRED UNIT HEATER	1	MS	100.00	100.00
6	ROOF TOP MOUNTED UNIT	1	MS	100.00	100.00
7	EXHAUST FAN DETAIL	1	MS	100.00	100.00
8	ROUND SUPPLY TAP	1	MS	100.00	100.00
9	CENTRIFUGAL ROOF FAN DETAIL	1	MS	100.00	100.00
10	FABRIC DUCT INLET ATTACHMENT DETAIL	1	MS	100.00	100.00
11	FABRIC DUCT ADJUSTABLE FLOW DEVICE DETAIL	1	MS	100.00	100.00
12	3x1 ROW CABLE SUSPENSION DETAIL	1	MS	100.00	100.00
13	SQUARE ELBOW W/TURNING VANES	1	MS	100.00	100.00
14	ROUND DUCT SUPPLY AIR DETAIL	1	MS	100.00	100.00
15	SUPPLY AIR DIFFUSER DETAIL	1	MS	100.00	100.00
16	VEHICLE EXHAUST CAPTURE SYSTEM DETAIL (BY OWNER)	1	MS	100.00	100.00

**17 VEHICLE EXHAUST CAPTURE SYSTEM DETAIL (BY OWNER)**  
MS NOT TO SCALE