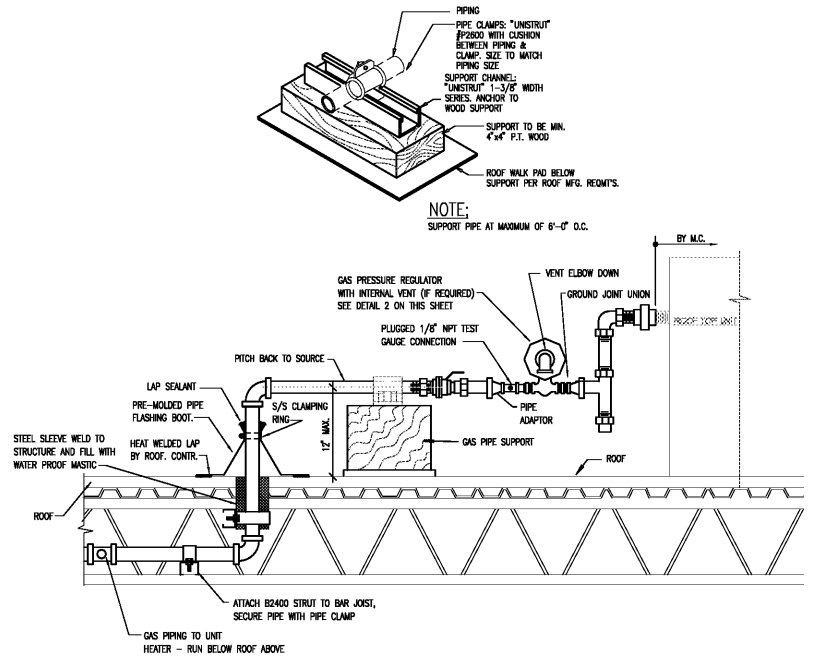


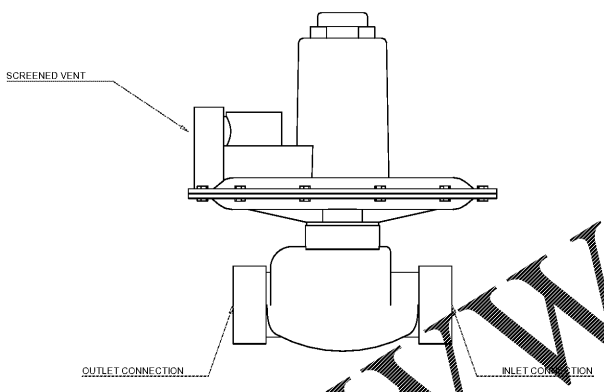


Seals:

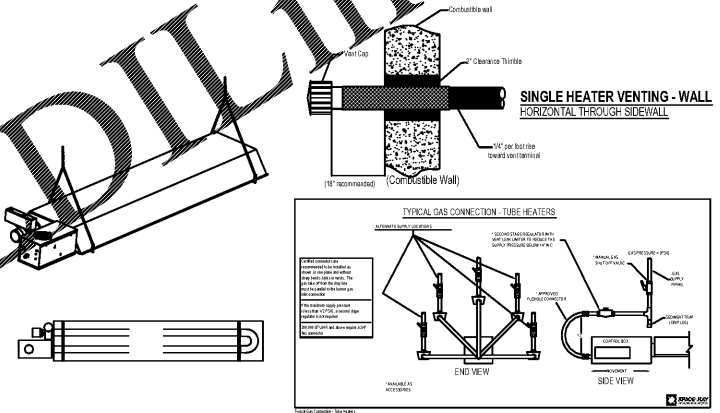
VP ENGINEERING
 Mechanical Electrical Plumbing
 VRETTOS PAPPAS
 CONSULTING ENGINEERS, P.A.
 PO Box 23847, Charlotte, NC 28221
 2015 Coliseum Road, Suite 180
 Charlotte, NC 28202
 704.372.1785
 www.vpe.com
 CORPORATE NC LICENSE #C-2409



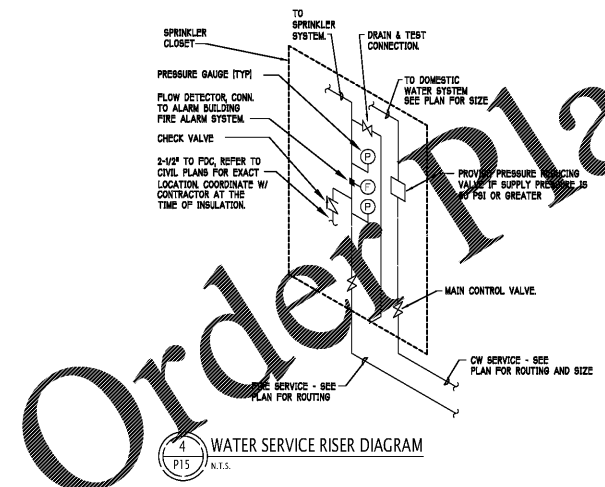
1 ROOF GAS PIPING DETAIL
 P15 N.T.S.



2 GAS REGULATOR DETAIL
 P15 NOTE: GAS REGULATOR TO BE INSTALLED IN ACCORDANCE WITH SECTION 410 OF NORTH CAROLINA FUEL GAS CODE.



3 RADIANT GAS HEATER GAS PIPING DETAIL
 P15 NOT TO SCALE



4 WATER SERVICE RISER DIAGRAM
 P15 N.T.S.

Order Plans @ WWW.LDILine.com

Revisions		
Number	Date	Description

Project Title:

SOUTH CHARLOTTE HYUNDAI

Project No: **4802.00**

Drawing Title:

PLUMBING DETAILS

SET ISSUE DATE

▶ MAR 4, 2020 ◀

Sheet:

P15