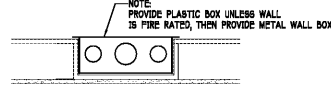
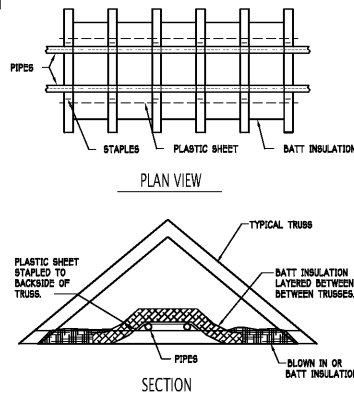


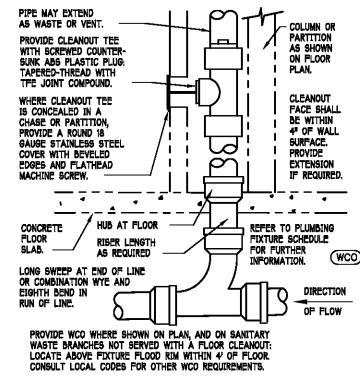
1 WASHER WALL BOX DETAIL
P14 N.T.S.



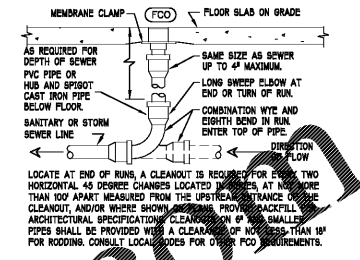
2 WASHER WALL BOX DETAIL
P14 N.T.S.



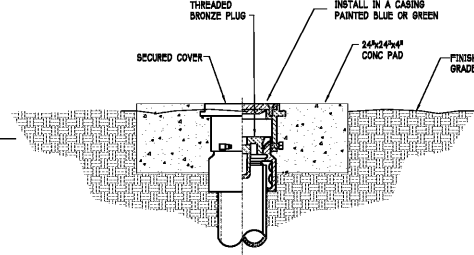
3 FREEZE PROTECTION OF PIPING
P14 N.T.S.



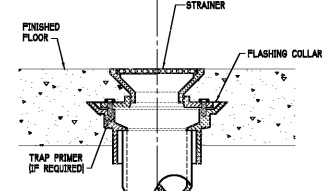
4 WALL CLEANOUT DETAIL
P14 N.T.S.



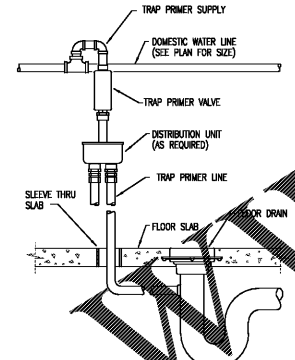
5 FLOOR CLEANOUT DETAIL
P14 N.T.S.



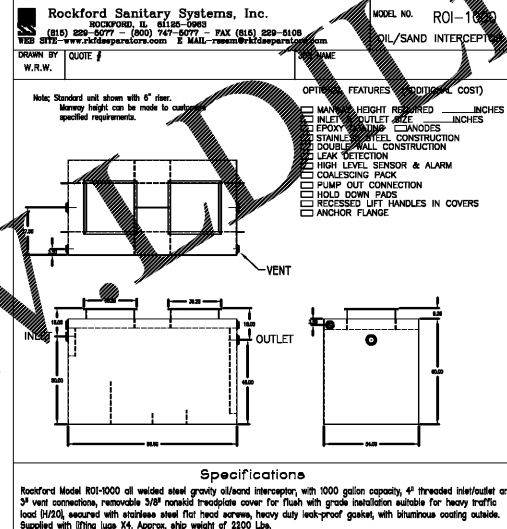
6 YARD CLEAN OUT DETAIL
P14 N.T.S.



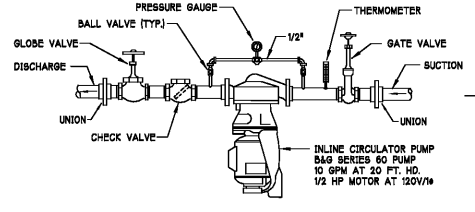
7 FLOOR DRAIN DETAIL
P14 N.T.S.



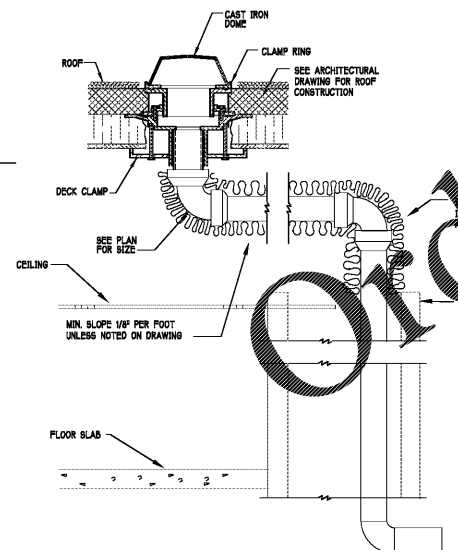
8 IN-LINE TRAP PRIMER FOR FLOOR DRAIN DETAIL
P14 N.T.S.



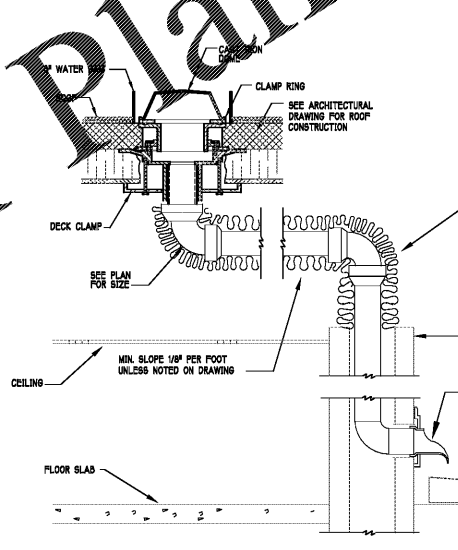
9 OIL SEPARATOR DETAIL (OS-1)
P14 N.T.S.



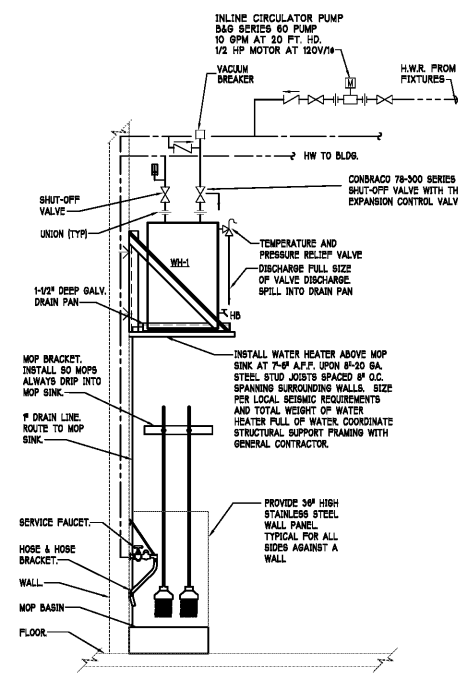
10 RECIRCULATION PUMP DETAIL
P14 N.T.S.



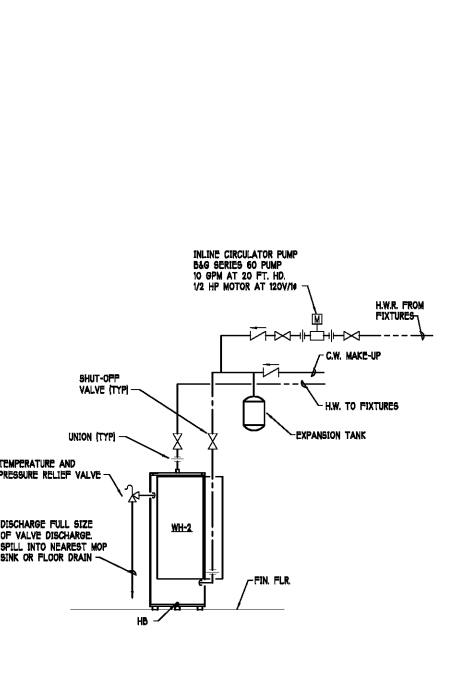
11 PRIMARY ROOF DRAIN DETAIL
P14 N.T.S.



12 OVERFLOW ROOF DRAIN DETAIL
P14 N.T.S.



13 PLATFORM MOUNTED WATER HEATER W/ RECIRC. DETAIL (WH-1)
P14 N.T.S.



14 FLOOR MOUNTED WATER HEATER W/ RECIRC. DETAIL (WH-2)
P14 N.T.S.

Order Plans @