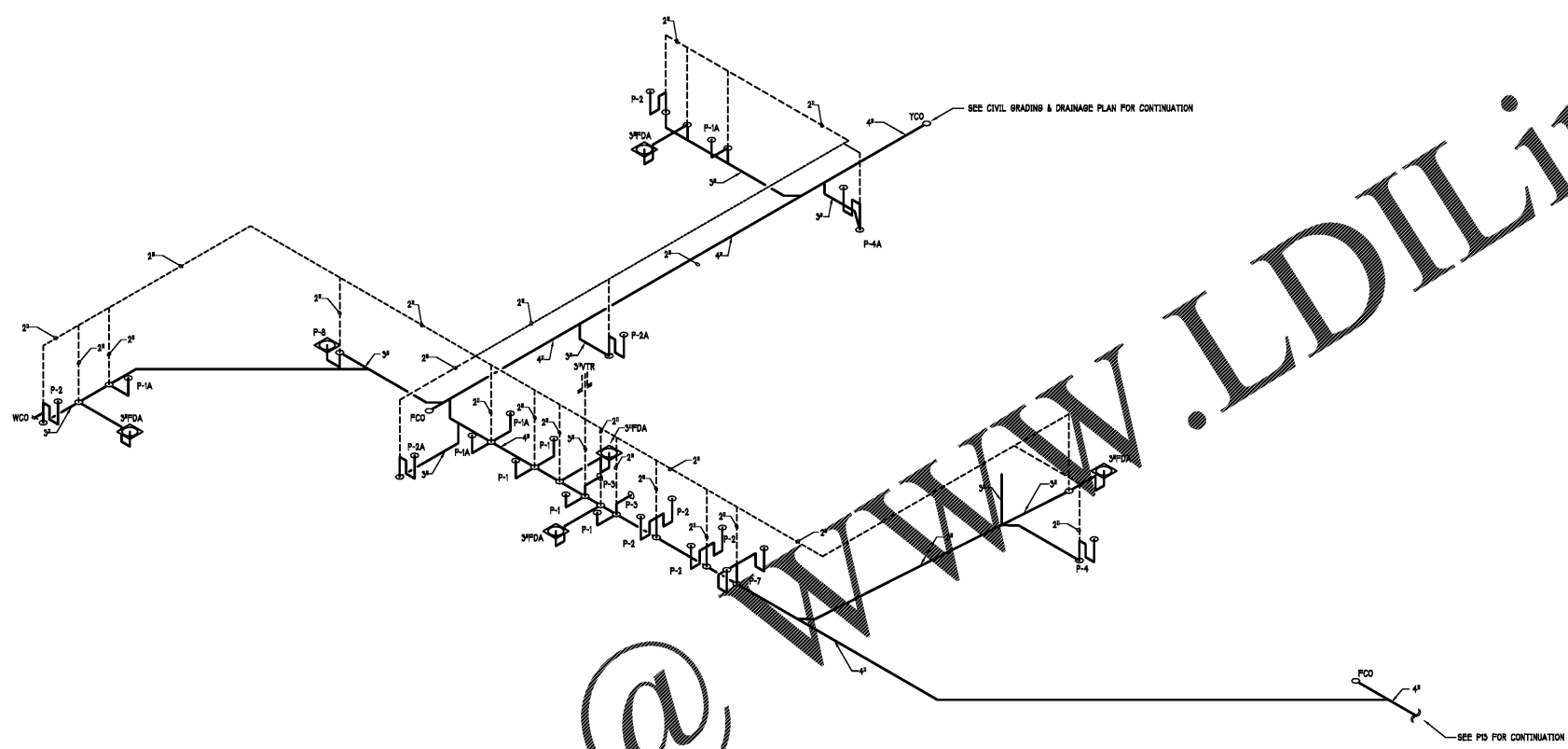


Sheet Template ID: OPE-F-016

File: Z:\Projects\4802 South Charlotte Hyundai Riserdesign\4802P12 SANITARY WASTE RISER DIAGRAM SALES: Plotfile: 3/4/2020 4:29 PM by ALEX E. LEVEN; Sheet: 3/4/2020 4:10 PM by DPA:ME

Order Plans @ WWW.LDILine.com



1 SANITARY WASTE RISER DIAGRAM - SALES
 P12 N.T.S.

in+EGRA
 an Integra Architecture, PLLC DBA
 115 East Kingston Avenue, Ste. 20
 Charlotte, NC 28203
 704.372.0001
 www.in+egra.com

THE DRAWINGS & WRITTEN MATERIAL HEREIN CONSTITUTE ORIGINAL WORK OF THE ARCHITECT, & AS INTELLECTUAL PROPERTY & INSTRUMENTS OF SERVICE, ARE SUBJECT TO COPYRIGHT & MAY NOT BE REPRODUCED, PUBLISHED, DISTRIBUTED, REPRODUCED OR USED IN ANY WAY WITHOUT EXPRESS WRITTEN CONSENT OF THE ARCHITECT
 © 2020 IN+EGRA



Scale:



VP ENGINEERING
 Mechanical / Structural / Plumbing
VRETTOS PAPPAS
 CONSULTING ENGINEERS, P.A.
 P.O. Box 51847, Charlotte, NC 28251
 2815 Calleson Court, Suite 100
 Charlotte, NC 28217
 704.292.7152
 www.vpae.com
 CORPORATE NC LICENSE #C-2409

Revisions:

Number	Date	Description

Project Title:

SOUTH CHARLOTTE HYUNDAI

Project No. **4802.00**

Drawing Title:

SANITARY WASTE RISER DIAGRAM - SALES

SET ISSUE DATE

▶ MAR 4, 2020 ◀

Sheet:

P12