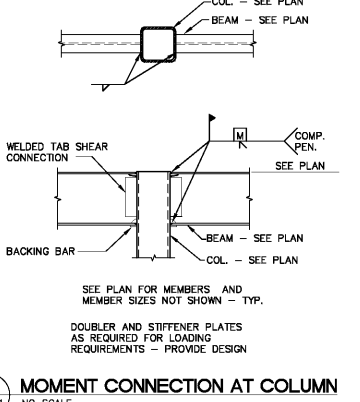
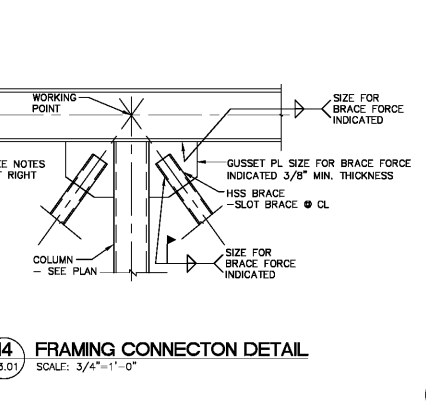
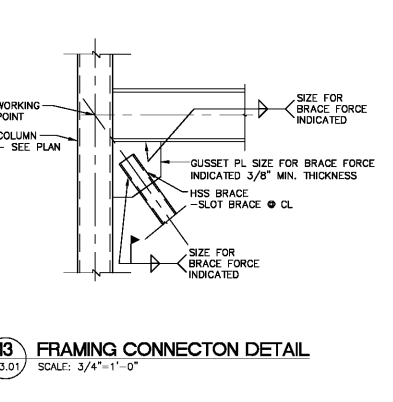
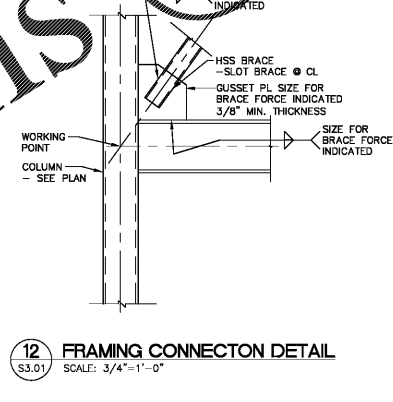
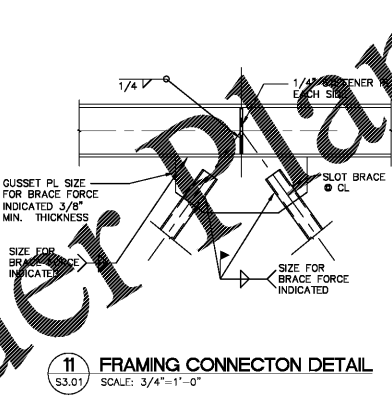
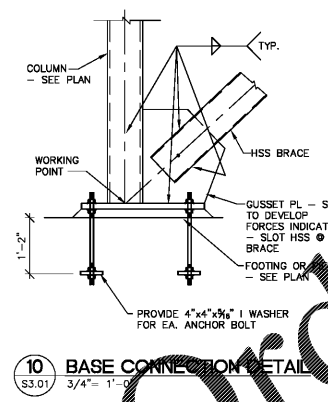
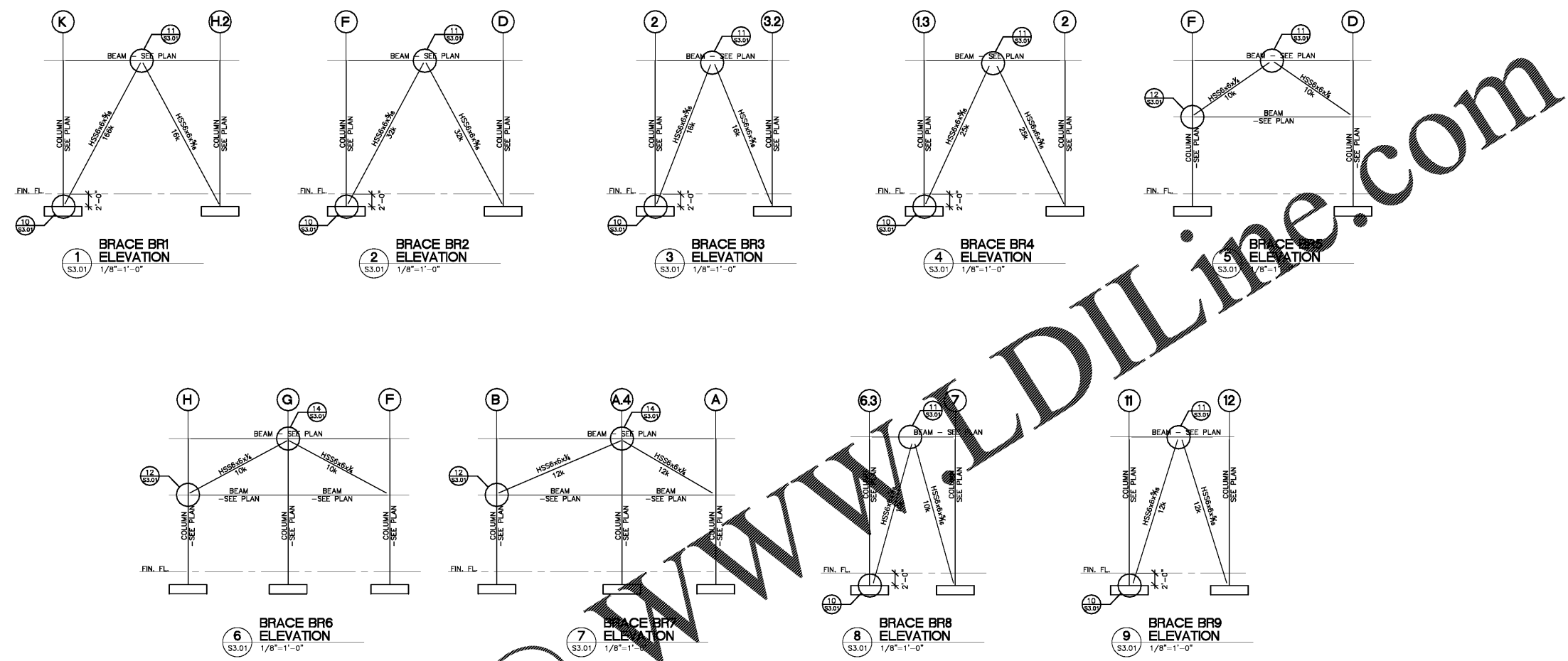


File: X:\Smiley\_Engineering\Smiley\_Engr\_2019\1\480 - Integra 2019\Structural\Section-Hyundai-Pineville\_Planetec - 3/1/2020 4:51 PM by CONOR; Saved: 3/1/2020 4:48 PM by CONOR  
 Sheet Template ID: OPE-F-07-B



Order Plans @ [www.weldline.com](mailto:www.weldline.com)

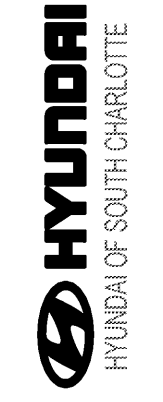
**INTEGRA**  
 an Integra Architecture, PLLC DBA  
 116 East Kingston Avenue, Ste. 20  
 Charlotte, NC 28203  
 704.372.0001  
 www.integra.com

---

**SMILEY**  
 ENGINEERING, INC.  
 NC License No. C-3128  
 1171 Market Street, Suite 203  
 Fort Mill, SC 29708  
 704-408-1698

---

NORTH CAROLINA  
 PROFESSIONAL  
 SEAL  
 28112  
 CONSTRUCTION  
 TOBY N. SMILEY  
 LICENSED PROFESSIONAL ENGINEER  
 03/04/20



Revisions:

Number	Date	Description

Project Title:

**HYUNDAI SOUTH CHARLOTTE**

10518 CADILLAC STREET  
PINEVILLE, NC 28134

Project No.: 2638.00

Drawing Title:

**BRACED FRAME ELEVATIONS & DETAILS**

SET ISSUE DATE  
MARCH 4, 2020  
100% CD

Sheet: **S3.01**