

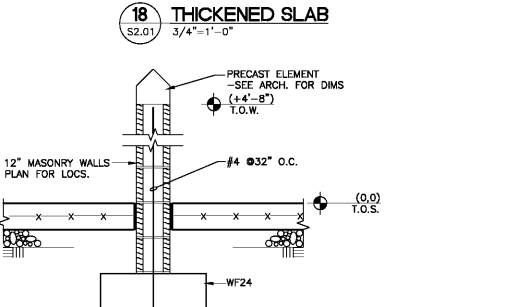
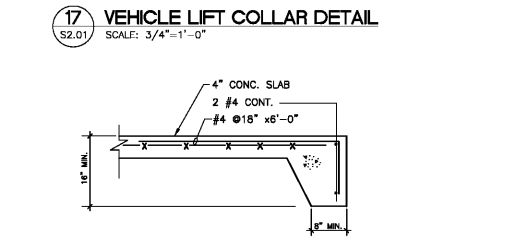
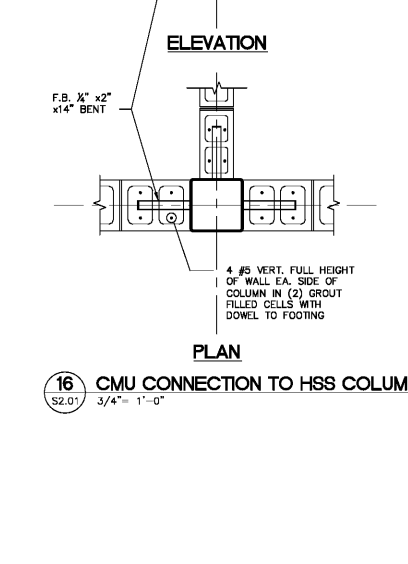
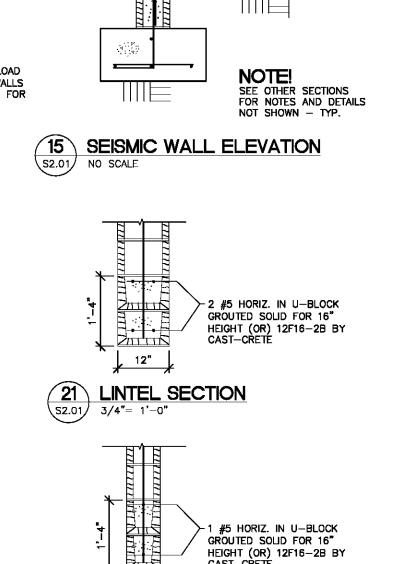
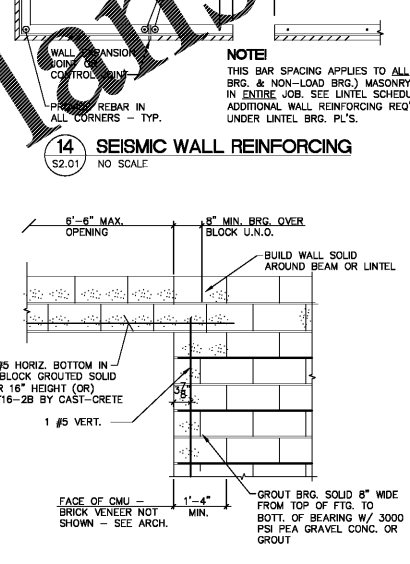
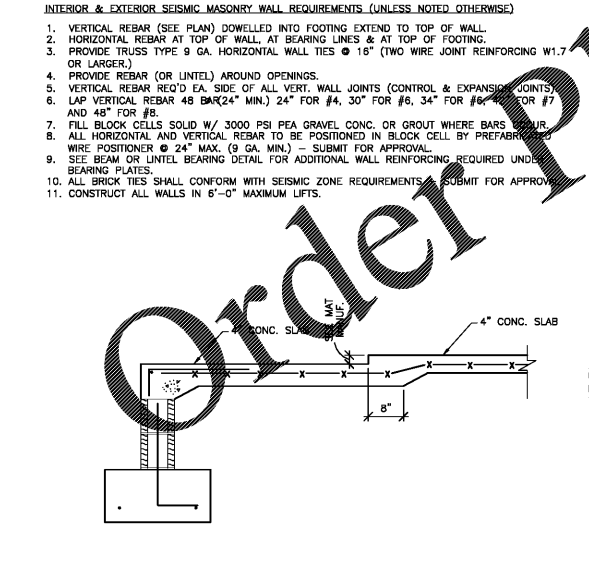
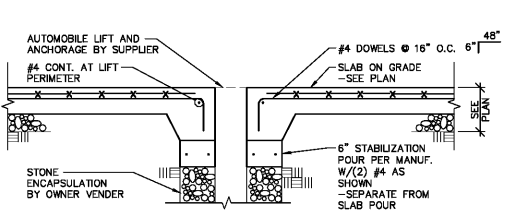
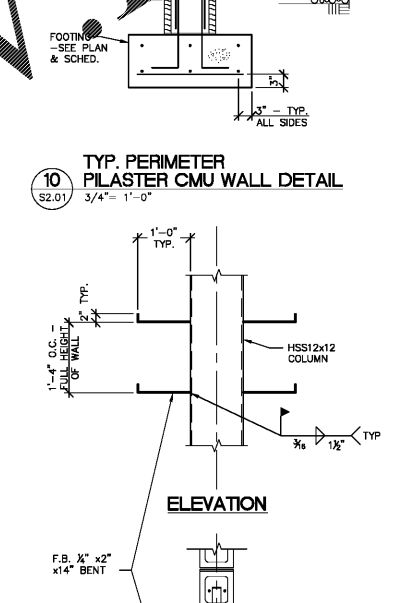
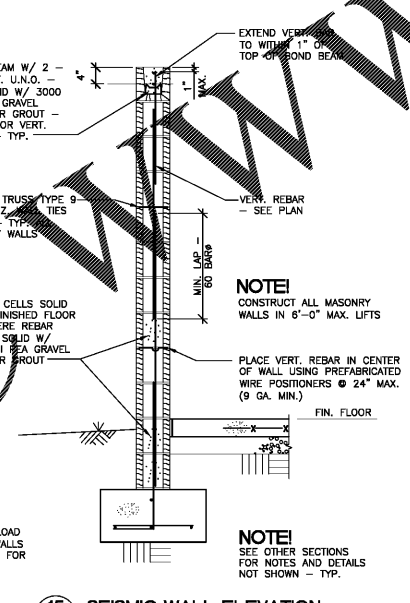
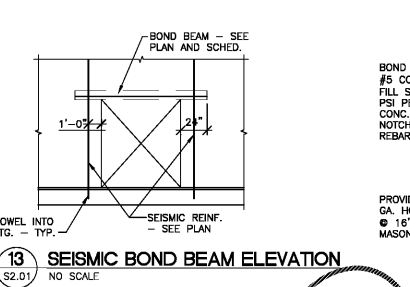
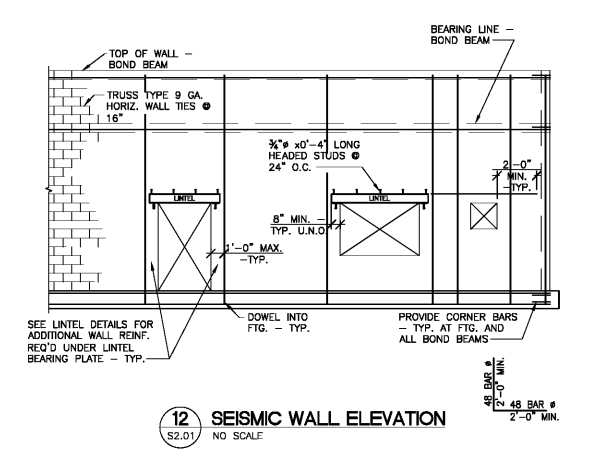
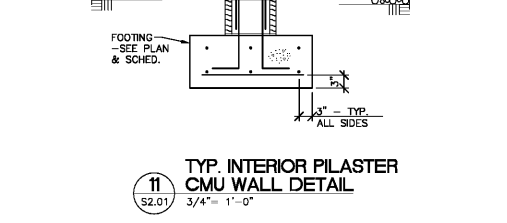
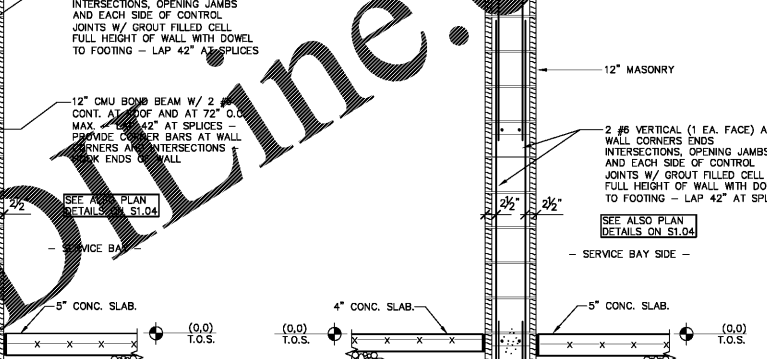
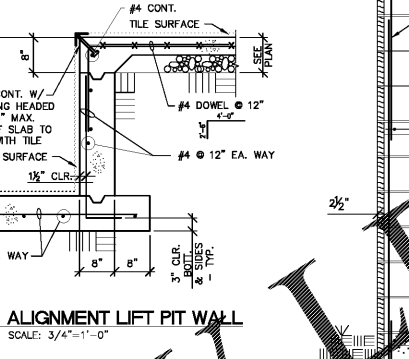
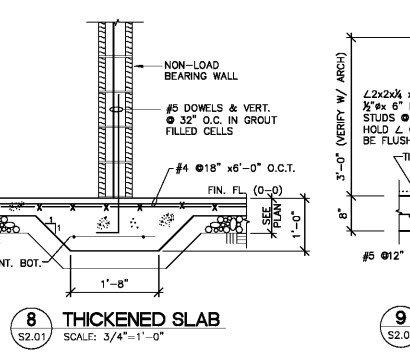
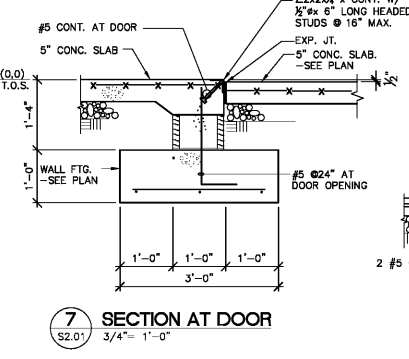
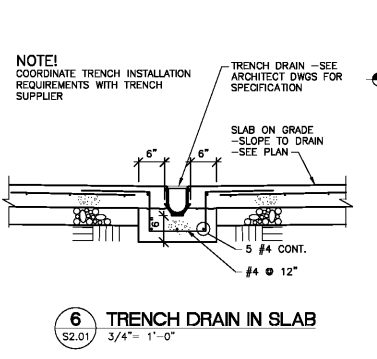
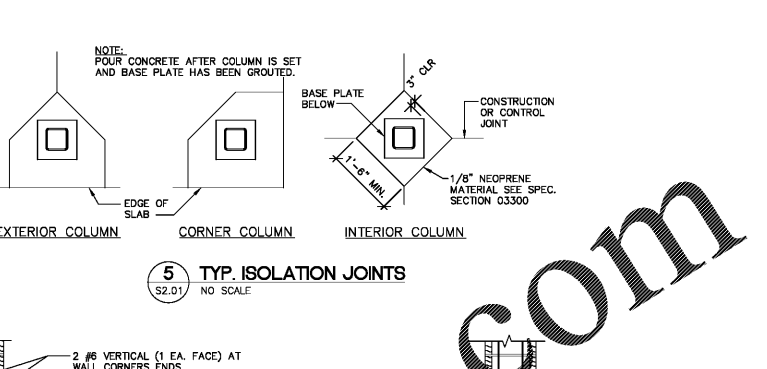
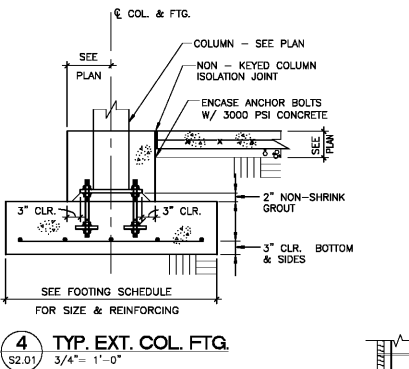
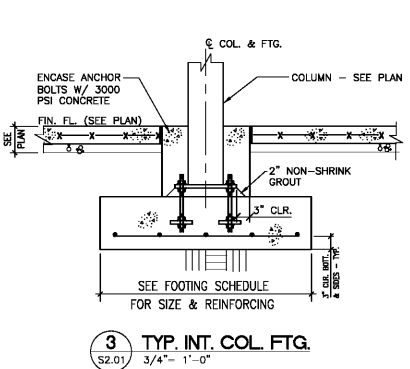
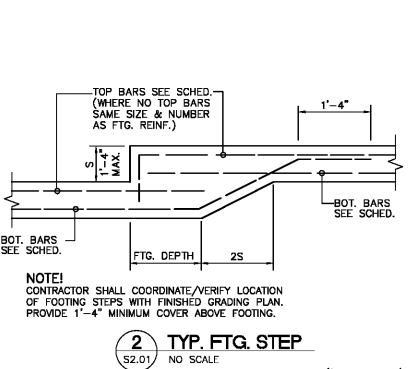
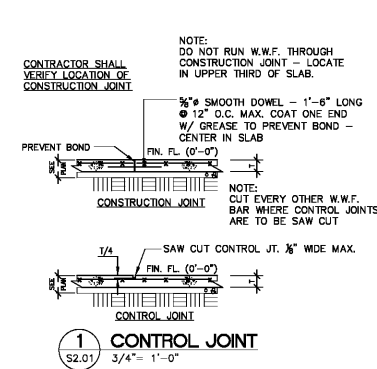
Revisions:

Number	Date	Description

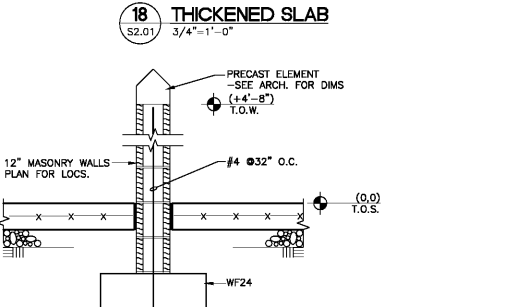
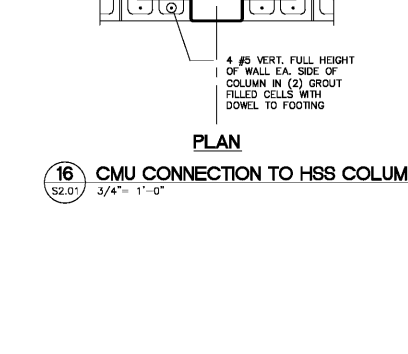
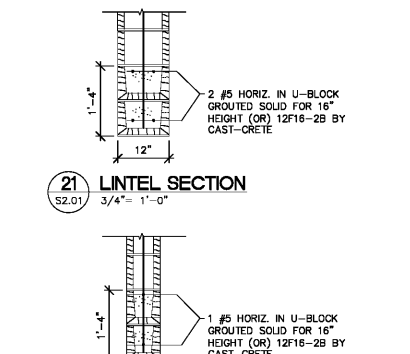
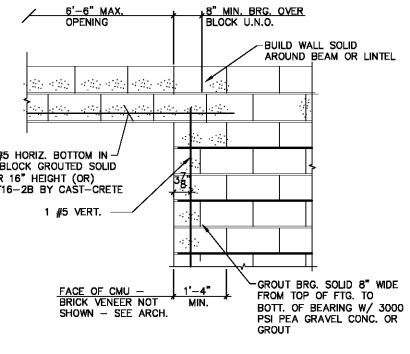
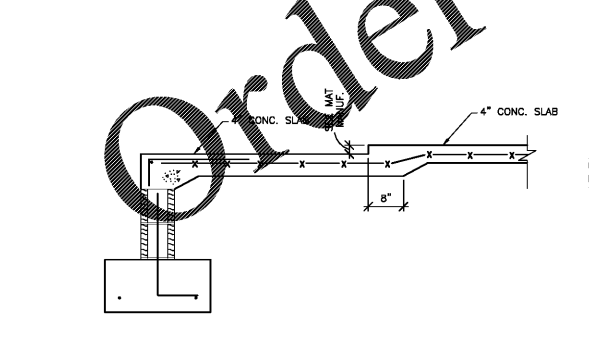
Project Title:
HYUNDAI SOUTH CHARLOTTE
10518 CADILLAC STREET
PINEVILLE, NC 28134
Project No.: 2638.00
Drawing Title:
FOUNDATION SECTIONS

SET ISSUE DATE
MARCH 4, 2020
100% CD

Sheet: **S2.01**



- INTERIOR & EXTERIOR SEISMIC MASONRY WALL REQUIREMENTS (UNLESS NOTED OTHERWISE)
1. VERTICAL REBAR (SEE PLAN) DOWELED INTO FOOTING EXTEND TO TOP OF WALL.
 2. HORIZONTAL REBAR AT TOP OF WALL, AT BEARING LINES & AT TOP OF FOOTING.
 3. PROVIDE TRUSS TYPE 9 GA. HORIZONTAL WALL TIES @ 18" (TWO WIRE JOINT REINFORCING W/1.7 OR LARGER).
 4. PROVIDE REBAR (OR LINTEL) AROUND OPENINGS.
 5. VERTICAL REBAR REQ'D EA. SIDE OF ALL VERT. WALL JOINTS (CONTROL & EXPANSION JOINTS).
 6. LAP VERTICAL REBAR 48 BAR(24" MIN.) 24" FOR #4, 30" FOR #6, 34" FOR #8, 48" FOR #10, 60" FOR #12.
 7. FILL BLOCK CELLS SOLID W/ 3000 PSI PEA GRAVEL CONC. OR GROUT WHERE REBAR IS REQUIRED.
 8. ALL HORIZONTAL AND VERTICAL REBAR TO BE POSITIONED IN BLOCK CELL BY PREFABRICATED WIRE POSITIONER @ 24" MAX. (9 GA. MIN.) - SUBMIT FOR APPROVAL.
 9. SEE BEAM OR LINTEL BEARING DETAIL FOR ADDITIONAL WALL REINFORCING REQUIRED UNDER BEARING PLATES.
 10. ALL BRICK TIES SHALL CONFORM WITH SEISMIC ZONE REQUIREMENTS - SUBMIT FOR APPROVAL.
 11. CONSTRUCT ALL WALLS IN 8'-0" MAXIMUM LIFTS.



Sheet Title: S2.01 - Foundation Sections - Hyundai - 3/4/2020 4:51 PM by CONOR. Saved: 3/4/2020 4:48 PM by CONOR

Order Plans @ WWW.LDOnline.com