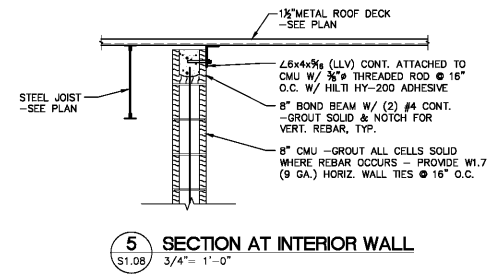
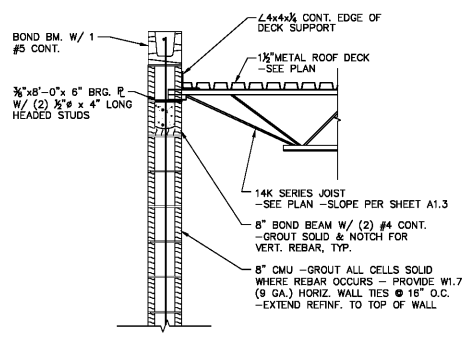


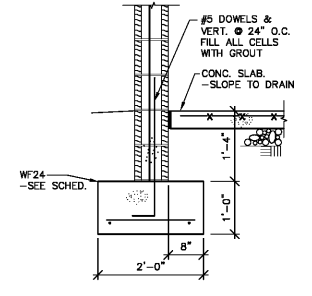
File: X:\Smiley_Engineering\Smiley_Eng_2019\1940 - Integra 2019\Hyundai Redesign of 2017 Plans\Struct\Plans-Hyundai_Planville; Plotted: 3/1/2020 4:50 PM by CONOR; Saved: 3/1/2020 4:12 PM by CONOR
 Sheet Template ID: ORE-F-07-B



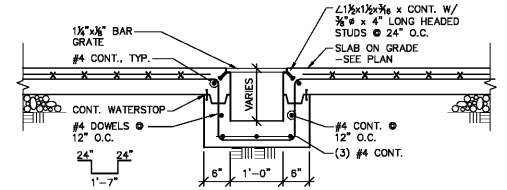
5 SECTION AT INTERIOR WALL
S1.08 3/4" = 1'-0"



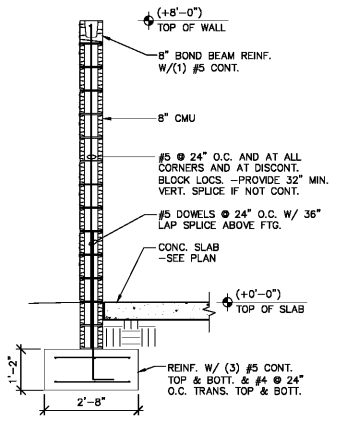
6 SECTION AT CMU WALL
S1.08 3/4" = 1'-0"



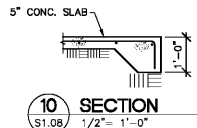
7 SECTION
S1.08 3/4" = 1'-0"



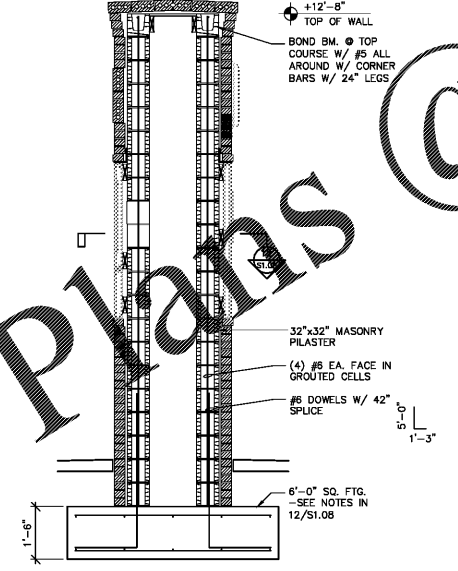
8 SECTION - SLAB TRENCH DRAIN
S1.08 SCALE: 3/4" = 1'-0"



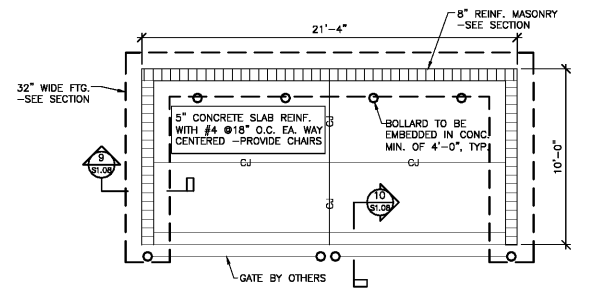
9 SECTION
S1.08 1/2" = 1'-0"



10 SECTION
S1.08 1/2" = 1'-0"

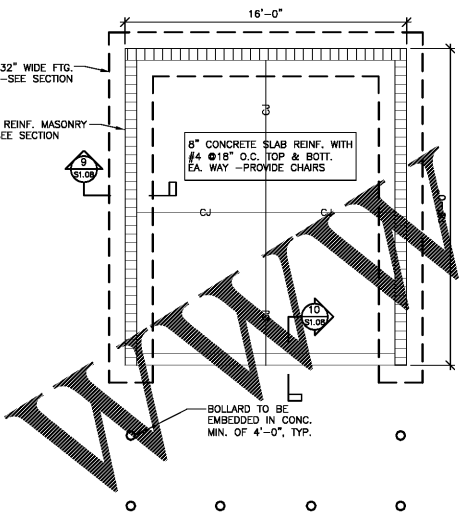


11 SECTION
S1.08 1/2" = 1'-0"



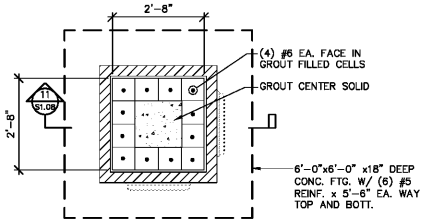
3 DUMPSTER FOUNDATION PLAN
S1.08 1/4" = 1'-0"

- NOTES:
1. TOP OF FOOTING - T.O.F. () REFERENCED FROM FIN. FL. ELEV. (0-0)
 2. TOP OF EXTERIOR FOOTINGS (-1'-4") TYPICAL UNLESS NOTED OTHERWISE.
 3. CONTRACT DRAWINGS SHALL NOT BE USED FOR SHOP DRAWINGS.
 4. SEE THIS SHEET FOR FOOTING SCHEDULE.
 5. SEE THIS SHEET FOR GENERAL NOTES.

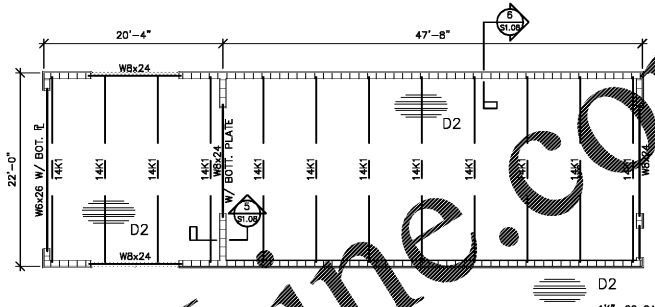


4 FUEL TANK ENCLOSURE FOUNDATION PLAN
S1.08 1/4" = 1'-0"

- NOTES:
1. TOP OF FOOTING - T.O.F. () REFERENCED FROM FIN. FL. ELEV. (0-0)
 2. TOP OF EXTERIOR FOOTINGS (-1'-4") TYPICAL UNLESS NOTED OTHERWISE.
 3. CONTRACT DRAWINGS SHALL NOT BE USED FOR SHOP DRAWINGS.
 4. SEE THIS SHEET FOR FOOTING SCHEDULE.
 5. SEE THIS SHEET FOR GENERAL NOTES.

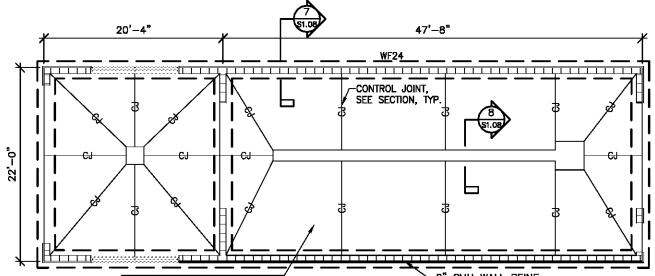


12 CLOCK TOWER PLAN
S1.08 1/2" = 1'-0"



2 CAR WASH ROOF FRAMING PLAN
S1.08 1" = 1'-0"

- NOTES:
1. ALL DIMENSIONS REFERENCED FROM FIN. FL. ELEV. XXX.50' (0-0).
 2. TOP OF STEEL - T.O.S. FOR JOIST BRG. AS SHOWN ON PLAN & SECTIONS (L.O.N.)
 3. CONTRACT DRAWINGS SHALL NOT BE USED FOR SHOP DRAWINGS.
 4. ALL BEAMS SHALL BE GRADE A992.
 5. SEE SHEET S3.02 FOR GENERAL NOTES.
 6. SEE SHEET S3.01 FOR BRACED FRAME ELEVATIONS & DETAILS.
 7. SEE UPLIFT DIAGRAM FOR JOIST DESIGN UPLIFT FORCES
 8. TYP. EXTERIOR WINDOW OPENINGS SHALL HAVE BRICK SUPPORTED BY 2x6x4x8 (LLV) LOOSE STEEL W/8" BEARING ON EA. SIDE.



1 CAR WASH FOUNDATION + FLOOR SLAB PLAN
S1.08 1/8" = 1'-0"

- NOTES:
1. TOP OF FOOTING - T.O.F. () REFERENCED FROM FIN. FL. ELEV. XXX.50' (0-0)
 2. CONTRACT DRAWINGS SHALL NOT BE USED FOR SHOP DRAWINGS.
 3. SEE S1.01 FOR FOOTING SCHEDULE.
 4. SEE SHEET S3.02 FOR GENERAL NOTES.

ALL STEEL @ CARWASH (JOISTS & BMS) SHALL BE HOT DIPPED GALVANIZED

1/2", 20 GA., TYPE "B" GALVANIZED G90 METAL DECK - FASTEN TO ALL SUPPORTS W/ 3/4" RUDDE WELDS IN 2" PATTERN - FASTEN SIDE LAPS W/ (7) #10 SCREWS BETWEEN SUPPORTS

Revisions:

Number	Date	Description

Project Title:
HYUNDAI SOUTH CHARLOTTE

10518 CADILLAC STREET
PINEVILLE, NC 28134

Project No. 2538.00

Drawing Title:
CAR WASH PLAN & SECTIONS

SET ISSUE DATE
MARCH 4, 2020
100% CD

Sheet
S1.08