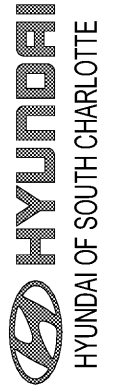




Date: 03/04/2020



Revisions:

Number	Date	Description

Project Title:
HYUNDAI SOUTH CHARLOTTE

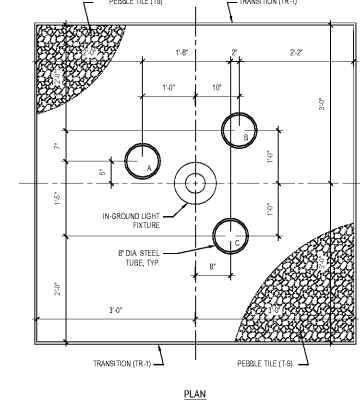
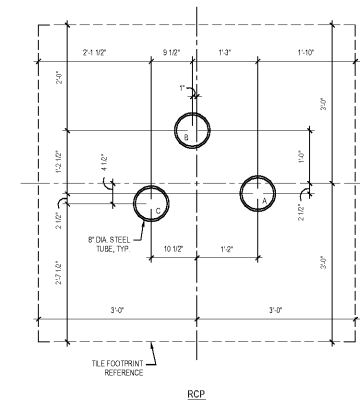
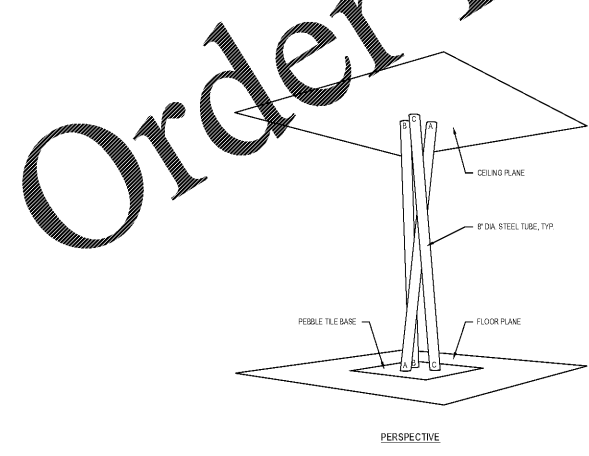
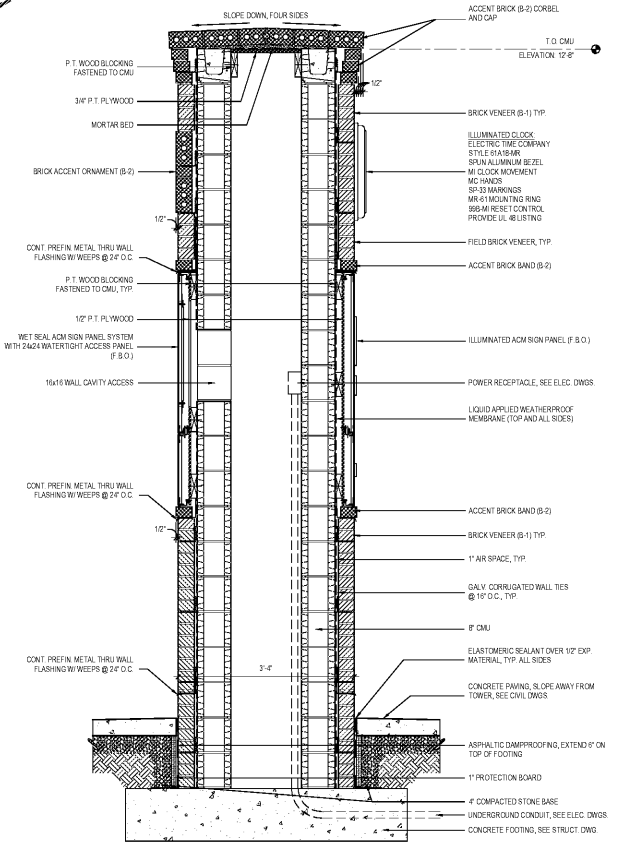
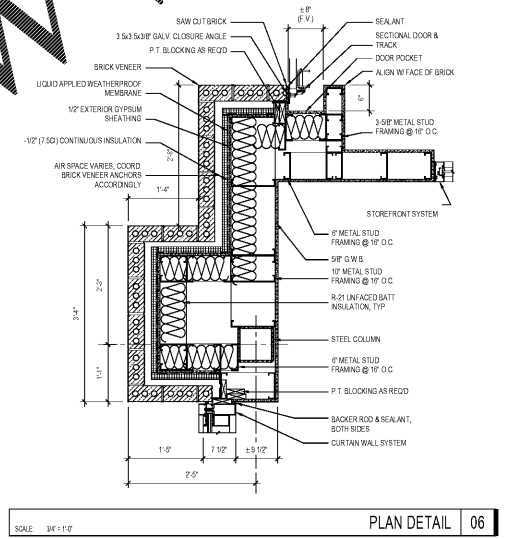
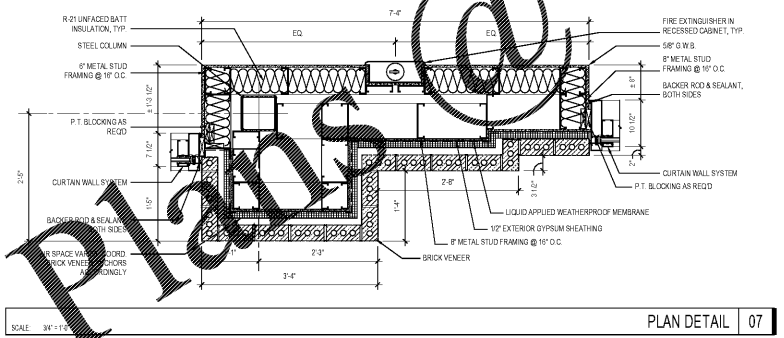
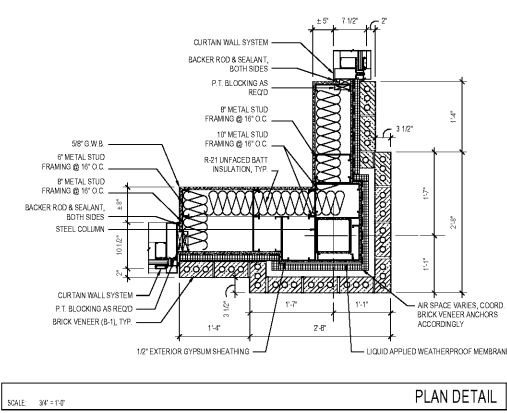
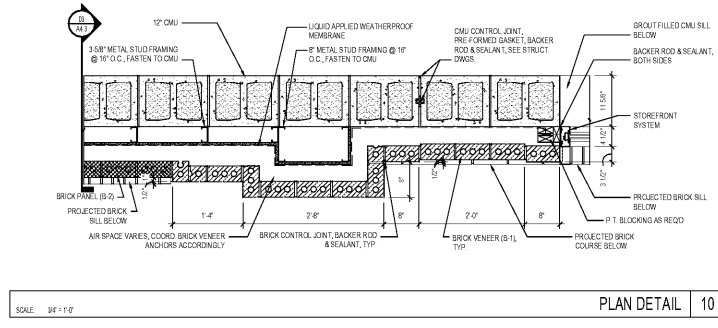
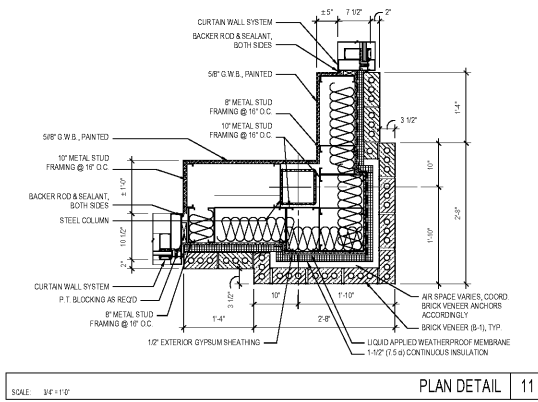
10618 CADILLAC STREET
PINEVILLE, NC 28134

Project No.: 252536.00

Drawing Title:
PLAN DETAILS AND SECTION DETAILS

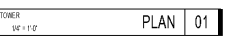
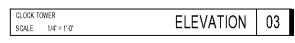
SET ISSUE DATE
▶ MARCH 4, 2020 ◀

Sheet:
A4.8



SCALE: 3/4" = 1'-0"

INCLINED COLUMNS 05



Order Plans @

WWW.LDILine.com