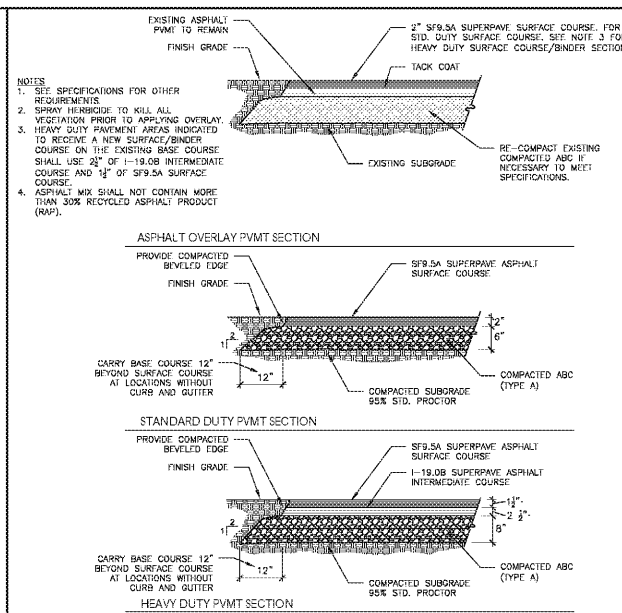
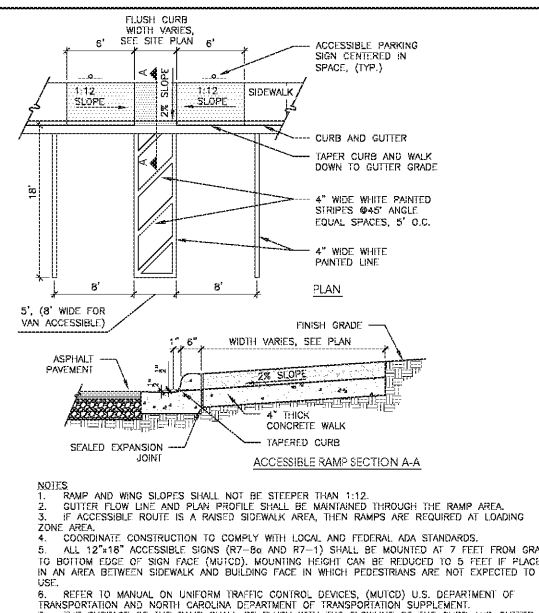


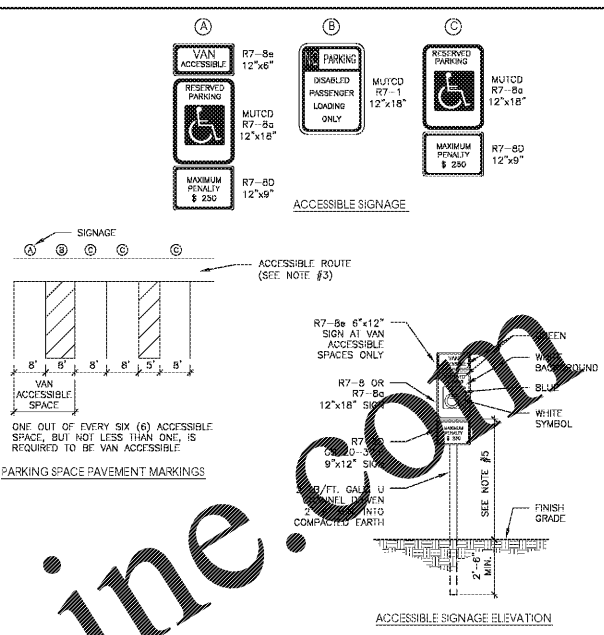
1 Concrete Sidewalk Detail (Outside Public Right of Way)
N.T.S.



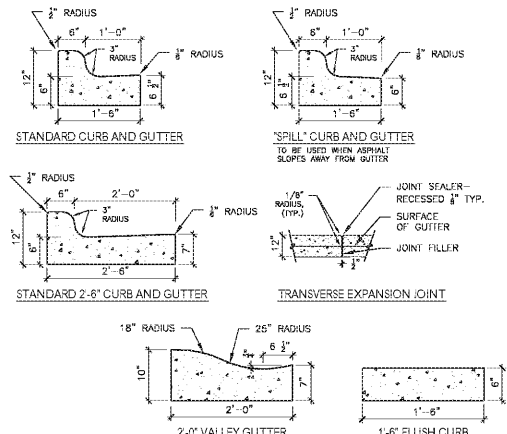
2 Asphalt Pavement Detail
N.T.S.



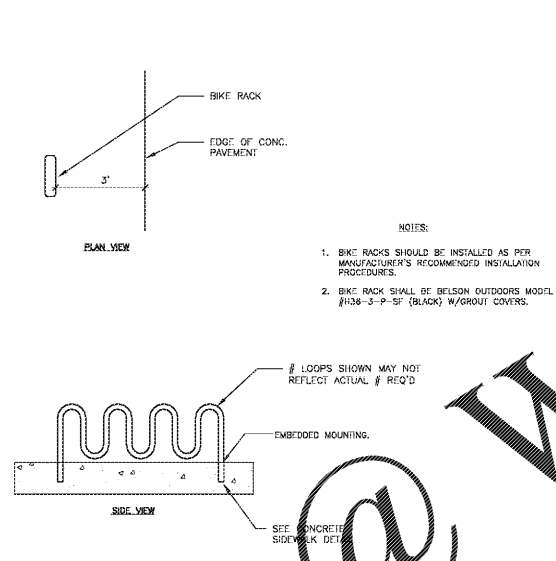
3 Accessible Parking/Signage/Striping Detail
N.T.S.



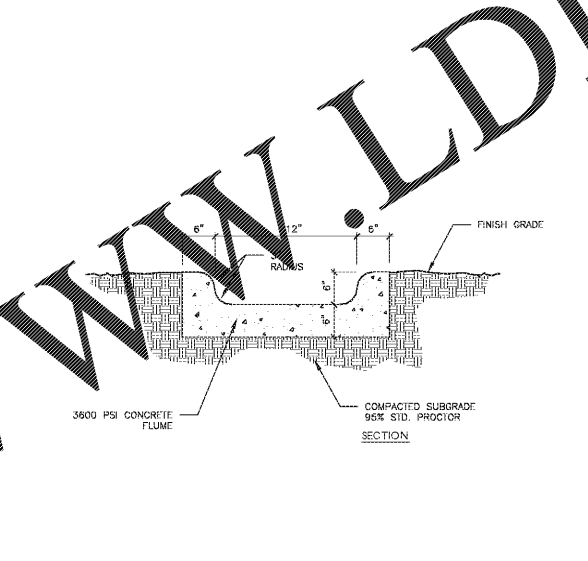
ACCESSIBLE SIGNAGE ELEVATION



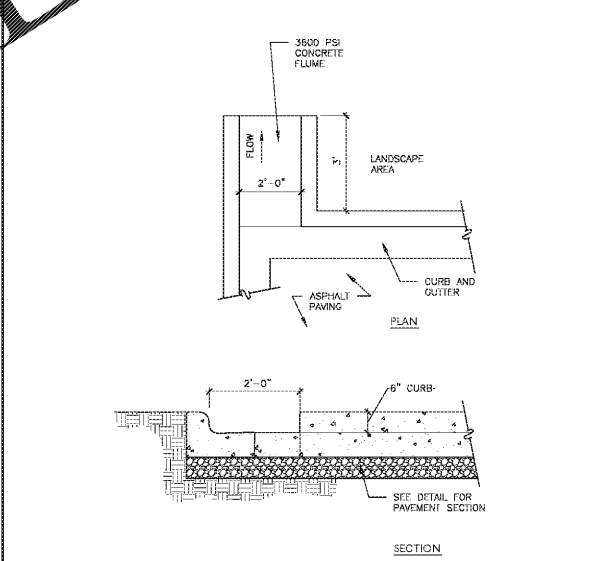
4 Concrete Curb and Gutter Detail
N.T.S.



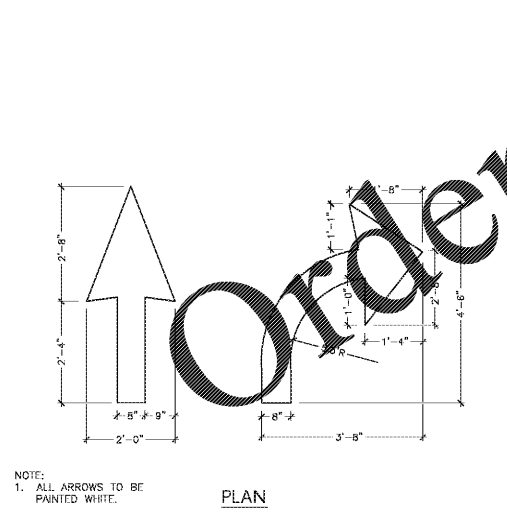
5 Bike Rack Detail
N.T.S.



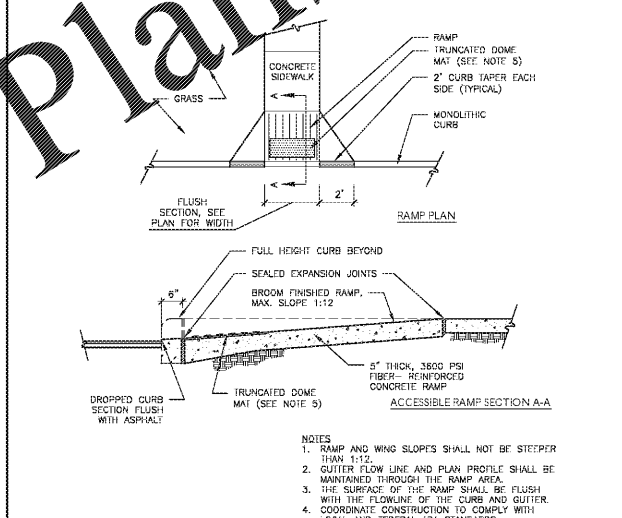
6 Concrete Flume Detail
N.T.S.



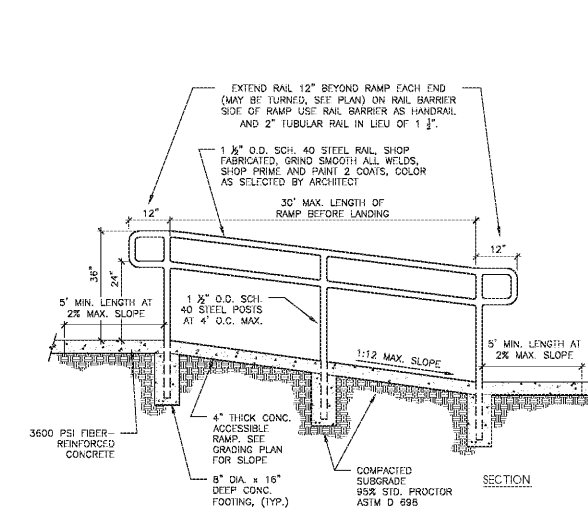
7 Concrete Flume
N.T.S.



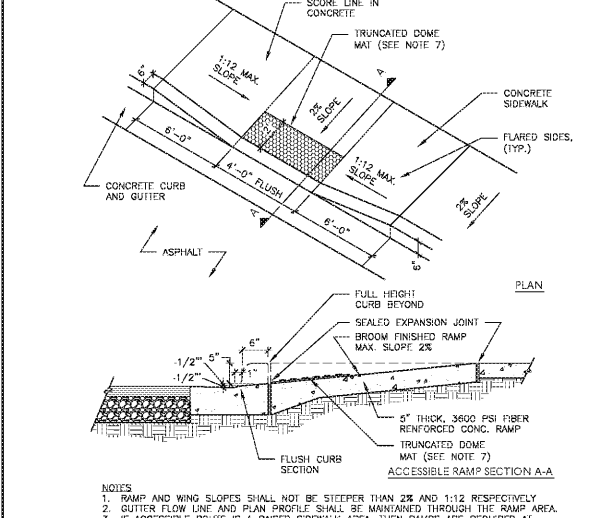
8 Painted Directional Arrows
N.T.S.



9 Accessible Ramp "A" Detail
N.T.S.



10 Accessible Ramp with Handrail Detail
N.T.S.



11 Accessible Ramp "B" Detail
N.T.S.

Order Plans @

WWW.LDILINE.COM