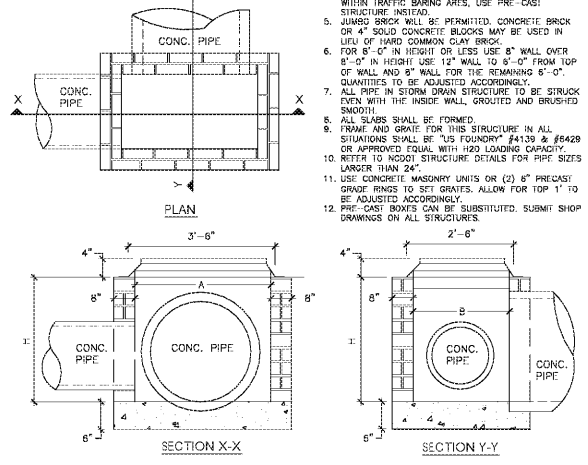


- NOTES:
- ALL DROP INLETS OVER 3'-0" IN DEPTH TO BE PROVIDED WITH STEPS 1'-2" ON CENTERS.
  - ALL CONCRETE TO BE 3000 P.S.I. COMPRESSIVE STRENGTH.
  - MORTAR JOINTS SHOULD BE BETWEEN 8" AND 12" THICK.
  - BRICK MASONRY DROP INLET NOT TO BE USED IN LOCATIONS SUBJECT TO TRAFFIC FOR STRUCTURES WITHIN TRAFFIC BARRING AREAS, USE PRE-CAST STRUCTURE INSTEAD.
  - JUMBO BRICK WILL BE PERMITTED. CONCRETE BRICK OR 4" SOLID CONCRETE BLOCKS MAY BE USED IN LIEU OF HARD COMMON CLAY BRICK.
  - FOR 6'-0" IN HEIGHT OR LESS USE 8" WALL OVER 8'-0" IN HEIGHT USE 12" WALL TO 8'-0" FROM TOP OF WALL AND 8" WALL FOR THE REMAINING 8'-0". QUANTITIES TO BE ADJUSTED ACCORDINGLY.
  - ALL PIPE IN STORM DRAIN STRUCTURE TO BE STRUCK EVEN WITH THE INSIDE WALL, GROUTED AND BRUSHED SMOOTH.
  - ALL SLABS SHALL BE FORMED.
  - FRAME AND GRATE FOR THIS STRUCTURE IN ALL SITUATIONS SHALL BE 1/8" FOUNDRY #4139 & #6428 OR APPROVED EQUAL WITH 120 LBS. LOAD CAPACITY.
  - REFER TO WOOD STRUCTURE DETAILS FOR PIPE SIZES LARGER THAN 24".
  - USE CONCRETE MASONRY UNITS OR (2) 6" PRECAST GRADE RINGS TO SET GRATES. ALLOW FOR TOP 1" TO BE ADJUSTED ACCORDINGLY.
  - PRE-CAST BOXES CAN BE SUBSTITUTED. SUBMIT SHOP DRAWINGS ON ALL STRUCTURES.



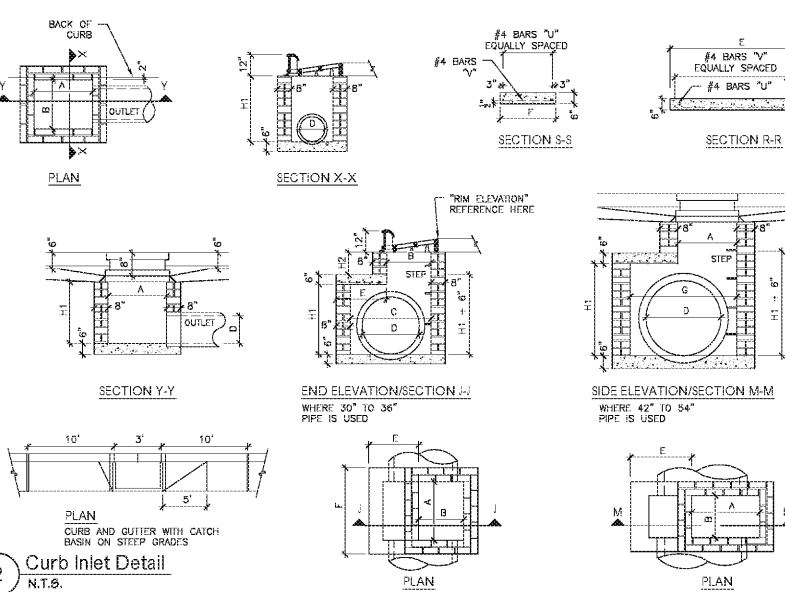
**DIMENSIONS AND QUANTITIES**

DIMENSIONS OF BOX & PIPE		CONC.		TOTAL BRICK MASONRY		DEDUCTIONS	
PIPE SIZE	SPAN	WIDTH	HEIGHT	PER FT. IN BASE	MIN. FOR ONE PIPE	C.M.	R.C.
12"	3'-0"	2'-0"	2'-8"	0.287	0.313	0.037	0.071
15"	3'-0"	2'-0"	2'-8"	0.287	0.313	0.037	0.071
18"	3'-0"	2'-0"	2'-8"	0.287	0.313	0.037	0.071
24"	3'-0"	2'-0"	2'-8"	0.287	0.313	0.037	0.071

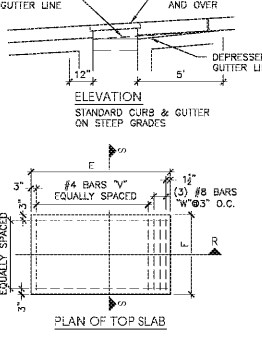
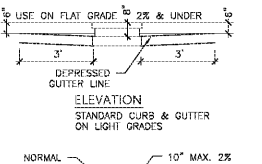
1 Drop Inlet Detail N.T.S.

**DIMENSIONS AND QUANTITIES FOR BRICK CATCH BASIN**

DIMENSIONS OF BOX AND PIPE		COVER		COVER REINFORCING		CONCRETE IN BOX		BRICK MASONRY	
PIPE SIZE	SPAN	WIDTH	HEIGHT	NO.	LENGTH	NO.	LENGTH	CU. YDS.	PER FT. HI.
12"	3'-0"	2'-4"	2'-8"	1	2'-4"	1	2'-4"	0.294	0.329
15"	3'-0"	2'-4"	2'-8"	1	2'-4"	1	2'-4"	0.294	0.329
18"	3'-0"	2'-4"	2'-8"	1	2'-4"	1	2'-4"	0.294	0.329
24"	3'-0"	2'-4"	2'-8"	1	2'-4"	1	2'-4"	0.294	0.329

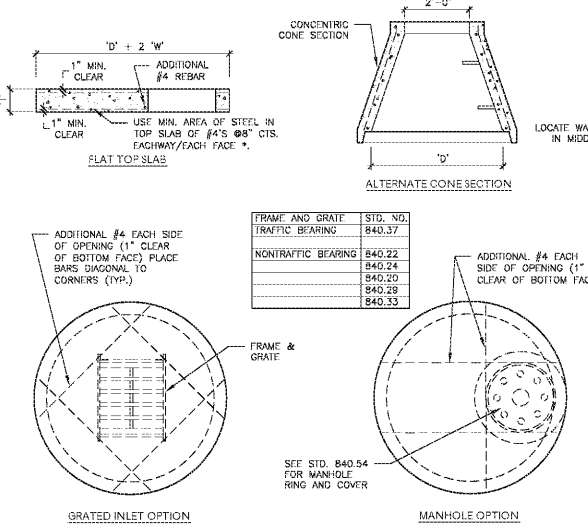


2 Curb Inlet Detail N.T.S.

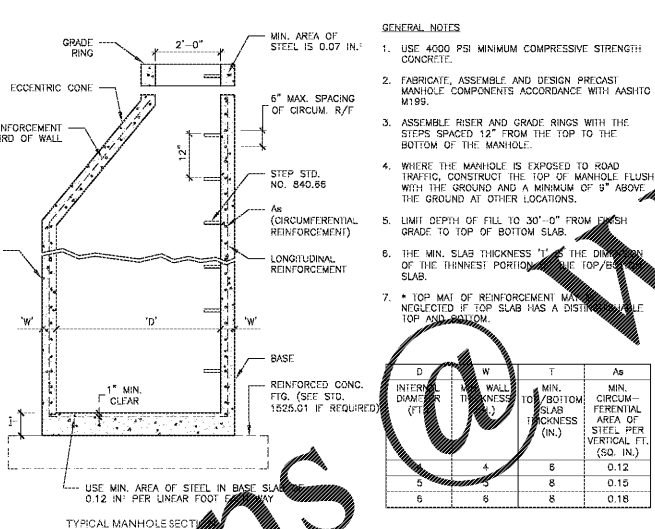


- NOTES:
- MORTAR JOINTS SHOULD BE BETWEEN 8" ± 2" THICK.
  - ALL CONCRETE TO BE 3000 P.S.I. COMPRESSIVE STRENGTH.
  - PRE-CAST CAN BE SUBSTITUTED. SUBMIT SHOP DRAWINGS ON ALL STRUCTURES.
  - ALL CURB BASINS OVER 3'-0" IN DEPTH SHALL BE PROVIDED WITH STEPS 12" ON CENTERS IN ACCORDANCE WITH NCDOT STD. 840.66.
  - CONCRETE BRICK MAY BE USED IN LIEU OF HARD COMMON CLAY BRICK.
  - JUMBO BRICK WILL BE PERMITTED.
  - FOR 8'-0" IN HEIGHT OR LESS USE 8" WALL OVER 8'-0" IN HEIGHT USE 12" WALL TO 8'-0" FROM TOP OF WALL AND 8" WALL FOR THE REMAINING 8'-0". QUANTITIES TO BE ADJUSTED ACCORDINGLY.
  - ALL PIPE IN STORM DRAIN STRUCTURE TO BE STRUCK EVEN WITH THE INSIDE WALL, GROUTED AND BRUSHED SMOOTH.
  - WEEP HOLES SHALL BE PLACED IN BRICKWORK AT 3' INTERVALS.
  - WEEP HOLES SHALL BE 1" (ONE) DIA. OF NUMBER ONE FABRIC SHOWN IN BAG OF PRODUCT.
  - BRICK SHALL BE BONDED WITH FULL LINES EVERY 3 COURSES.
  - FRAME AND GRATE SHALL BE IN ACCORDANCE WITH NCDOT STD. NO. 840.03 WITH SECTIONAL GRATES AS SHOWN HEREIN.

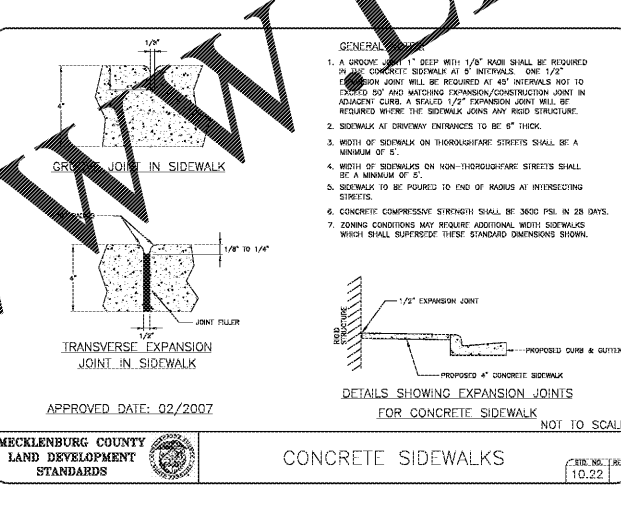
3 Temporary Tree Protection Barricade N.T.S.



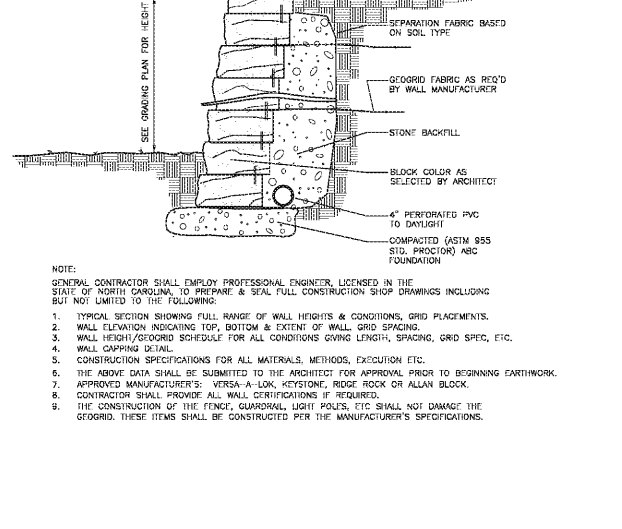
4 Precast Storm Manhole 12" Thru 48" Pipe NCDOT STD. 840.52



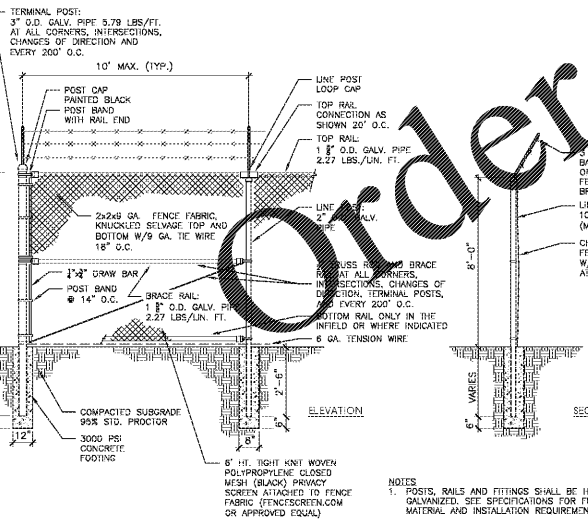
5 Typical Manhole Section



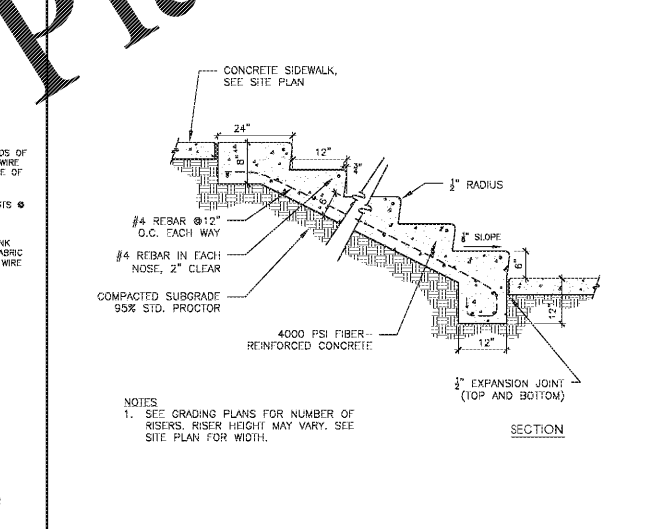
6 Concrete Sidewalk Detail (in Public R/W) N.T.S.



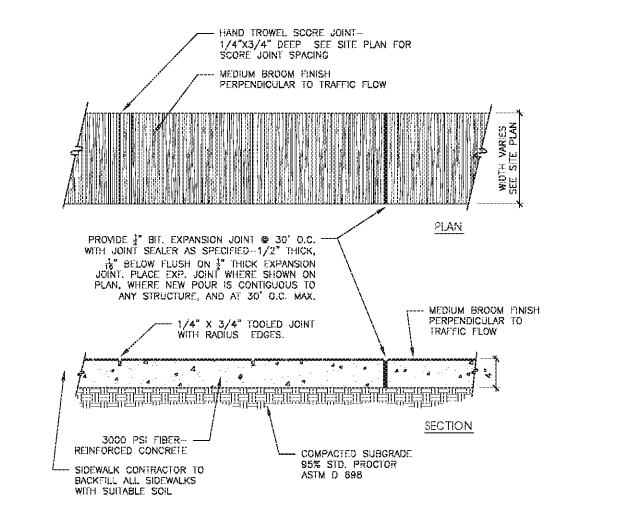
7 Segmental Block Retaining Wall



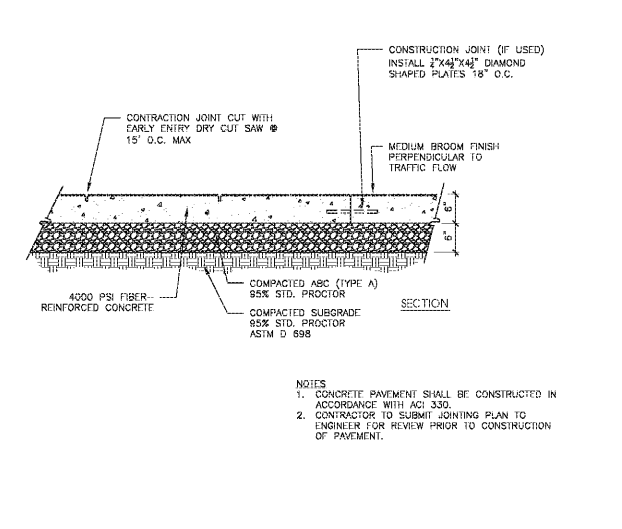
8 Chain Link Fence Detail N.T.S.



9 Concrete Steps N.T.S.



10 Concrete Apron Detail N.T.S.



11 Concrete Pavement - Vehicular N.T.S.

Order Plans

www.Downline.com