

2018 APPENDIX B BUILDING CODE SUMMARY FOR ALL COMMERCIAL PROJECTS

Name of Project: HYUNDAI OF SOUTH CHARLOTTE - CAR WASH
Address: 11818 CADILLAC STREET
City: PINEVILLE, NC 28134

2018 NC BUILDING CODE
2018 NC EXISTING BUILDING DATA
2018 NC NEW BUILDING DATA

CONSTRUCTION TYPE
CONSTRUCTION CLASSIFICATION
CONSTRUCTION CATEGORY

PERCENTAGE OF WALL OPENING CALCULATIONS
ALLOWABLE HEIGHT

Table with 3 columns: FLOOR, EXISTING (SQ FT), NEW (SQ FT), SUB-TOTAL. Rows for 8th, 7th, 6th, 5th, 4th, 3rd, 2nd, 1st, and Basement floors.

Table with 2 columns: Primary Occupancy Classification(s), ALLOWABLE AREA. Rows for Assembly, Business, Educational, Factory, Hazardous, Institutional, I-1, I-2, I-3, I-4, I-5, I-6, I-7, I-8, I-9, I-10, I-11, I-12, I-13, I-14, I-15, I-16, I-17, I-18, I-19, I-20, I-21, I-22, I-23, I-24, I-25, I-26, I-27, I-28, I-29, I-30, I-31, I-32, I-33, I-34, I-35, I-36, I-37, I-38, I-39, I-40, I-41, I-42, I-43, I-44, I-45, I-46, I-47, I-48, I-49, I-50, I-51, I-52, I-53, I-54, I-55, I-56, I-57, I-58, I-59, I-60, I-61, I-62, I-63, I-64, I-65, I-66, I-67, I-68, I-69, I-70, I-71, I-72, I-73, I-74, I-75, I-76, I-77, I-78, I-79, I-80, I-81, I-82, I-83, I-84, I-85, I-86, I-87, I-88, I-89, I-90, I-91, I-92, I-93, I-94, I-95, I-96, I-97, I-98, I-99, I-100.

Table with 2 columns: STORY NO, DESCRIPTION AND USE, (A) BLDG AREA PER STORY (ACTUAL), (B) TABLE 506.2 AREA, (C) AREA FOR FRONTAGE INCREASE, (D) ALLOWABLE AREA PER STORY OR UNLIMITED.

Table with 2 columns: BLDG HEIGHT IN FEET (Table 504.3), ALLOWABLE, SHOWN ON PLANS, CODE REFERENCE. Rows for 55' and 20' heights.

Table with 2 columns: BLDG HT. IN STORES (Table 504.4), ALLOWABLE, SHOWN ON PLANS, CODE REFERENCE. Rows for 2 and 1 stories.

Table with 2 columns: Building Element, FIRE PROTECTION REQUIREMENTS. Rows for Structural Frame, Exterior Walls, Interior Walls, etc.

Table with 2 columns: Building Element, FIRE PROTECTION REQUIREMENTS. Rows for Exterior Walls, Interior Walls, etc.

Table with 2 columns: Building Element, FIRE PROTECTION REQUIREMENTS. Rows for Exterior Walls, Interior Walls, etc.

Table with 2 columns: Building Element, FIRE PROTECTION REQUIREMENTS. Rows for Exterior Walls, Interior Walls, etc.

Table with 2 columns: Building Element, FIRE PROTECTION REQUIREMENTS. Rows for Exterior Walls, Interior Walls, etc.

Table with 2 columns: Building Element, FIRE PROTECTION REQUIREMENTS. Rows for Exterior Walls, Interior Walls, etc.

Table with 2 columns: Building Element, LIFE SAFETY SYSTEM REQUIREMENTS. Rows for Emergency Lighting, Exit Signs, Fire Alarm, etc.

Table with 2 columns: Building Element, LIFE SAFETY SYSTEM REQUIREMENTS. Rows for Emergency Lighting, Exit Signs, Fire Alarm, etc.

Table with 2 columns: Building Element, LIFE SAFETY SYSTEM REQUIREMENTS. Rows for Emergency Lighting, Exit Signs, Fire Alarm, etc.

Table with 2 columns: Building Element, LIFE SAFETY SYSTEM REQUIREMENTS. Rows for Emergency Lighting, Exit Signs, Fire Alarm, etc.

Table with 2 columns: Building Element, LIFE SAFETY SYSTEM REQUIREMENTS. Rows for Emergency Lighting, Exit Signs, Fire Alarm, etc.

Table with 2 columns: Building Element, LIFE SAFETY SYSTEM REQUIREMENTS. Rows for Emergency Lighting, Exit Signs, Fire Alarm, etc.

Table with 2 columns: Building Element, SPECIAL APPROVALS. Rows for Emergency Lighting, Exit Signs, Fire Alarm, etc.

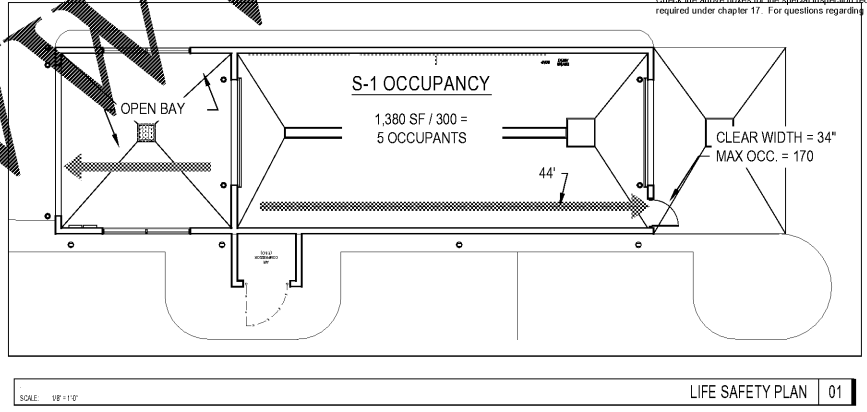
Table with 2 columns: Building Element, SPECIAL APPROVALS. Rows for Emergency Lighting, Exit Signs, Fire Alarm, etc.

Table with 2 columns: Building Element, SPECIAL APPROVALS. Rows for Emergency Lighting, Exit Signs, Fire Alarm, etc.

Table with 2 columns: Building Element, SPECIAL APPROVALS. Rows for Emergency Lighting, Exit Signs, Fire Alarm, etc.

Table with 2 columns: Building Element, SPECIAL APPROVALS. Rows for Emergency Lighting, Exit Signs, Fire Alarm, etc.

Table with 2 columns: Building Element, SPECIAL APPROVALS. Rows for Emergency Lighting, Exit Signs, Fire Alarm, etc.



Order Plans @ WWW.LDILine.com

WWW.LDILine.com

- SCHEDULE OF SPECIAL INSPECTION SERVICES
No special inspections required for this project
Special inspections required
IT-1 Verification of Soils
IT-2 Excavation and F.I.I.
IT-3 Filling and Drilling Piers
IT-4 Modular Retaining Walls
IT-5 Reinforced Concrete
IT-6 Post Tension Slab
IT-7 Pre-cast Concrete Erection
IT-8 Pre-stressed Concrete
IT-9 Inspection of Pre-Cast Fabricators
IT-10 Inspection of Structural Steel Fabricators
IT-11 Structural Masonry
IT-12 Welding
IT-13 High Strength Bolts & Steel Framing Insp
IT-14 Sprayed Fire Resistance Materials
IT-15 Exterior Insulation and Finish system
IT-16 Seismic Resistance
IT-17 Smoke Control
IT-18 Wood
IT-19 Special Cases

FOIN+EGRA
an Ingra Architecture, PLLC DBA
118 East Kingston Avenue, Ste. 20
Charlotte, NC 28203
704.372.0001
www.foin+egra.com
Professional Engineer Seal for Richard Clebs
North Carolina Professional Engineer Seal for Richard Clebs

HYUNDAI
HYUNDAI OF SOUTH CHARLOTTE

Table with 3 columns: Number, Date, Description. Revisions section.

SET ISSUE DATE
MARCH 4, 2020
Sheet CS3