

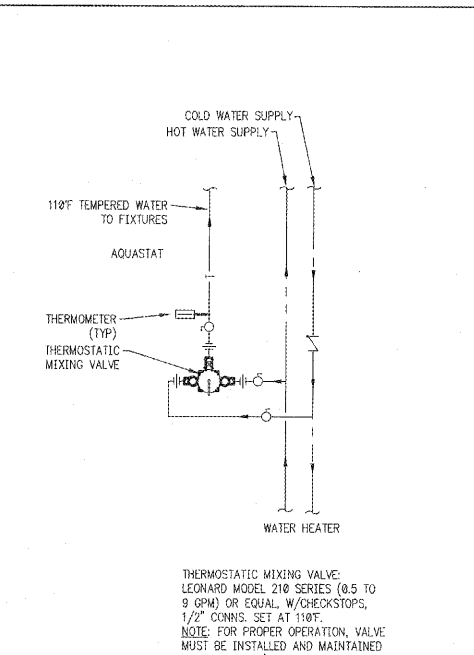
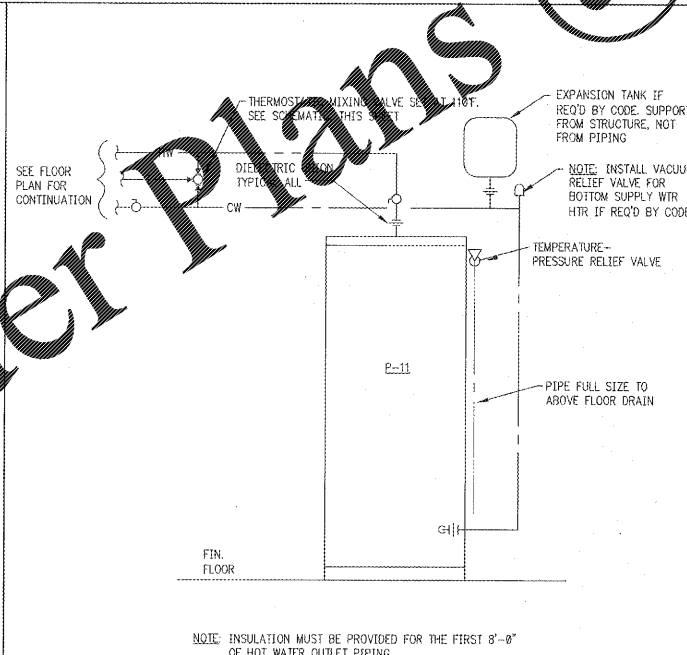
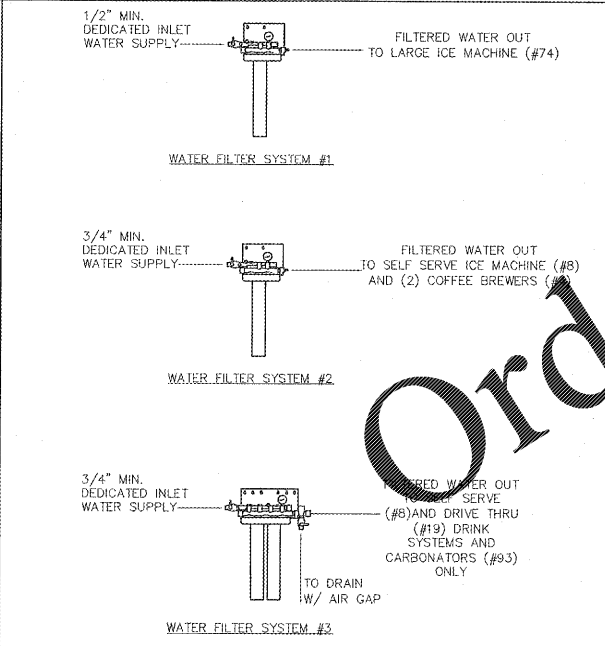
SEE SHEET P-3 FOR PIPING SCHEMATIC AND PIPE SIZES

- NOTES**
- PERFORM ALL WORK IN ACCORDANCE WITH SPECIFICATIONS DIVISION 15.
 - WHILE EVERY ATTEMPT HAS BEEN MADE IN THE PREPARATION OF THIS PLAN TO PRESENT COMPLETE DOCUMENTS, THE DESIGNER AND COMPANY CANNOT GUARANTEE AGAINST EQUIPMENT SUBSTITUTIONS OR UNFORESEEN FIELD CONDITIONS. THE CONTRACTOR SHALL VERIFY ALL DIMENSIONS AND DETAILS AND IMMEDIATELY REPORT ANY DISCREPANCIES TO OWNER/ARCHITECT/ENGINEER.
 - CONTRACTOR SHALL CHECK EQUIPMENT NOT IN CONTRACT PRIOR TO INSTALLATION TO VERIFY THAT SERVICE REQUIREMENTS ARE CORRECTLY SIZED AND ROUGH-IN PROPERLY. VERIFICATION REQUIRED TO MINIMIZE THE AMOUNT OF MATERIALS AND FITTINGS NECESSARY FOR FINAL CONNECTION TO RESULT IN A NEAT AND ORDERLY INSTALLATION.
 - CONTRACTOR SHALL FURNISH AND INSTALL SHUTOFF VALVES IN WATER LINES TO ALL EQUIPMENT. INSTALL 18" A.F.F. UNLESS OTHERWISE INDICATED.
 - PLUMBING CONTRACTOR SHALL FURNISH ALL CONDENSATE DRAINS AND INDIRECT WASTE LINES REQUIRED FOR EQUIPMENT.
 - CONTRACTOR SHALL FURNISH AND INSTALL 1/2" FLEXIBLE METAL BRAIDED WATER SUPPLY LINE FOR FINAL CONNECTION TO EQUIPMENT. SUPPLY LINE SHALL ALLOW 12" MAXIMUM MOVEMENT OF EQUIPMENT.
 - INSTALL FLOOR DRAINS LEVEL WITH FINISHED FLOOR. KITCHEN AREA SO EQUIPMENT DOES NOT SLIDE INTO DEPRESSIONS.
 - COORDINATE WITH G.C. AND ALL OTHER DISCIPLINES TO AVOID CONFLICTS WITH STRUCTURAL, MECHANICAL AND ELECTRICAL CONDITIONS AND EQUIPMENT.
 - IF NECESSARY DUE TO UNUSUAL BUILDING PRESSURE, P.C. SHALL PROVIDE AND INSTALL WATER PRESSURE BOOSTER PUMP. P.C. SHALL VERIFY AVAILABLE WATER PRESSURE AT THE BUILDING. WATER PRESSURE REQUIREMENTS, NO BOOSTER REQUIRED IF BLDG. WATER PRESSURE DOWNSTREAM OF METER AND BFP IN THE BUILDING IS EQUAL TO OR GREATER THAN 45 PSI. IF BLDG. PRESSURE DOWNSTREAM OF METER AND BFP IS LESS THAN 45 PSI, CONTACT DESIGN ENGINEER TO SELECT A PUMP MODEL AND P.C. SHALL PROVIDE AND INSTALL FULL BLDG. BOOSTER PUMP. PRESSURE REQUIREMENTS ARE DETERMINED BY 7 GPM AVAILABLE AT BUILDING ENTRANCE DOWNSTREAM OF SERVICE METER. BACKFLOW PREVENTER, PUMP SHALL BE INSTALLED ON COLD WATER MAIN DOWNSTREAM OF THE BACKFLOW PREVENTER AND UPSTREAM OF THE PRESSURE REDUCING VALVE.

- SHEET NOTES**
- WATER SERVICE ENTRANCE. PLUMBING CONTRACTOR SHALL INSTALL DOMESTIC WATER PIPING 6"-8" OUTSIDE OF BUILDING, TO BE CONTINUED BY SITE CONTRACTOR. VERIFY WITH LOCAL AUTHORITIES TO DETERMINE TYPE OF BACKFLOW PREVENTION REQUIRED AND AVAILABLE WATER PRESSURE. IF AVAILABLE PRESSURE IS LESS THAN 60 PSIG AT THE BUILDING, CONTACT HARDEE'S CONSTRUCTION REPRESENTATIVE. FIELD COORDINATE WITH WATER COMPANY AND SITE CONTRACTOR.
 - FURNISH AND INSTALL WATER HAMMER ARRESTORS IN THE DOMESTIC COLD AND HOT WATER PIPING AS SHOWN ON THE WATER RISER DIAGRAM. WATER HAMMER ARRESTORS TO BE LOCATED IN AN ACCESSIBLE LOCATION.
 - WATER FILTER UNIT PROVIDED BY OWNER. SEE WATER FILTER SPECIFICATIONS AND DETAIL 5 THIS SHEET FOR MODEL AND WATER FILTER OUTLET CONTINUATION TO EQUIPMENT. NO EXPOSED PIPING TO EQUIPMENT AND MOUNT FILTERS ON WALL AT CLG. HT.
 - WATER FOR COFFEE MACHINE TO BE 64" AFF.
 - EXTEND 3/4" WATER PIPING THRU ROOF FOR ROOF MOUNTED POST HYDRANT. HYDRANT SHALL BE FREEZEPROOF TYPE, SECURELY BRACKET TO PARAPET WALL ABOVE THE ROOF. COORDINATE ROOF PENETRATION WITH ROOF SYSTEM REQUIREMENTS. ROOFING BY GENERAL CONTRACTOR. DRAIN TO 72 FLOOR SINK.
 - CONTRACTOR SHALL SUPPLY AND INSTALL TRAP PRIMERS FOR ALL FLOOR DRAIN TRAPS SUBJECT TO EVAPORATION DUE TO INFREQUENT USE. CONNECT TO NEAREST 1/2" COLD WATER BRANCH SUPPLY PIPING AND PIPE UNDER SLAB TO FLOOR DRAIN. DISTRIBUTION FITTINGS MAY BE USED TO PROTECT SEVERAL DRAINS FROM ONE WATER SOURCE. COORDINATE WITH FLOOR DRAIN LOCATIONS. VERIFY CONDITIONS.
 - SEE CIVIL DRAWINGS FOR CONTINUATION.
 - INSTALL MIXING VALVE PER CODE AND MANUFACTURER'S RECOMMENDATIONS. CONNECT TO WATER PIPING IN AN ACCESSIBLE LOCATION.

DOMESTIC WATER PLUMBING PLAN

SCALE: 1/4" = 1'-0"



EQUIPMENT WATER CONNECTIONS

MARK	DESCRIPTION	CW	HW	TW	FW	BACKFLOW PREVENTER
4	COFFEE BREWERS	NA	NA	NA	1/2"	WATTS 98D
93	CARBONATOR	NA	NA	NA	1/2"	WATTS 98D
99	HOT WATER DISPENSER	NA	NA	NA	1/2"	WATTS 98D
19	SODA/ICE DISPENSER	NA	NA	NA	1/2"	WATTS SS989
6	BEVERAGE STATION/ICE MAKER	NA	NA	NA	1/2"	WATTS 98D
74	BACK-OF-HOUSE ICE MAKER	NA	NA	NA	1/2"	WATTS 98D
P-1	FLUSH VALVE WATER CLOSET	1"	NA	NA	NA	INTEGRAL VB
P-1A	FLUSH VALVE WATER CLOSET	1"	NA	NA	NA	INTEGRAL VB
P-2	URINAL	3/4"	NA	NA	NA	INTEGRAL VB
P-3	LAVATORY	NA	NA	1/2"	NA	AIR GAP
P-8	POST HYDRANT ON ROOF	3/4"	NA	NA	NA	INTEGRAL VB
P-13	UTILITY SINK	1/2"	1/2"	NA	NA	INTEGRAL VB
72	1-COMPARTMENT SINK FAUCET	1/2"	1/2"	NA	NA	WATTS LF088PCOT
78	3-COMPARTMENT SINK	1/2"	1/2"	NA	NA	WATTS LF088PCOT
9	KITCHEN HAND WASH SINK	NA	NA	1/2"	NA	AIR GAP

* BACKFLOW DEVICES LISTED FOR REFERENCE ONLY. SOME EQUIPMENT MAY HAVE INTERNAL BACKFLOW PROTECTION AND SOME PROTECTION MAY NOT BE REQUIRED FOR ALL EQUIPMENT AS SHOWN. ACTUAL DEVICES SHALL BE SUPPLIED AND INSTALLED PER STATE AND/OR LOCAL CODE OR UTILITY REQUIREMENTS.

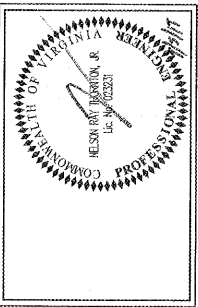
WATER FILTER SPECIFICATIONS:
 NOTE: COORDINATE WATER FILTER MODELS SUPPLIED BY BEVERAGE EQUIPMENT SUPPLIER PRIOR TO ROUGH-IN TO VERIFY MODEL NUMBERS AND CONNECTION REQUIREMENTS.
 WATER FILTER #1 & #2 = 3M MODEL NO. ICE-195-S
 WATER FILTER #3 = 3M MODEL NO. HF 95-S

IF ANY DISCREPANCIES ARE FOUND ON THE PLANS, THE PLUMBING CONTRACTOR SHALL BID THE MORE CONSERVATIVE SPECIFICATION AND CALL ENGINEER FOR CLARIFICATION.

WHILE EVERY ATTEMPT HAS BEEN MADE IN THE PREPARATION OF THIS PLAN TO AVOID MISTAKES, THE DESIGNER AND COMPANY CANNOT GUARANTEE AGAINST ERROR OR UNFORESEEN FIELD CONDITIONS. THE CONTRACTOR OR BUILDER MUST CHECK ALL DIMENSIONS, DETAILS AND REPORT ANY DISCREPANCIES.

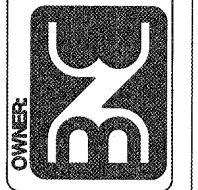
NRO Project # 18228

NRO
 NATIONAL RESTAURANT ARCHITECTS & ENGINEERS
 3015 CARRINGTON HILL BLVD., SUITE 105
 MORRISVILLE, NORTH CAROLINA 27560
 PH: 919 544 7231 FAX: 919 544 9399
 A Division of LMHT Associates



Hardees
 HARDEE'S CONSTRUCTION
 ONE WOOD PROTOTYPE REVERSE
 LARGE DINING ROOM-EN2016 LD-R
 COUNTY DRIVE
 DORSET, VA 22622

BODDE-NOELL ENTERPRISES, INC.
 P.O. BOX 1008
 ROCKY MOUNT, N.C. 27802-1008
 (252) 987-2800



REVISIONS

NO.	DATE	DESCRIPTION

PLUMBING WATER PLAN

DATE: 9-4-2019

SHEET NUMBER:
P2

Order Plans @

WWW.LDILINE.COM