

HOOD INFORMATION - Job#2608533

| HOOD NO. | TAG | MODEL | LENGTH | MAX. COOKING TEMP. | EXHAUST PLENUM | | | | TOTAL SUPPLY CFM | HOOD CONSTRUCTION | HOOD CONFIG. | | SWITCHES | | |
|----------|---------------|-----------------|-----------|--------------------|----------------|-------|--------|------|------------------|-------------------|--------------|----------------------|----------|------------|-----|
| | | | | | WIDTH | LENG. | HEIGHT | DIA. | | | CFM | S.P. | | END TO END | ROW |
| 1 | BLODGETT OVEN | 4224 ND-2-PSP-F | 5' 6.00" | 450 Deg. | 977 | | 4' | 10' | 977 | -0.327" | 782 | 430 SS Where Exposed | ALDNE | ALDNE | |
| 2 | BROILER HOOD | 4830 ND-2 | 3' 1.00" | 600 Deg. | 660 | | 4' | 8' | 660 | -0.450" | 0 | 430 SS Where Exposed | ALDNE | ALDNE | |
| 3 | GRIDDLE/FRYER | 3044 BD-2-PSP-F | 10' 9.00" | 450 Deg. | 1989 | | 4' | 14' | 1989 | -0.607" | 1351 | 430 SS Where Exposed | ALDNE | ALDNE | |

VERIFY CEILING HEIGHT
 Height required to verify that the hood will fit and to size the enclosure panels

HOOD INFORMATION

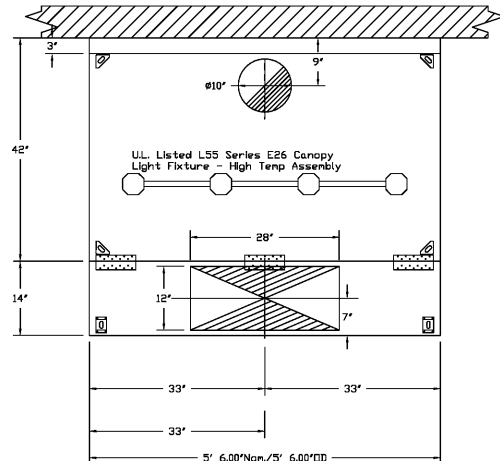
| HOOD NO. | TAG | TYPE | FILTER(S) | | LIGHT(S) | | WIRE GUARD | LOCATION | SIZE | UTILITY CABINET(S) | | | FIRE SYSTEM HANGING PIPING | HOOD HANGING WGT |
|----------|---------------|------------------------|-----------|--------|----------|------------------------|------------|----------------|------|--------------------|------|------------------|----------------------------|------------------|
| | | | QTY. | HEIGHT | LENGTH | EFFICIENCY @ 9 MICRONS | | | | QTY. | TYPE | FIRE SYSTEM | | |
| 1 | BLODGETT OVEN | SS Baffle with Handles | 4 | 16" | 16" | 30% | 4 | L55 Series E26 | NO | | | 1 LIGHT 1 FAN | YES | 322 LBS |
| 2 | BROILER HOOD | Captrate Solo Filter | 2 | 20" | 16" | 93% See Filter Spec. | 0 | | | | | 1 LIGHT 1 FAN | YES | 204 LBS |
| 3 | GRIDDLE/FRYER | SS Baffle with Handles | 8 | 16" | 16" | 30% | 7 | L55 Series E26 | NO | | | 1 LIGHT 1 FAN | YES | 455 LBS |

HOOD OPTIONS

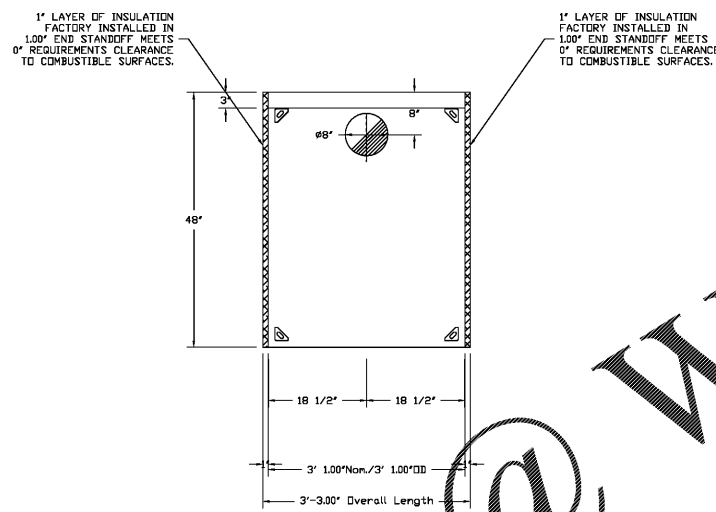
| HOOD NO. | TAG | OPTION | |
|----------|---------------|---|---|
| | | FIELD WRAPPER | RIGHT QUARTER END PANEL |
| 1 | BLODGETT OVEN | 12.00" High Front, Left, Right | 23" Top Width, 0" Bottom Width, 23" High 430 SS |
| | | 23" Top Width, 0" Bottom Width, 23" High 430 SS | |
| 2 | BROILER HOOD | 1" Wide 48" Long Insulated | 1" Wide 48" Long Insulated |
| | | 37.00" Long | |
| 3 | GRIDDLE/FRYER | 17.00" High Front, Left, Right | 20" Top Width, 0" Bottom Width, 20" High 430 SS |
| | | 20" Top Width, 0" Bottom Width, 20" High 430 SS | |

PERFORATED SUPPLY PLENUM(S)

| HOOD NO. | TAG | POS. | LENGTH | WIDTH | HEIGHT | TYPE | WIDTH | LENG. | DIA. | CFM | S.P. |
|----------|---------------|-------|--------|-------|--------|------|-------|-------|------|-----|--------|
| 1 | BLODGETT OVEN | Front | 66" | 14" | 6" | MJA | 12" | 28" | | 790 | 0.183" |
| 3 | GRIDDLE/FRYER | Front | 129" | 16" | 6" | MJA | 12" | 28" | | 674 | 0.148" |



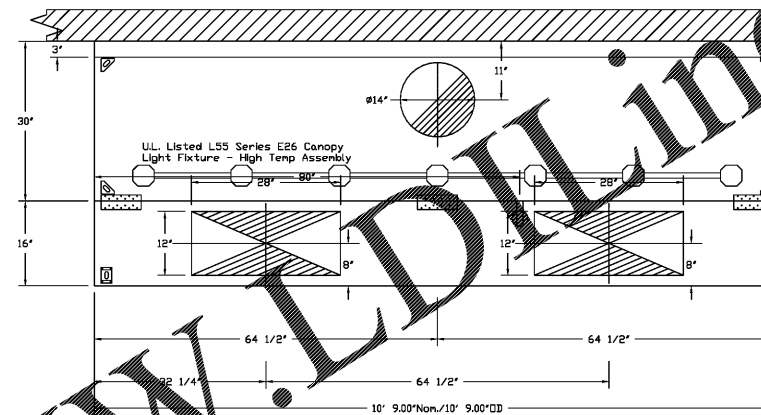
PLAN VIEW - Hood #1 (BLODGETT OVEN)
 5' 6.00" LONG 4224ND-2-PSP-F



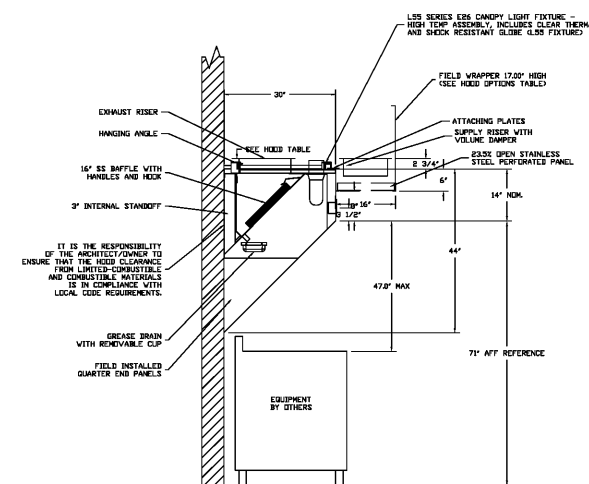
PLAN VIEW - Hood #2 (BROILER HOOD)
 3' 1.00" LONG 4830ND-2

Fire System Information - Job#2608533

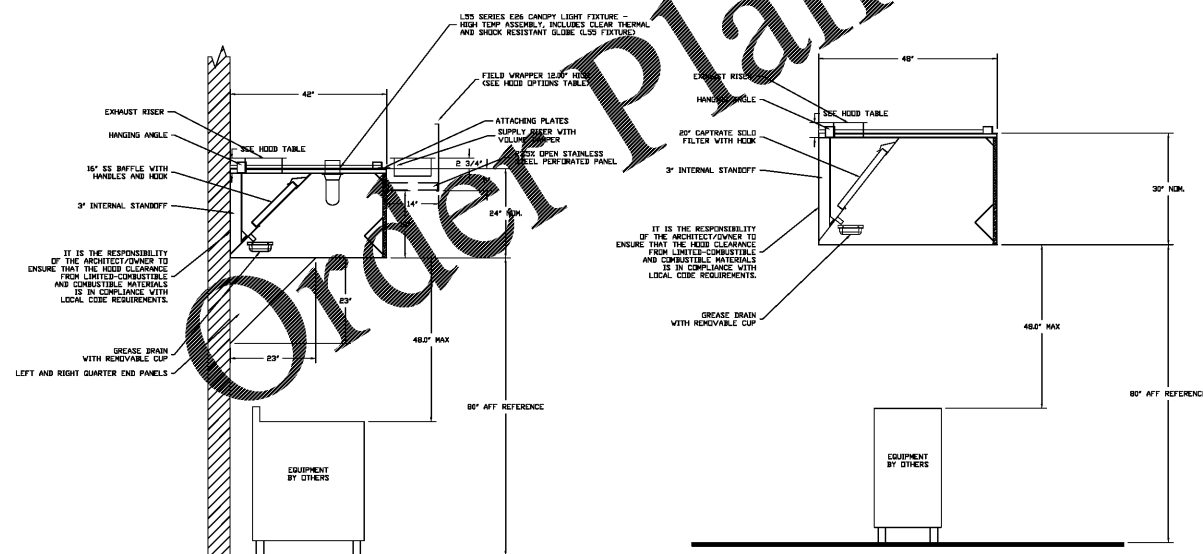
| FIRE SYSTEM NO. | Tag | TYPE | SIZE | FLOW POINTS | INSTALLATION | |
|-----------------|--------------------|------------|---------|-------------|-----------------|------------------|
| | | | | | SYSTEM | LOCATION ON HOOD |
| 1 | OVEN HOOD | Ansul R102 | 1.5 | 2 | Wall Mount Left | N/A |
| 2 | BROILER HOOD | Ansul R102 | 1.5 | 4 | Wall Mount Left | N/A |
| 3 | GRIDDLE/FRYER HOOD | Ansul R102 | 3.0/3.0 | 3 | Wall Mount Left | N/A |



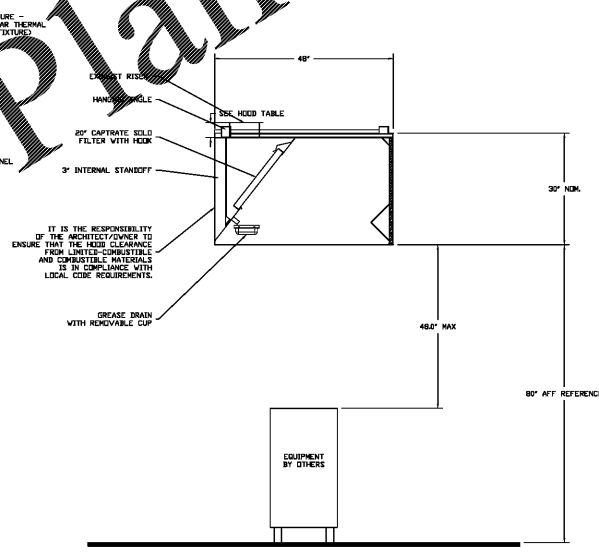
PLAN VIEW - Hood #3 (GRIDDLE/FRYER)
 10' 9.00" LONG 3044BD-2-PSP-F



SECTION VIEW - MODEL 3044BD-2-PSP-F
 HOOD - #3 (GRIDDLE/FRYER)



SECTION VIEW - MODEL 4224ND-2-PSP-F
 HOOD - #1 (BLODGETT OVEN)



SECTION VIEW - MODEL 4830ND-2
 HOOD - #2 (BROILER HOOD)

CAPTIVE-AIRE HOODS ARE ETL LISTED AND LABELED IN COMPLIANCE WITH

NSF
 LISTED IN ACCORDANCE WITH NFPA No. 96
 ETL

NFPA #96
 NSF
 UL 710 & ULC710 STANDARDS
 E.T.L. LISTED 3054804-001

FOR QUESTIONS, CALL THE
 PIEDMONT NORTH CAROLINA OFFICE
 LONNIE GRANT (REGIONAL MANAGER)
 PHONE: 336-996-8484, FAX: 336-996-0418
 EMAIL: reg30@captiveaire.com

***** NOTE *****
 ALL WALLS THAT COME WITHIN 18" OF HOOD MUST BE METAL STUDS AND SHEETROCK. WOOD STUDS NOT ALLOWED.

| REVISIONS | |
|-------------|------|
| DESCRIPTION | DATE |
| | |
| | |
| | |

| REVISIONS | |
|-----------|-------------|
| DATE | DESCRIPTION |
| | |
| | |
| | |

CAPTIVE-AIRE
 www.captiveaire.com
 495 BUCKHURST DR., KERNERSVILLE, NC, 27284 PHONE: (336) 996-8484 FAX: (919) 227-5992 EMAIL: reg30@captiveaire.com

HARDEE'S (STAR PROTO 2019)

DATE: 7/23/19
 DWG.#: (STAR-2019)
 DRAWN BY: LAG
 SCALE: NTS
 HOODS

SHEET NO. 1

Hardee's
 Prince George, VA
 BN2016 LD-R

PROJECT NUMBER: 19-101
 DATE: 8-6-2019
 SCALE: NTS
 DRAWN BY: AH APPROVED BY: RJ

SHEET TITLE:
HOOD MANUFACTURER SHOP DRAWING

SHEET NUMBER:
QF701

Reference Set - 1st Release