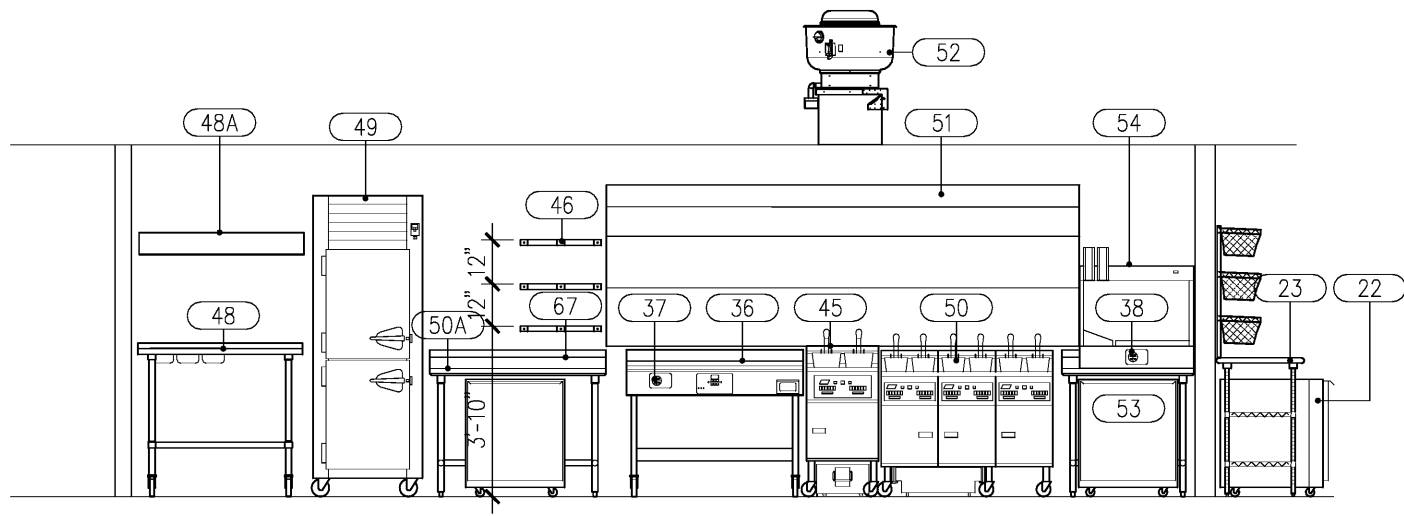


This document contains confidential information, is an instrument of a professional service, and the property of TriMark. It shall not be used on other projects or for the extension of this project without TriMark's written approval.

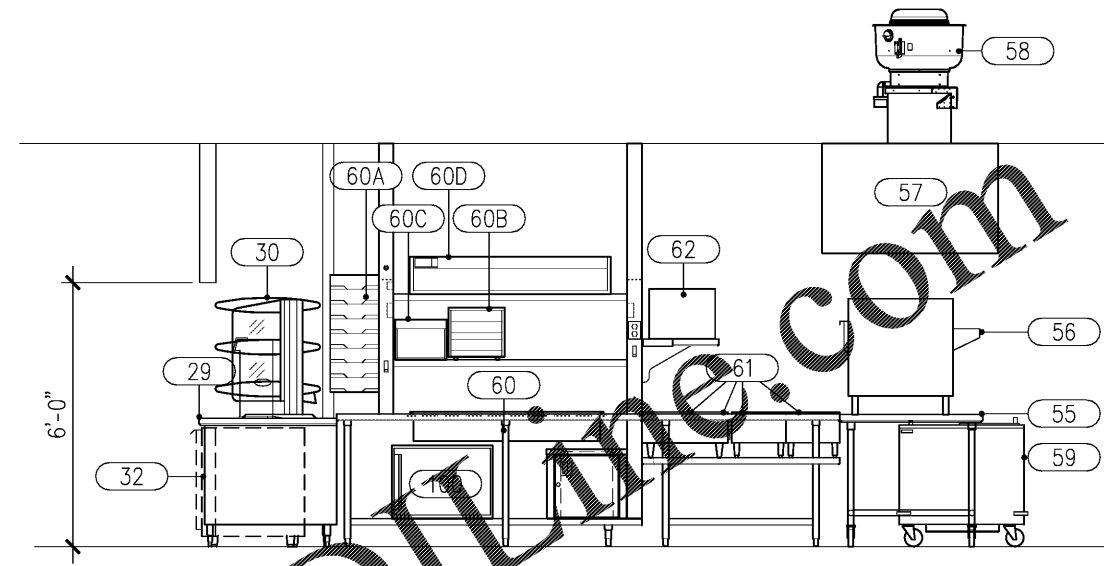
Owner and all Contractors to check and verify existing dimensions and conditions in the field before starting construction and to notify TriMark of any material or detail changes.

REVISIONS

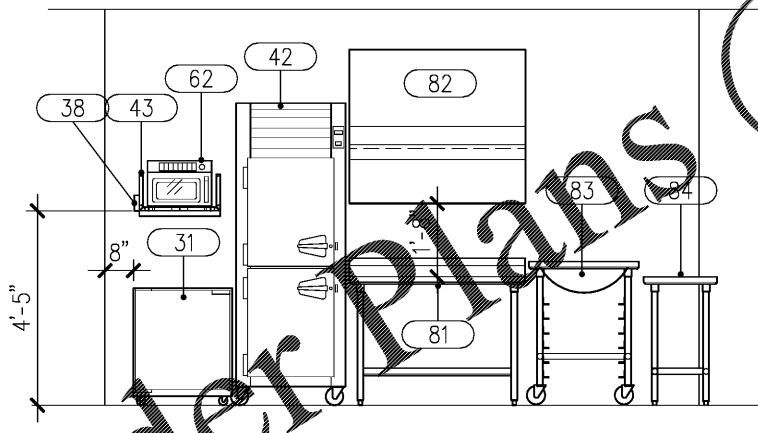
DATE	NO.	DESCRIPTION



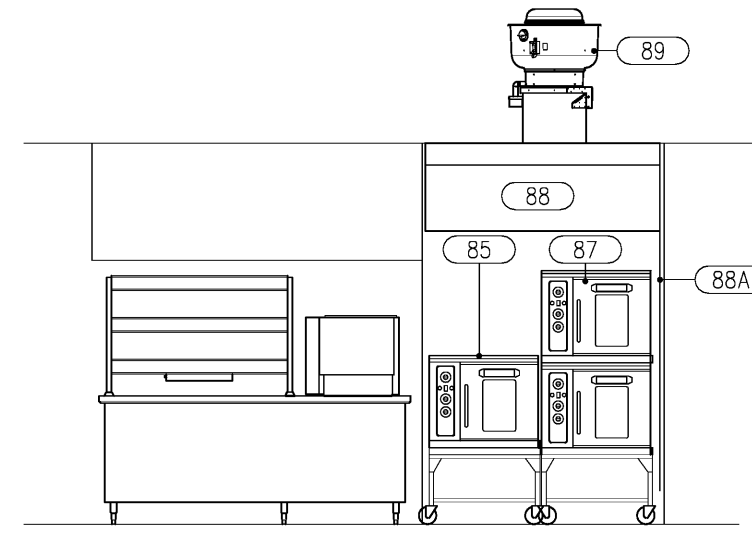
A COOKING LINE
601 NO SCALE



B PRODUCTION LINE
601 NO SCALE



C BISCUIT MAKING LINE
601 NO SCALE



D BISCUIT BAKING AREA - MAKE UP LINE
601 NO SCALE

Order Plans @ www.LDPlans.com

ALL DRAWINGS PROVIDED BY TRIMARK FOODCRAFT DEPICT THE LAYOUT OF THE FOODSERVICE EQUIPMENT AND THEIR SUBSEQUENT POWER, GAS AND WATER REQUIREMENTS TO OPERATE PROPERLY. FOODSERVICE DRAWINGS ARE DESIGNED TO SUPPLEMENT THE OFFICIAL ARCHITECT'S STAMPED AND SEALED DRAWINGS AND ARE NOT MEANT TO REPLACE THEM OR BE USED IN LIEU OF THEM FOR ANY CONSTRUCTION PURPOSES NOT RELATED TO FOODSERVICE EQUIPMENT. THE DRAWINGS ARE DESIGNED TO BE SUBMITTED FOR HEALTH DEPARTMENT APPROVAL AND PERMITTING AND ARE NOT INTENDED TO BE SUBMITTED FOR CONSTRUCTION PERMITTING.

Hardee's

Prince George, VA
BN2016 LD-R

Reference Set - 1st Release

PROJECT NUMBER: 19-101	
DATE:	8-6-2019
SCALE:	AS NOTED
DRAWN BY:	APPROVED BY:
AH	RJ

SHEET TITLE:
ELEVATIONS

SHEET NUMBER:
QF601