

NO.	REVISIONS	DESCRIPTION	DATE

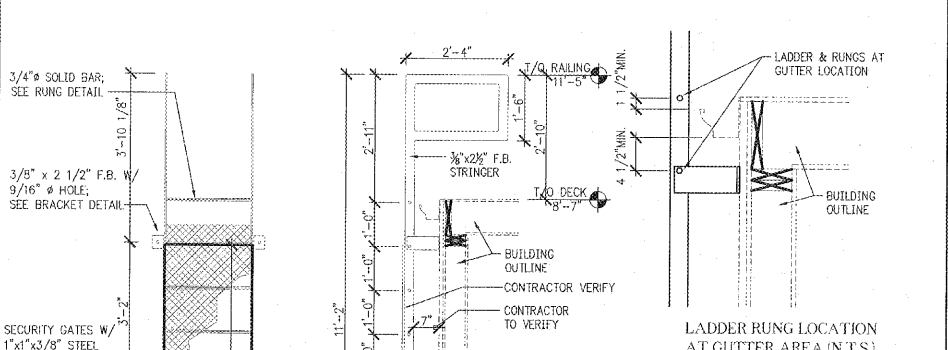
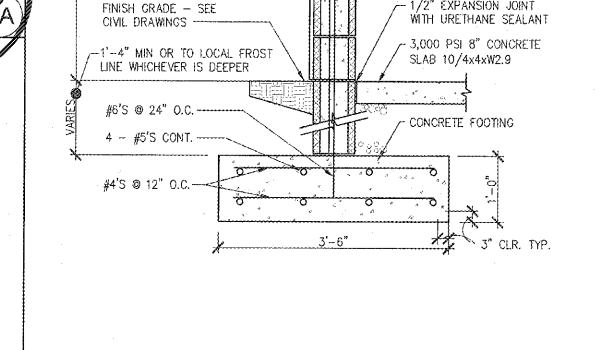
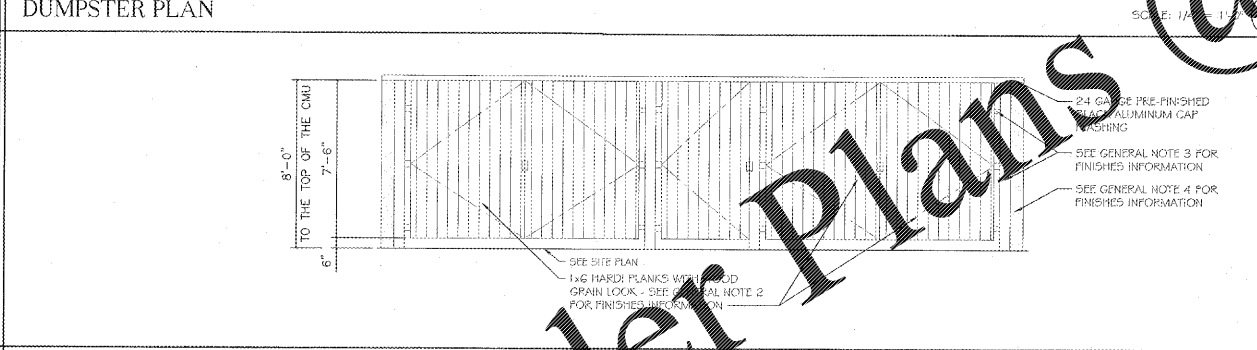
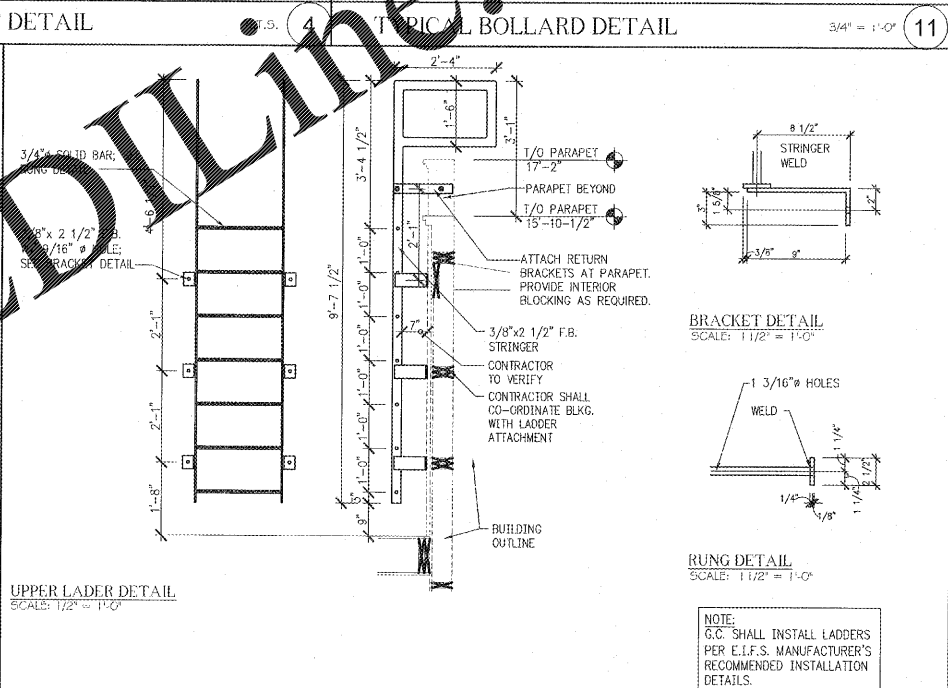
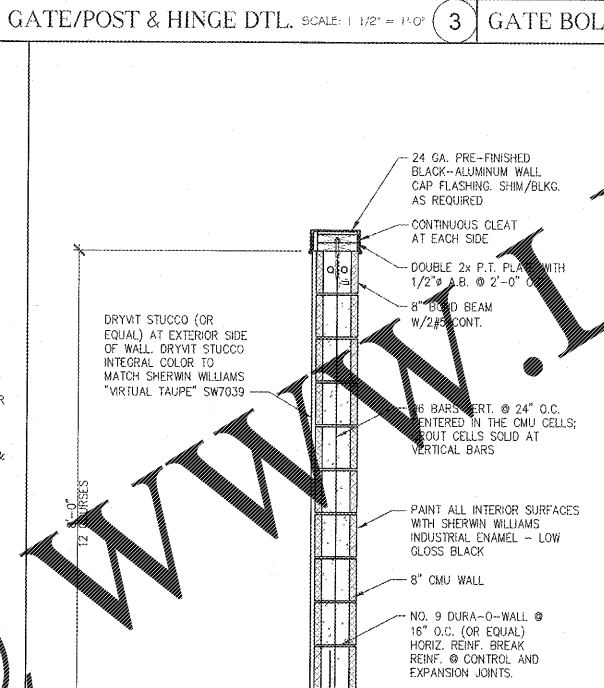
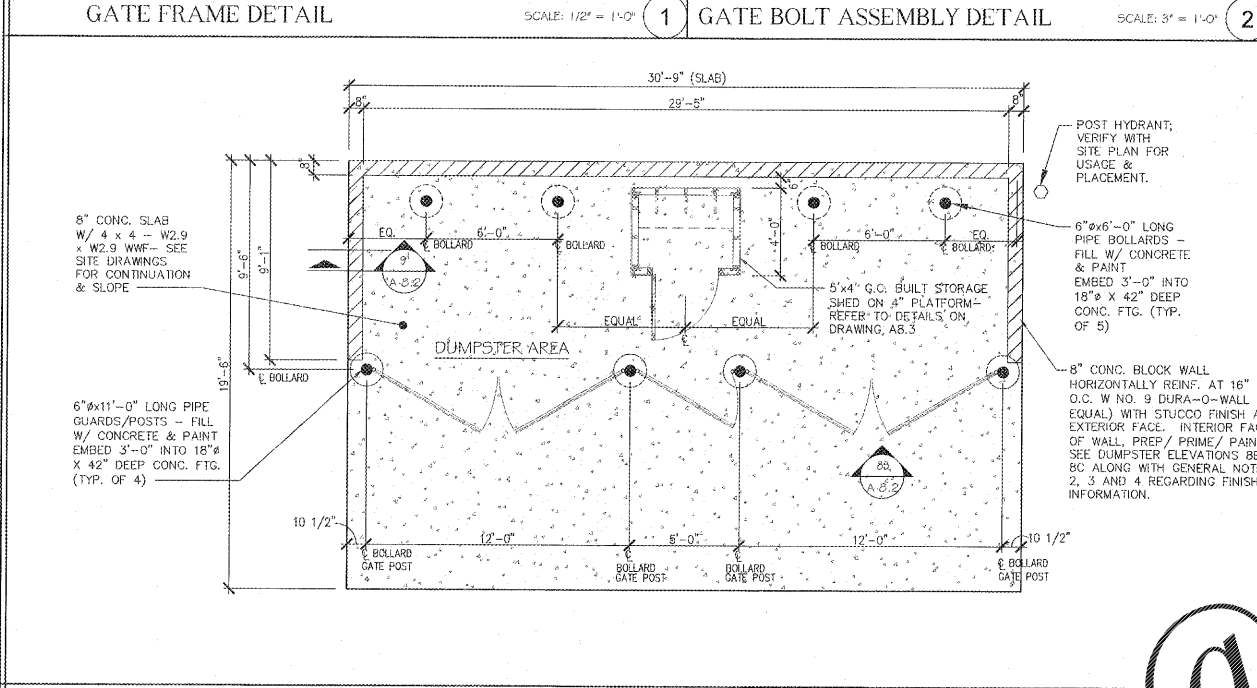
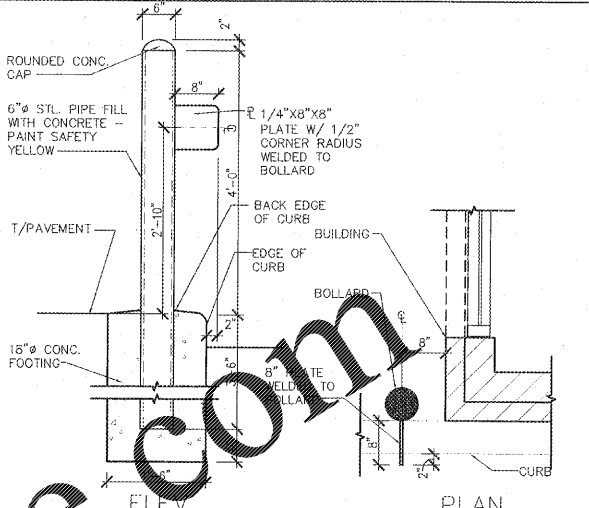
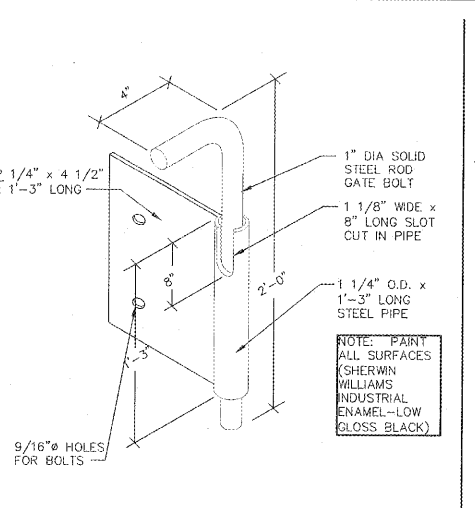
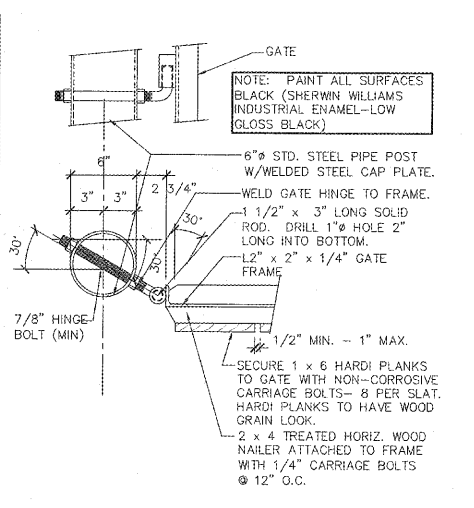
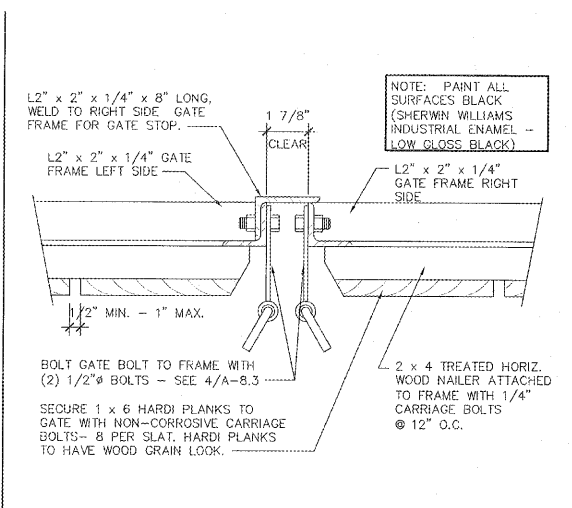
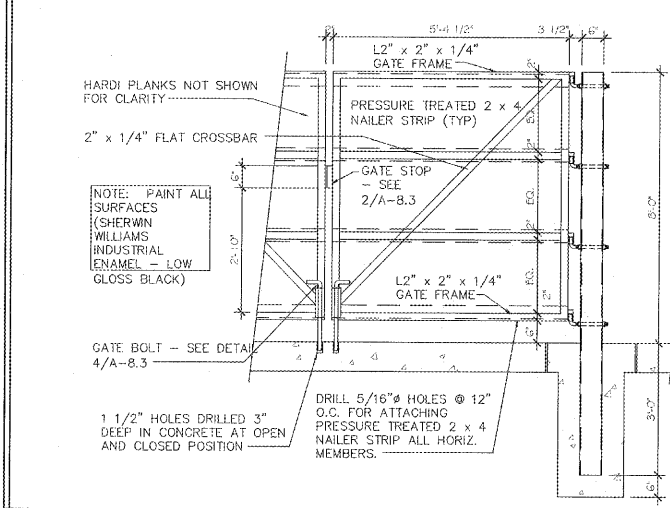
DRAWN BY: _____ CHECKED BY: _____

DUMPSTER ENCLOSURE & ROOF LADDER DTLS.

DATE: 9-4-2019

SHEET NUMBER:

A-8.2



GENERAL NOTES
SCALE: 1/4" = 1'-0" 7

- GENERAL CONTRACTOR SHALL VERIFY DUMPSTER REQUIREMENTS WITH LOCAL AUTHORITIES AND COORDINATE WITH INDICATED DIMENSIONS.
- HARDI PLANKS WITH WOOD GRAIN LOOK AT GATES TO BE PAINTED WITH SHERWIN WILLIAMS "VIRTUAL TAUPE" SW 7039 (PRE-PRIME/PART).
- DUMPSTER BOLLARDS, DOOR FRAME, HARDWARE AND BOLLARD ENCLOSURE TO BE PAINTED WITH SHERWIN WILLIAMS INDUSTRIAL ENAMEL - LOW GLOSS BLACK.
- DRYVIT STUCCO (OR OWNER APPROVED EQUAL) AT EXTERIOR SIDE OF WALL. DRYVIT STUCCO INTEGRAL COLOR TO MATCH SHERWIN WILLIAMS "VIRTUAL TAUPE" SW7039.
- PROVIDE 2'-0" GRADE #4 LUBRICATED SMOOTH DOWEL BARS @ 18" O.C. AT CONCRETE SLAB CONSTRUCTION JOINTS.

NOT USED
SCALE: 1/2" = 1'-0" 10

SECURITY LADDER DETAIL
SCALE: 1/2" = 1'-0" 10

Order Plans @

WWW.LDLINE.COM