

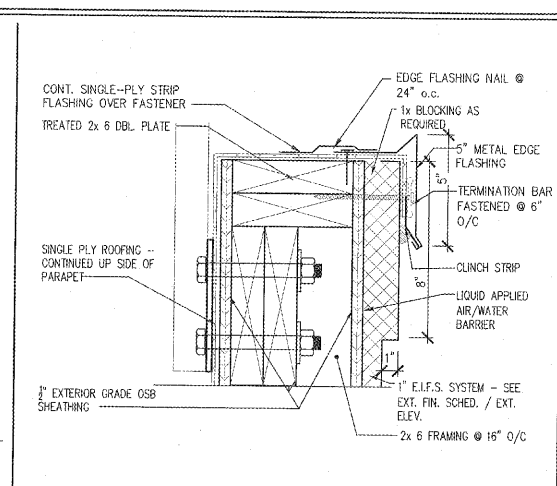
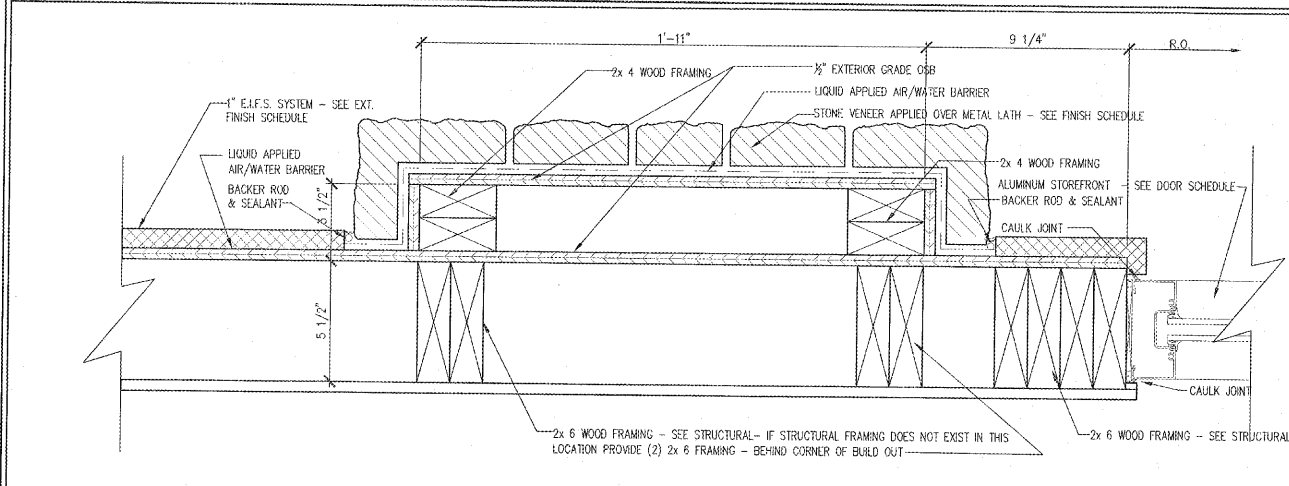
Handeen
 CONSTRUCTION MANAGEMENT
 BINE WOOD PROTOTYPE REVERSE
 LARGE DINING ROOM - BN2016 LD-R
 COUNTY DRIVE
 DISPUTANTA, VA 23842

BODDE-NOELL ENTERPRISES, INC.
 P.O. BOX 1808
 ROCKY MOUNT, NC 27802-1808
 (252) 937-2800

OWNER
BN

NO.	DATE	DESCRIPTION

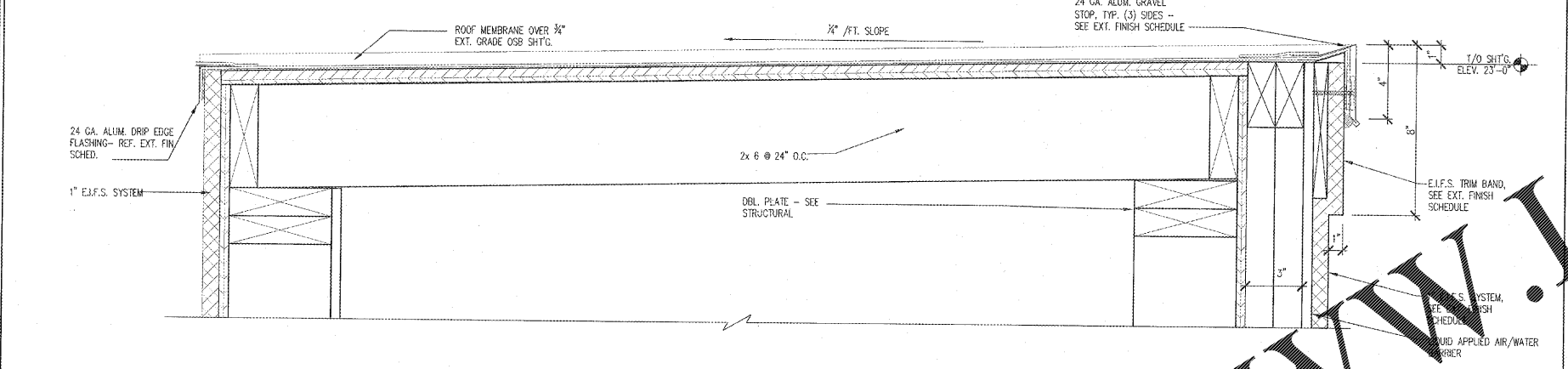
MISC. DETAILS
 DATE: 9-4-2019
 SHEET NUMBER: **A-8.0**



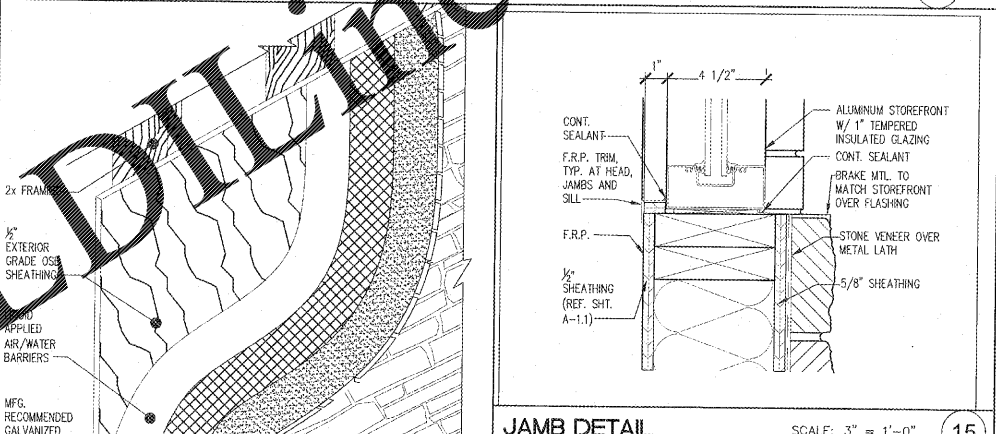
BUILD-OUT • TOWER DETAIL PLAN SCALE: 3" = 1'-0" 1

PARAPET COPING DETAIL SCALE: 3" = 1'-0" 2

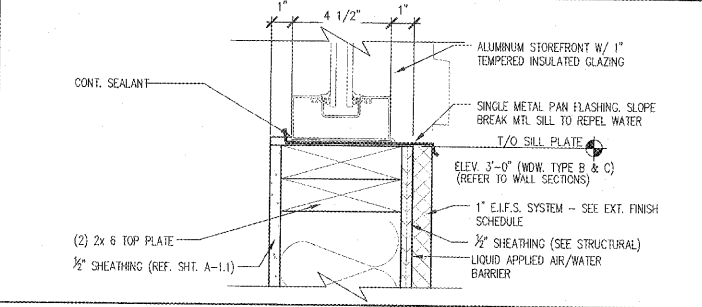
NOT USED NTS 3



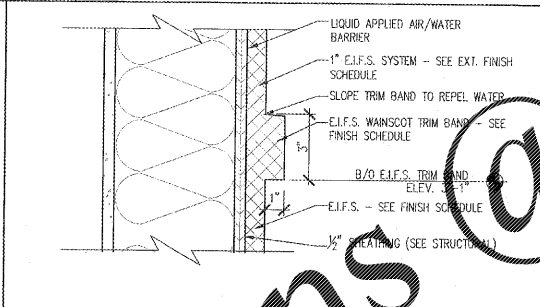
PARAPET COPING DETAIL • TOWER SCALE: 3" = 1'-0" 4



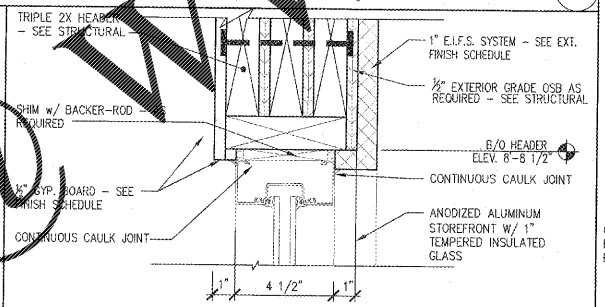
JAMB DETAIL SCALE: 3" = 1'-0" 15



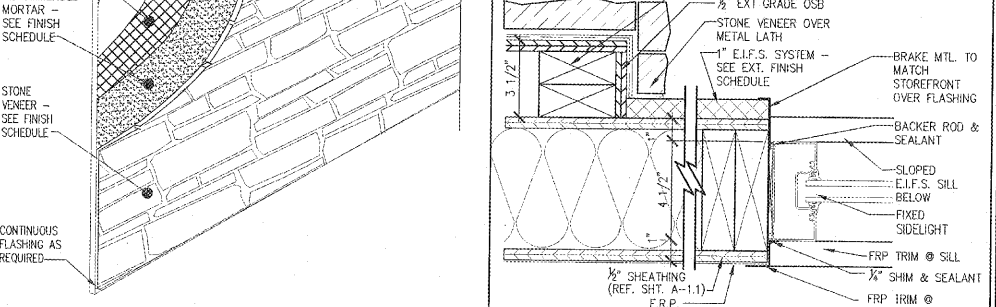
TYP. SILL DETAIL • STOREFRONT SCALE: 3" = 1'-0" 5



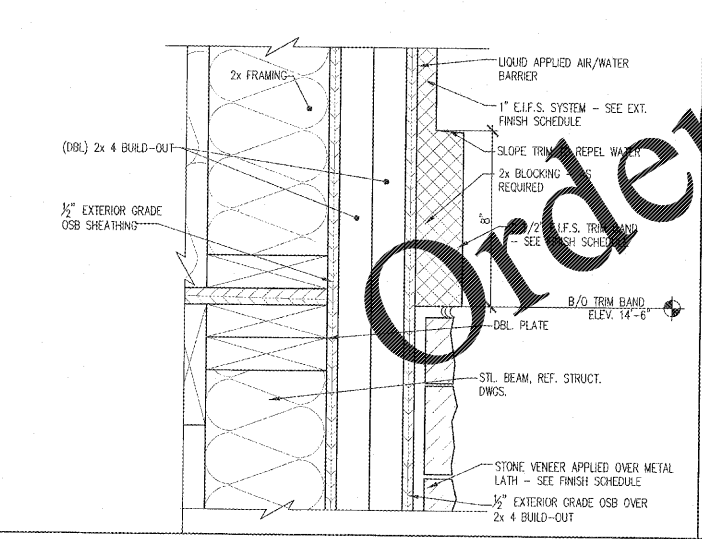
STUCCO WANSKOT BAND TRIM DTL. N.T.S. 6



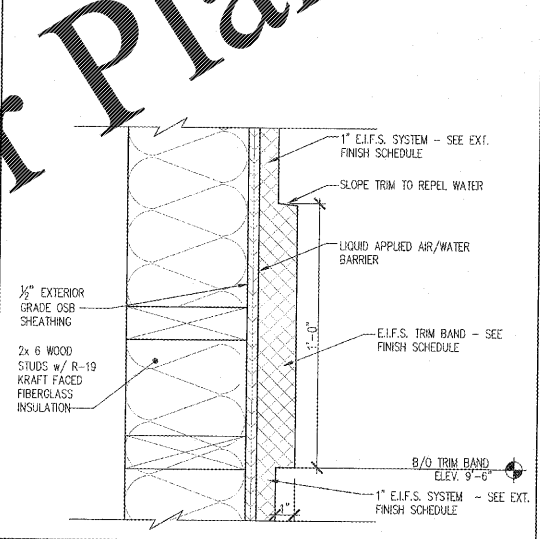
TYP. HEADER DETAIL • STOREFRONT SCALE: 3" = 1'-0" 7



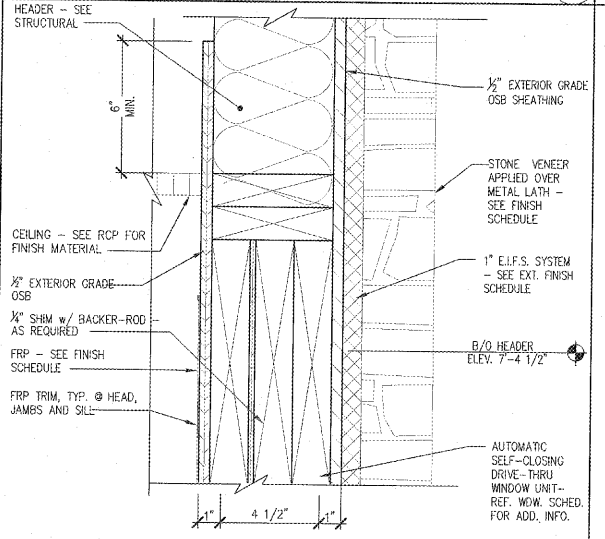
STONE VENEER INSTALLATION DTL. SCALE: 3" = 1'-0" 8



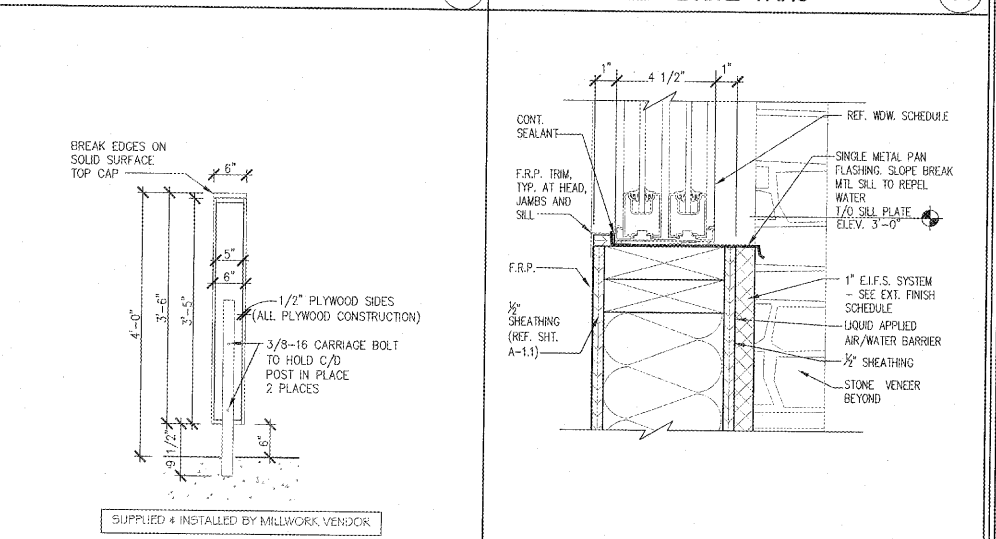
8' STUCCO TRIM BAND DETAIL SCALE: 3" = 1'-0" 9



12' STUCCO TRIM BAND DETAIL SCALE: 3" = 1'-0" 10



HEADER DETAIL • DRIVE-THRU SCALE: 3" = 1'-0" 11



LOW WALL DETAIL 3/4" = 1'-0" 12



SILL DETAIL • DRIVE-THRU SCALE: 3" = 1'-0" 13

Order Plans @

WWW.LDILINE.com