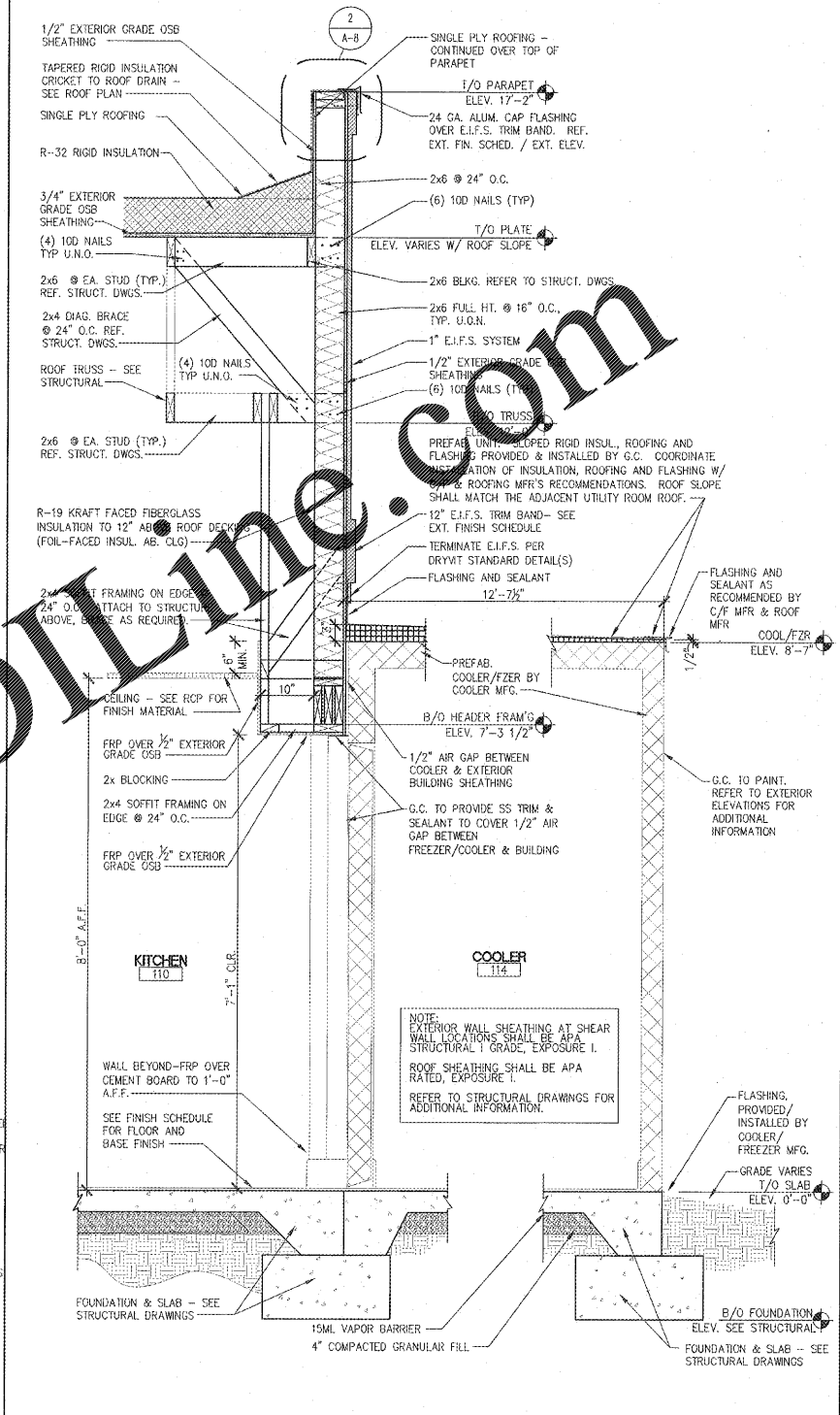
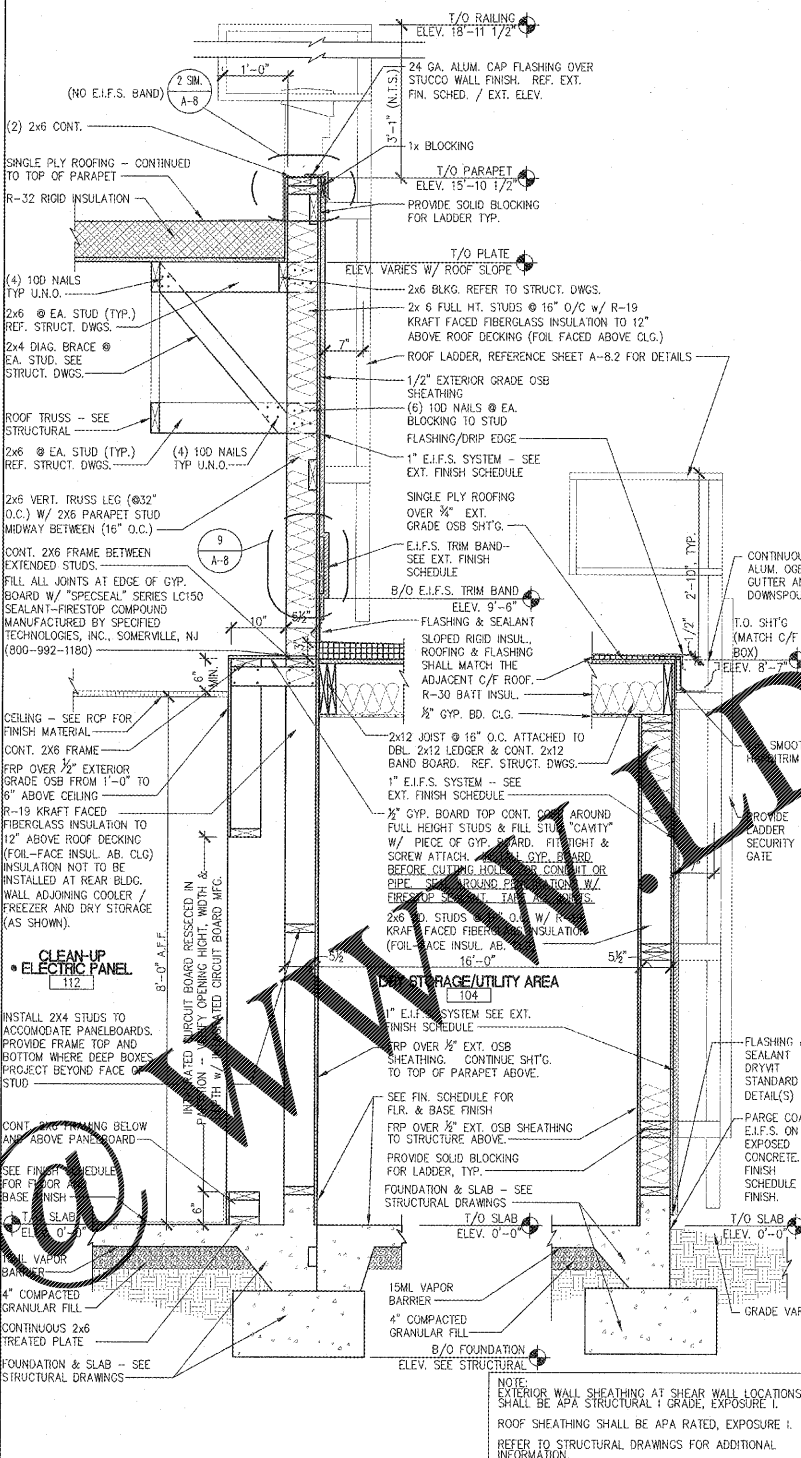


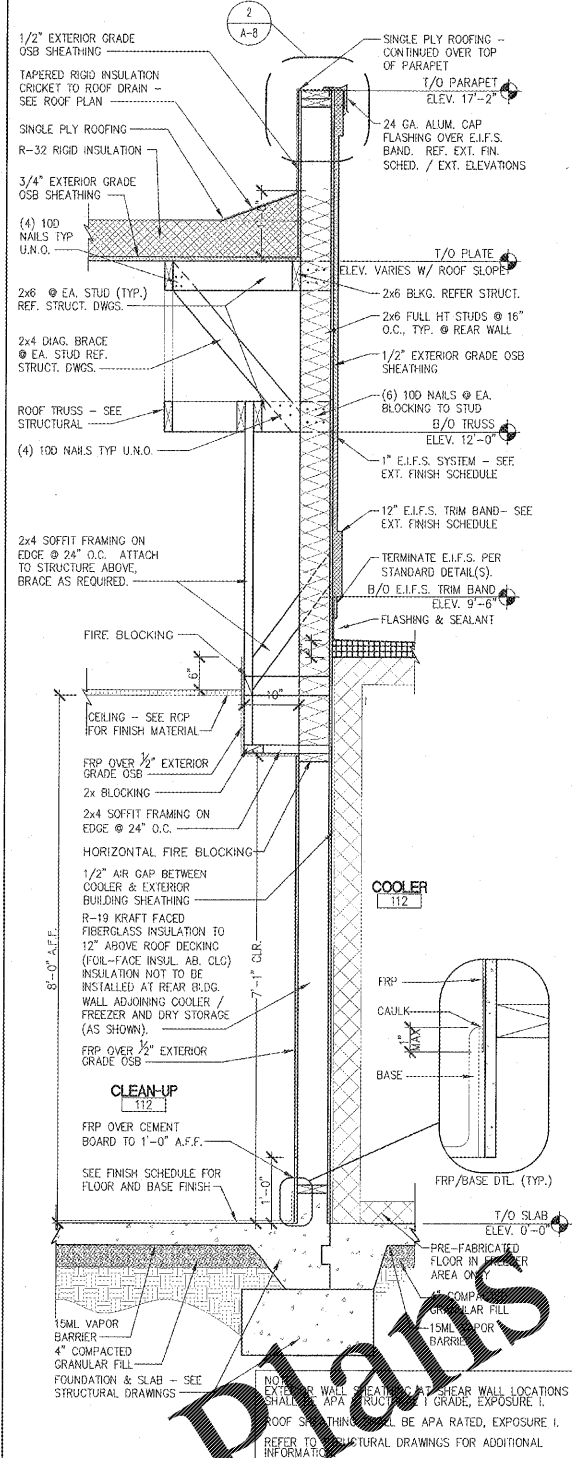
REVISIONS table with columns for NO., DATE, and DESCRIPTION.



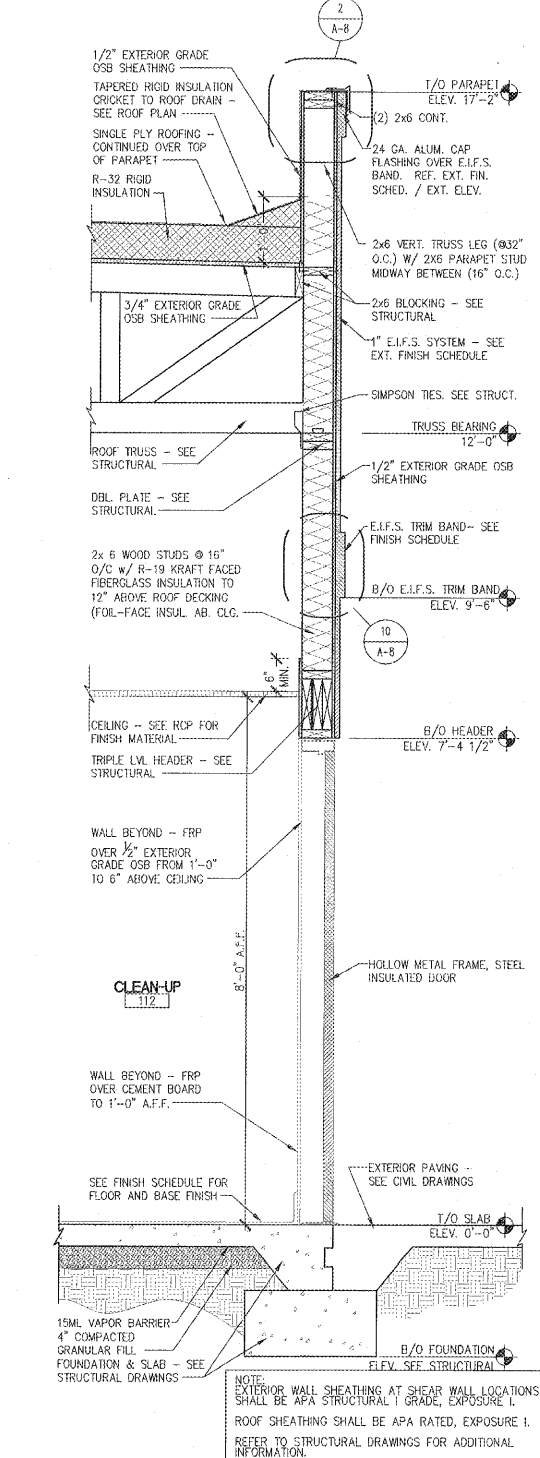
WALL SECTION • OPENING TO COOLER SCALE 3/4" = 1'-0" 4



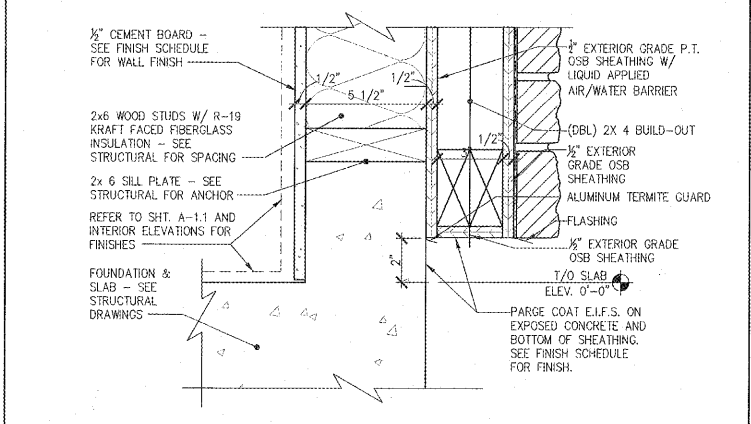
WALL SECTION • ELECTRIC PANEL, ACCESS LADDER + DRY STORAGE SCALE 3/4" = 1'-0" 3



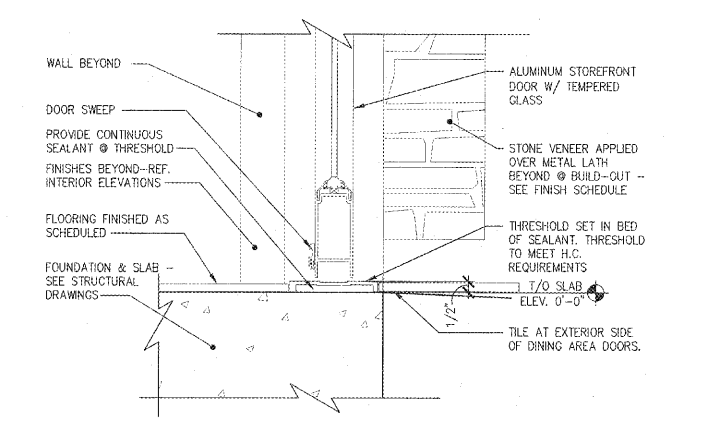
WALL SECTION • FREEZER SCALE 3/4" = 1'-0" 2



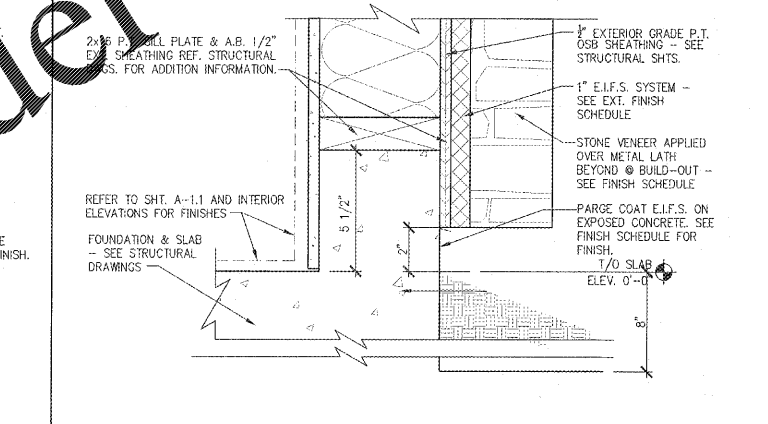
WALL SECTION • SERVICE DOOR SCALE 3/4" = 1'-0" 1



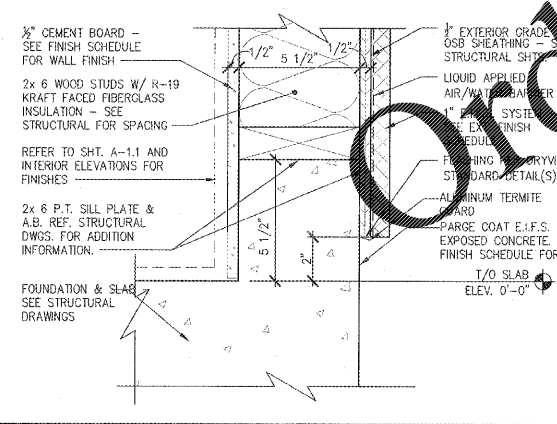
TYP. SILL PLATE DETAIL • BUILD-OUT SCALE 3" = 1'-0" 8



TYP. SILL PLATE DETAIL • ENTRY DOOR SCALE 3" = 1'-0" 7



TYP. SILL PLATE DETAIL • STORFRONT SCALE 3" = 1'-0" 6



TYP. SILL PLATE DETAIL SCALE 3" = 1'-0" 5