

| NO. | REVISIONS | DESCRIPTION | DATE |
|-----|-----------|-------------|------|
| | | | |
| | | | |
| | | | |

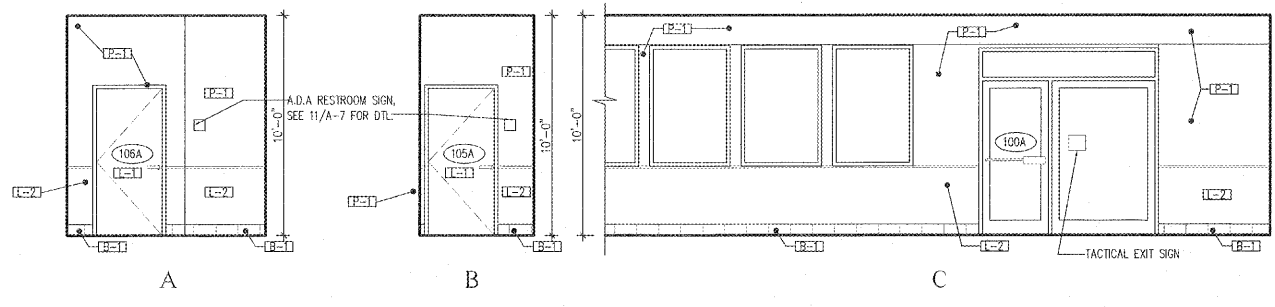
DRAWN BY: _____ CHECKED BY: _____

INTERIOR ELEVATIONS

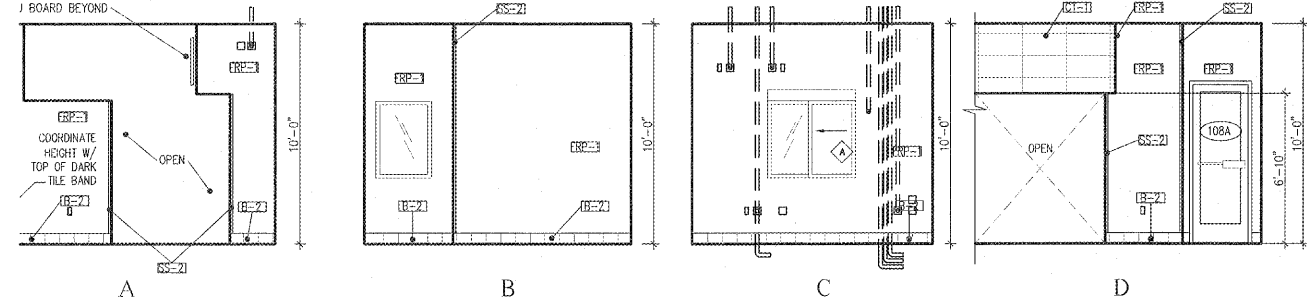
DATE: 9-4-2019

SHEET NUMBER:

A-5.2

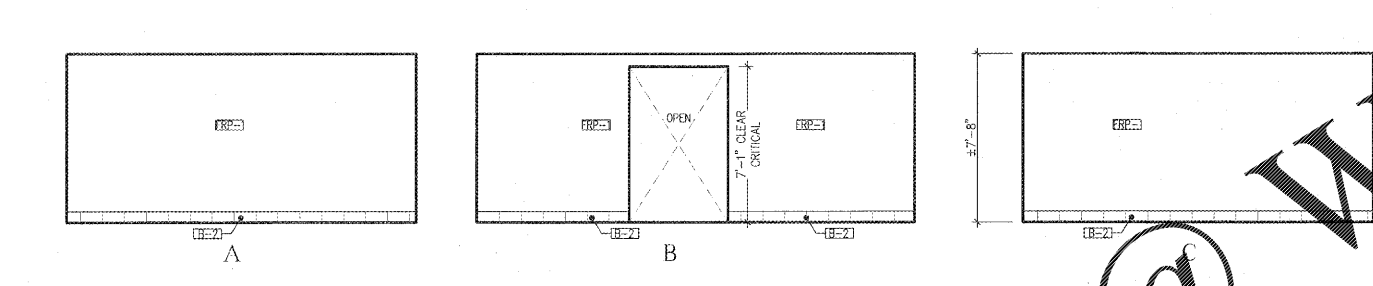


ELEVATION AT RESTROOM VESTIBULE SCALE: 1/4" = 1'-0" 1

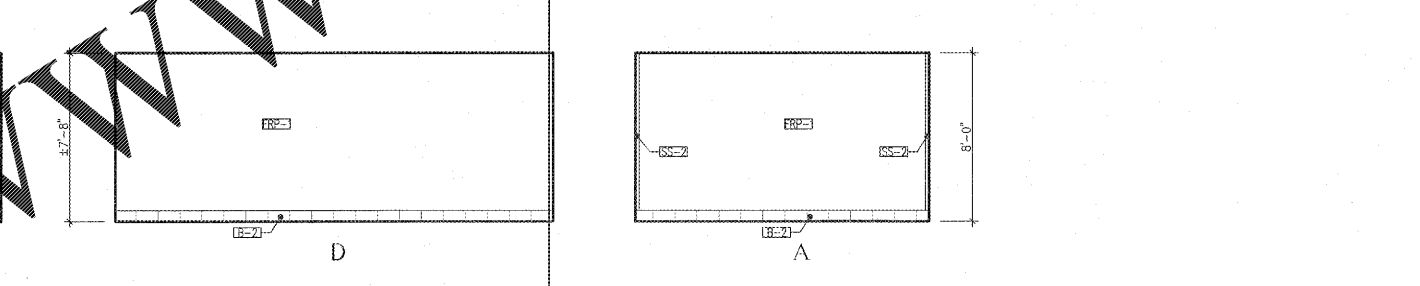


ELEVATION AT MANAGER'S OFFICE SCALE: 1/4" = 1'-0" 2

ELEVATION AT ICE CREAM/BREW AREA + DRIVE-THRU AREA SCALE: 1/4" = 1'-0" 3



ELEVATION AT BISCUIT PREP AREA + AT TRANSFER TABLE AREA SCALE: 1/4" = 1'-0" 4



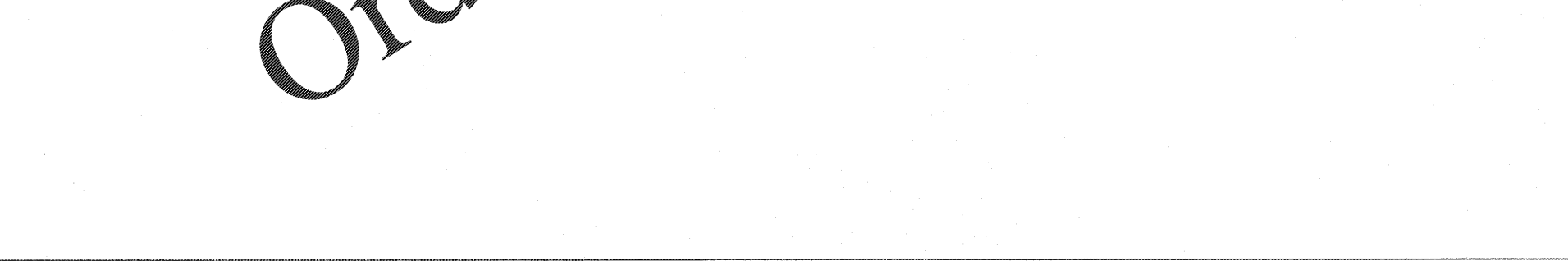
ELEVATION AT UTILITY / DRY STORAGE AREA SCALE: 1/4" = 1'-0" 5



ELEVATION AT HALLWAY WALL SCALE: 1/4" = 1'-0" 6



ELEVATION AT REAR WALL OF ORDER AREA SCALE: 1/4" = 1'-0" 7



GENERAL NOTES:

- REFER TO SHEET A1.1 FOR INTERIOR FINISHES & LOCATION MARKERS.
- REFER TO SHEET QF100 FOR EQUIPMENT INFORMATION.

NOTES

Order Plans @ WWW.LDLINE.COM