

FRONT ELEVATION

SCALE: 1/4" = 1'-0" 1

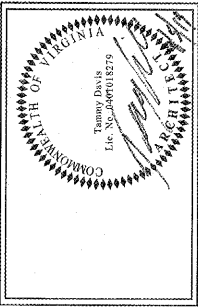
EXTERIOR FINISH SCHEDULE 2

- E.I.F.S. SPECIFICATION
- E.I.F.S. SYSTEM BASED ON DRYVIT SYSTEMS INC. - NOTE THAT ST10 IS ALSO A APPROVED E.I.F.S. VENDOR.
 - PROVIDE THE FOLLOWING SYSTEM: OUTSULATION PLUS MD SYSTEM.
 - PROVIDE OUTSULATION PLUS MD SYSTEM WITH DRYVIT'S RECOMMENDED COMPONENTS AND INSTALLED PER DRYVIT'S RECOMMENDED INSTALLATION TECHNIQUES AND RECOMMENDED DETAILS.
 - SYSTEM SHALL BE INSTALLED BY QUALIFIED INSTALLER(S).
 - FROM GRADE TO A HEIGHT OF 6'-0" -- INSTALL IN ADDITION TO STANDARD REINFORCING MESH, ALSO INSTALL DRYVIT PANZER REINFORCING MESH.
 - FINISH SHALL BE FREESTYLE AND SAND PEBBLE FINE
 - WARRANTY: PROVIDE MANUFACTURER'S 10 YEAR SYSTEM WARRANTY.
 - OTHER E.I.F.S. MANUFACTURERS: TOTAL WALL, INC.; STO CORP.; AND OTHERS ARE ACCEPTABLE UPON SUBMITTAL OF EQUAL E.I.F.S. SYSTEM AND REVIEWED/APPROVED BY THE OWNER.

SYMBOL	MATERIAL	DESCRIPTION	REMARKS
A	E.I.F.S.	BALANCED BEIGE (MATCH SHERWIN WILLIAMS COLOR SW7037) - FREESTYLE FINISH	TYPICAL NOTE: PREPARE ALL SURFACES TO BE PAINTED AS PER MANUFACTURERS RECOMMENDATIONS
B	E.I.F.S.	BLACK FOX - MATCH (SHERWIN WILLIAMS COLOR SW 7020) - FREESTYLE FINISH	
C	E.I.F.S.	DOVE TAIL - MATCH (SHERWIN WILLIAMS COLOR SW 7018) - FREESTYLE FINISH	
D	STOREFRONT DOORS AND WINDOWS	COLORADO WRAP AND TRIM: BLACK ANODIZED ALUMINUM WITH BLACK POWDER COAT TO MATCH SHERWIN WILLIAMS SW6256, TRICORN BLACK	
E	PARGE COAT E.I.F.S.	BLACK FOX - MATCH (SHERWIN WILLIAMS COLOR SW7020).	
F	STONE VENEER	CORONADO EASTERN MOUNTAIN LEDGE; COLOR - CARMEL MOUNTAIN	
G	E.I.F.S. TRIM BAND	BLACK FOX - MATCH (SHERWIN WILLIAMS COLOR SW7020) - SAND PEBBLE FINE	
H	PARAPET CAP FLASHING ON E.I.F.S. TRIM BAND	24 GAUGE PREFINISHED BLACK ALUMINUM CAP FLASHING ON E.I.F.S. TRIM BAND - PAINT E.I.F.S. SAND PEBBLE FINE	
J	AWNING	AWNING AND FRAME TO MATCH PAINT RED 999	
K	KITCHEN ACCESS DOOR	INSULATED METAL DOOR WITH HOLLOW METAL FRAME PAINTED SHERWIN WILLIAMS SW6256 TRICORN BLACK SATIN ENAMEL	
L	ROOF EDGE FLASHING	24 GAUGE PREFINISHED BLACK ALUMINUM FOR EDGE FLASHING	
M	STOREFRONT MOUNTAIN CASING	BLACK ANODIZED BRASS METAL BY STOREFRONT TO MATCH SHERWIN WILLIAMS SW6256, TRICORN BLACK	
N	METAL WALL MOUNT ROOF LADDERS W/ SECURITY GATE	PAINT SHERWIN WILLIAMS SW6256 TRICORN BLACK SATIN ENAMEL	
P	FREEZER COOLER	PAINTED TO MATCH E.I.F.S. PAINT COLORS; REFERENCE NOTES AT EXTERIOR ELEVATIONS OF FREEZER / COOLER.	
Q	SEAMLESS GUTTER & DOWN SPOUT	6" SEAMLESS GUTTER & DOWNSPOUT SYSTEM. PAINT SW6256 TRICORN BLACK SATIN ENAMEL	
R	E.I.F.S. WAINSCOT BAND	BLACK FOX - MATCH (SHERWIN WILLIAMS COLOR SW7020) - SAND PEBBLE FINE	
S	E.I.F.S. TOWER BAND	BLACK FOX - MATCH (SHERWIN WILLIAMS COLOR SW7020) - SAND PEBBLE FINE	
T	E.I.F.S. STAR	BALANCED BEIGE (MATCH SHERWIN WILLIAMS COLOR SW7037) - SAND PEBBLE FINE	
U	E.I.F.S. STAR	BLACK FOX - MATCH (SHERWIN WILLIAMS COLOR SW7020) - SAND PEBBLE FINE	

NRD Project # 18228

NRD national restaurant designers
 ARCHITECTS & ENGINEERS
 3005 CARRINGTON HILL BLVD., SUITE 105
 MORRISVILLE, NORTH CAROLINA 27560
 PH 919 544 7281 FAX 919 544 9399
 A Division of L.N.H.T. Associates



Hardee's
 ONE WOOD PROTOTYPE BEVERSE
 LARGE DINING ROOM, BK2016 LDR
 COUNTY DRIVE
 DEBUNTVA, VA 23842

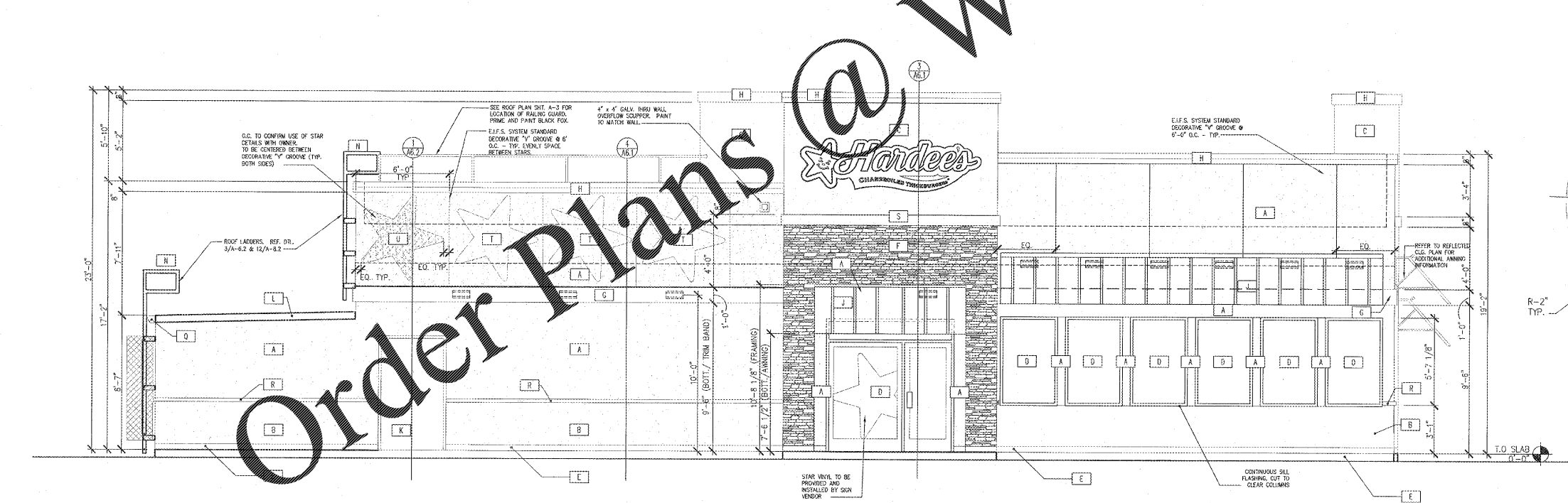
BOODE-NOELL ENTERPRISES, INC.
 P.O. BOX 1808
 ROCKY MOUNT, NC 27802-1808
 (252) 957-2800

OWNER

NO.	REVISIONS	DATE
	DESCRIPTION	

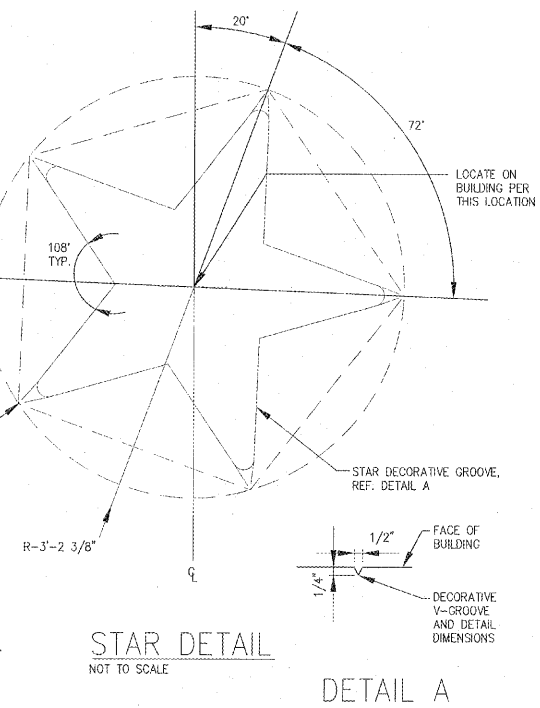
DRAWN BY: _____ CHECKED BY: _____

EXTERIOR ELEVATIONS
 DATE: 9-4-2019
 SHEET NUMBER:
A-4.0



RIGHT SIDE (MAIN ENTRANCE) ELEVATION

SCALE: 1/4" = 1'-0" 3



Order Plans @ www.LDOnline.com