

**OWNER**  
**BODDE-NOELL ENTERPRISES, INC.**  
 P.O. BOX 1808  
 ROCKY MOUNT, NC 27802-1808  
 (252) 867-2800

NO.	DATE	DESCRIPTION

DRAWN BY: \_\_\_\_\_ CHECKED BY: \_\_\_\_\_

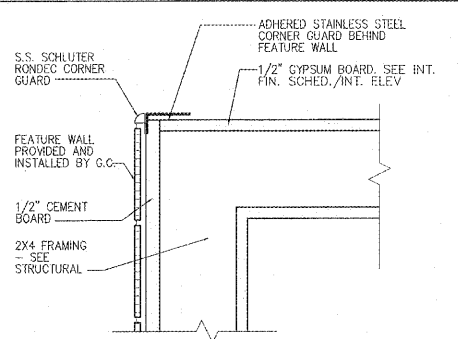
**CONSTRUCTION PLAN**

DATE: 9-4-2019

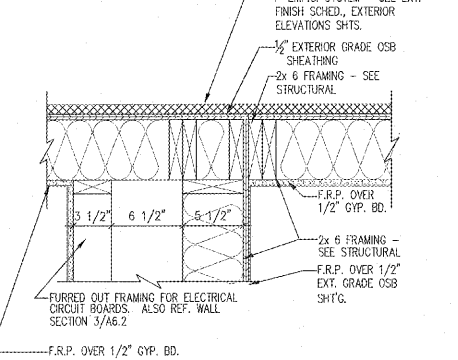
SHEET NUMBER: **A-1.0**

- LEGEND**
- 2x WOOD STUDS @ 16" O.C. UNLESS NOTED OTHERWISE. REF. PLAN FOR SIZES.
  - 2x WOOD STUDS @ 16" O.C. TO STRUCTURE ABOVE UNLESS NOTED OTHERWISE. REF. PLAN FOR SIZES.
  - 3/4" x 20 GA. METAL STUDS @ 16" O.C. TO STRUCTURE ABOVE UNLESS NOTED OTHERWISE. REF. PLAN FOR SIZES.
  - LOW WALL: 2x WOOD STUDS @ 16" O.C. REFER TO PLAN FOR HEIGHT OF LOW WALL.
  - BULKHEAD ABOVE. REF. REFLECTED CEILING PLAN FOR HEIGHTS.

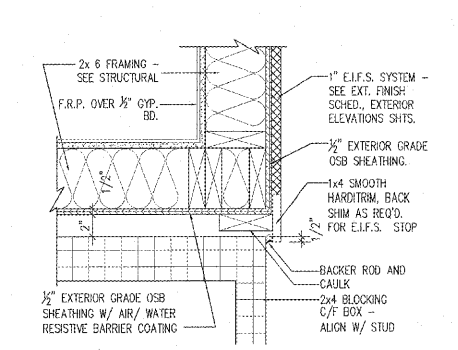
- GENERAL NOTES**
- DIMENSIONS SHOWN ARE FINISH DIMENSIONS UNLESS NOTED OTHERWISE. REFER TO FINISH SCHEDULE #1 FOR REQUIRED INTERIOR WALL SUBSTRATE.
  - REFER TO FINISH SCHEDULE #1.1 FOR LOCATIONS OF FLOOR DRAINS AND SINKS.
  - REFER TO FINISH SCHEDULE #1.1 FOR INTERIOR ELEVATION MARKERS.
  - REFER TO SCHEDULE A-1.1 FOR DOOR AND WINDOW SCHEDULES.
  - EXTERIOR GRADE OSB SHEATHING AT BUILDING EXTERIOR, UNLESS NOTED OTHERWISE. OSB SHEATHING SHALL BE STRUCTURALLY RATED AT SHEAR WALLS AS NOTED IN THE STRUCTURAL DRAWINGS.
  - UNDERCUT ALL INTERIOR DOORS 3/4" TO ALLOW FOR AIR CIRCULATION.
- NOTE:**  
 \* = WALL TYPE TO EXTEND MINIMUM 18" BEYOND HOOD - BOTH SIDES. G.C. TO VERIFY EXACT SIZE OF HOOD. PROVIDE ANCHOR PLATES IN WALL PER 4/A1 - SEE INTERIOR ELEVATION FOR LOCATION OF SS WALL PANEL.
- NOTE:**  
 SEE STRUCTURAL DRAWINGS FOR SHEAR WALL LOCATIONS AND SHEAR WALL REQUIREMENTS.



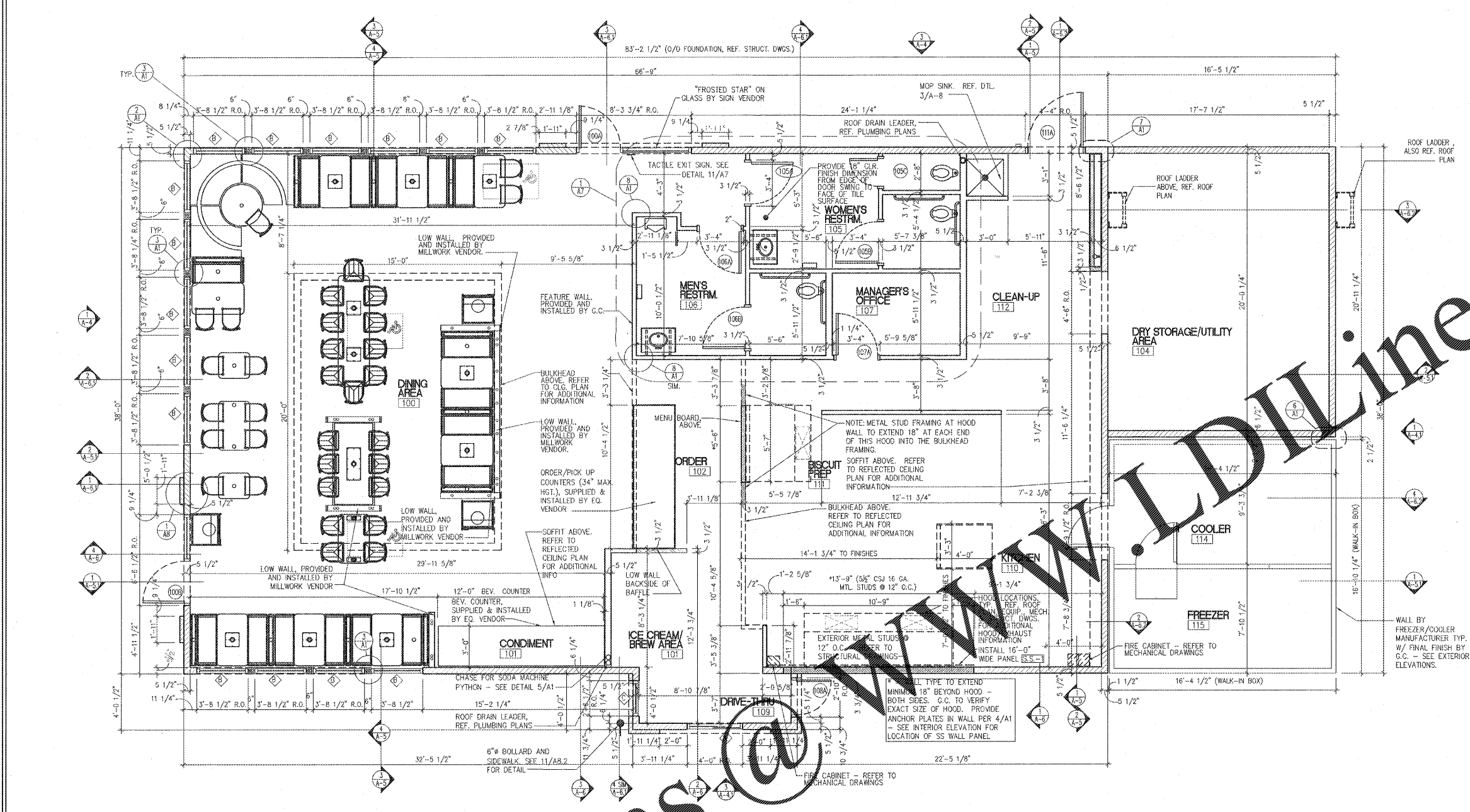
**CORNER DETAIL** 3" = 1'-0" 8



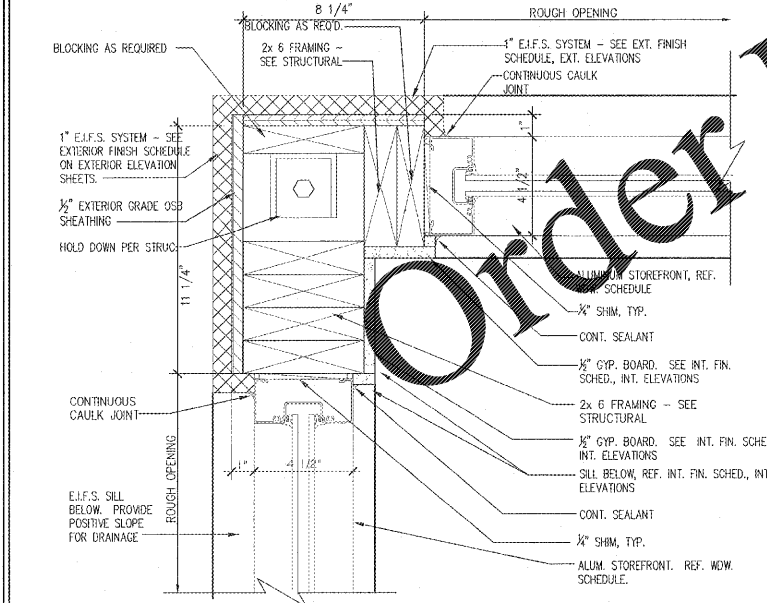
**WALL DETAIL - REAR BUILDING WALL AND DRY STORAGE ROOM** 1 1/2" = 1'-0" 7



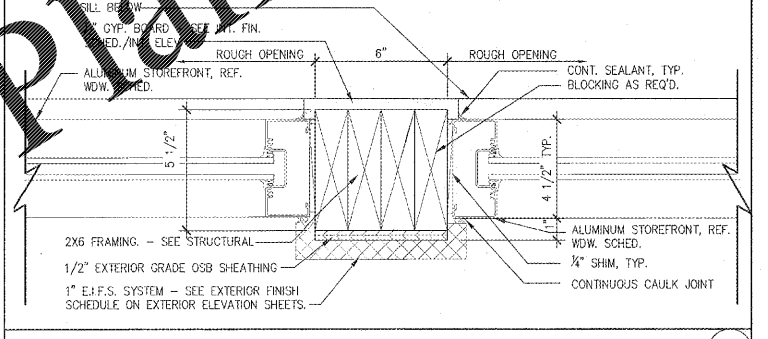
**PLAN DETAIL - UTILITY/WALK-IN BOX** 1 1/2" = 1'-0" 6



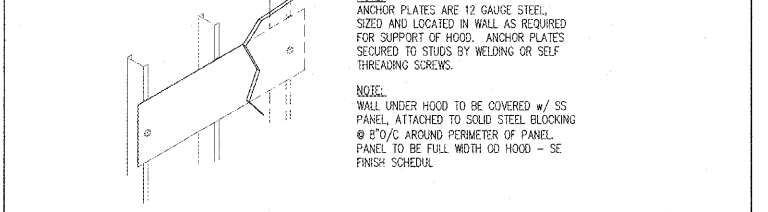
**CONSTRUCTION PLAN** SCALE: 1/4" = 1'-0" 1



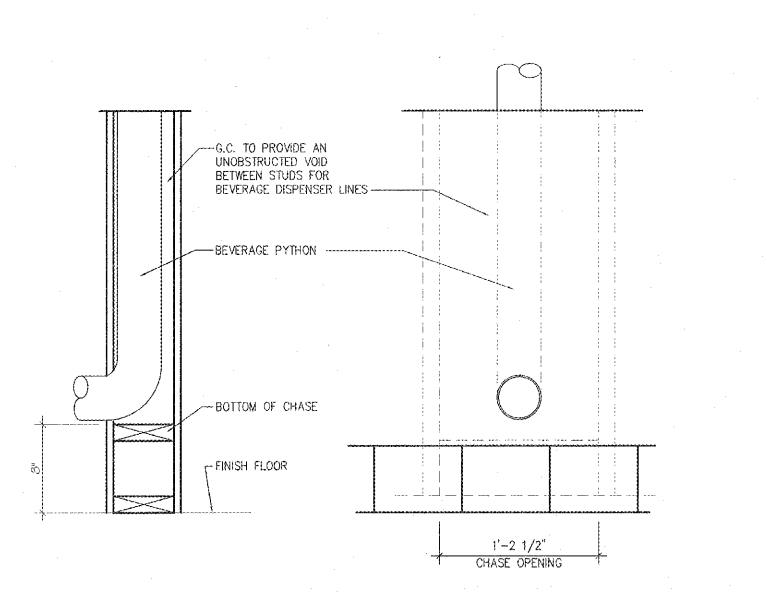
**CORNER PLAN DETAIL** SCALE: 3" = 1'-0" 2



**ANCHOR PLATE DETAIL - HOODS** SCALE: 3" = 1'-0" 3



**WALL CHASE DETAIL FOR SODA STATION PYTHON** N.T.S. 4



**WALL CHASE DETAIL FOR SODA STATION PYTHON** N.T.S. 5

Order Plans @ WWW.LDOnline.com