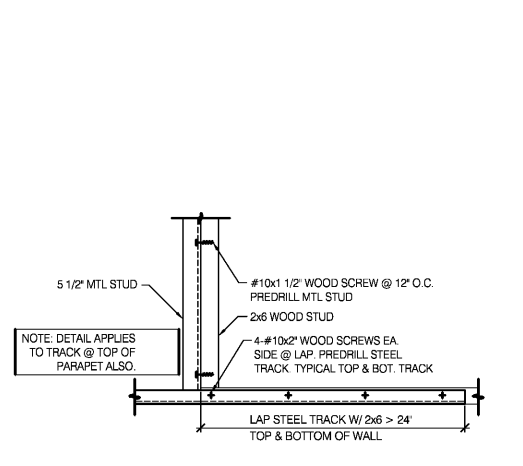
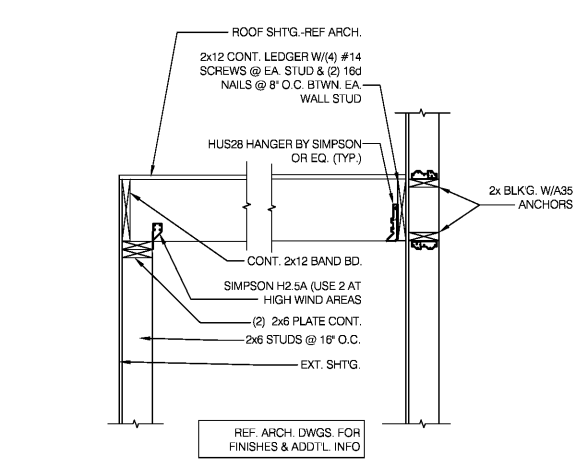


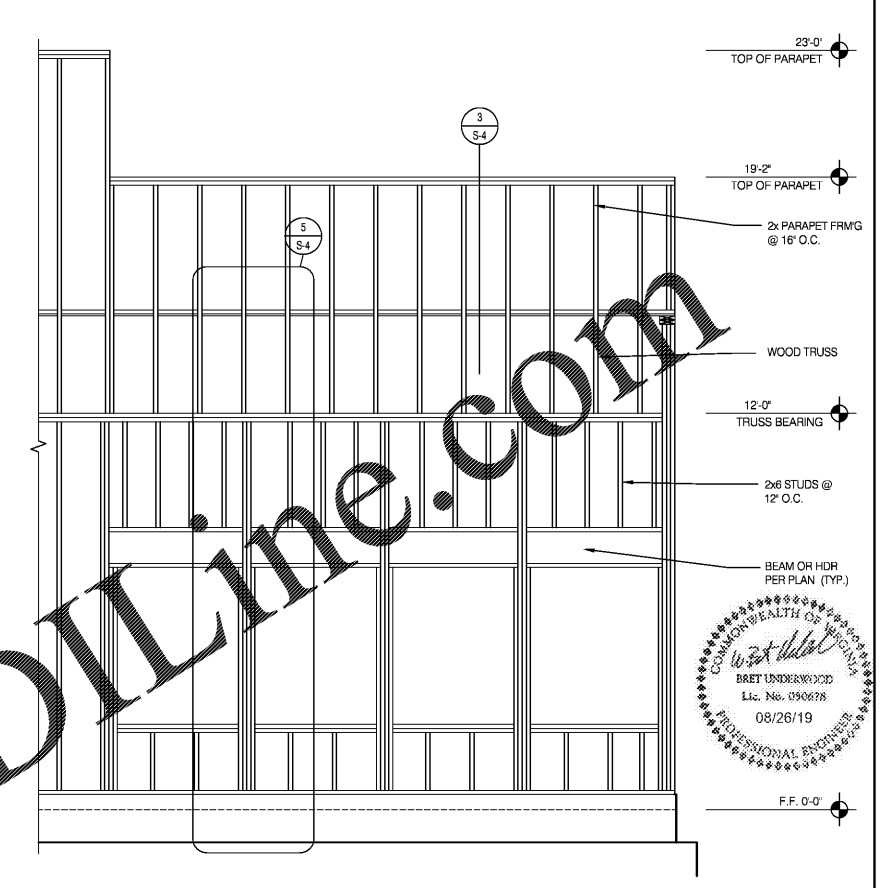
METAL WALL STUD DETAIL SCALE: 1/2"=1'-0" (1)



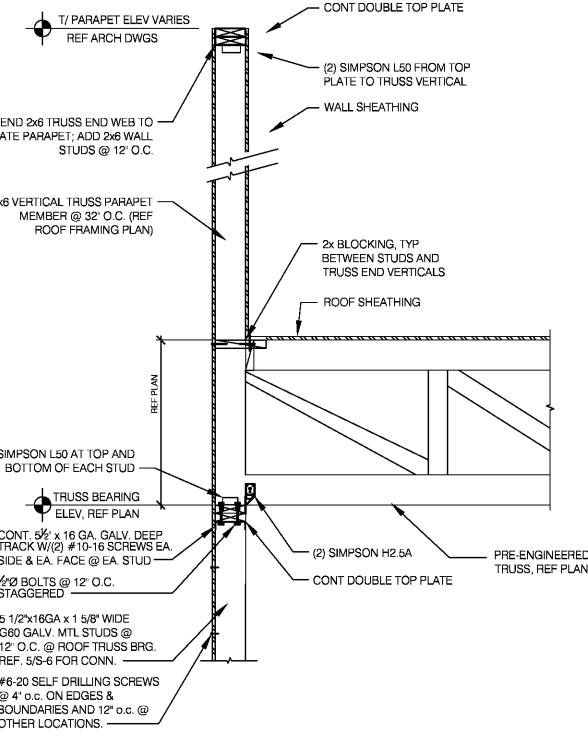
METAL WALL STUD DETAIL SCALE: 1/2"=1'-0" (2)



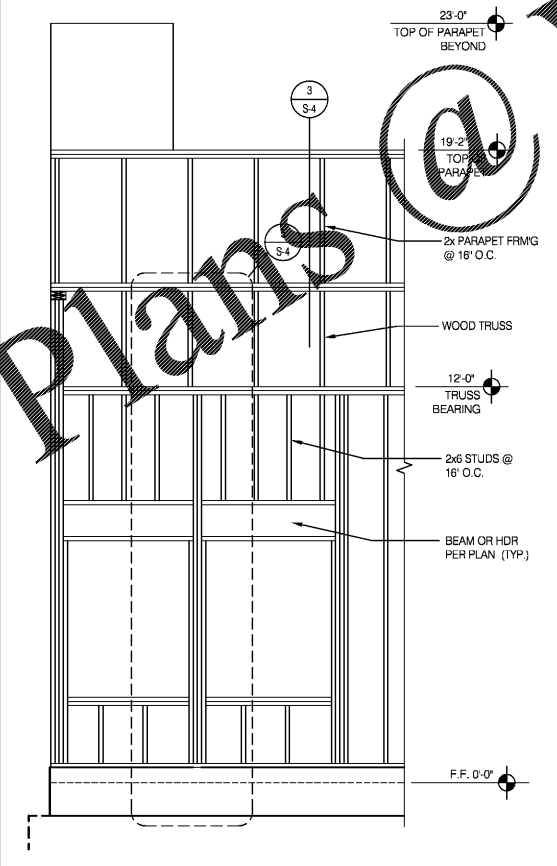
STORAGE RM. SECTION SCALE: 3/4"=1'-0" (3)



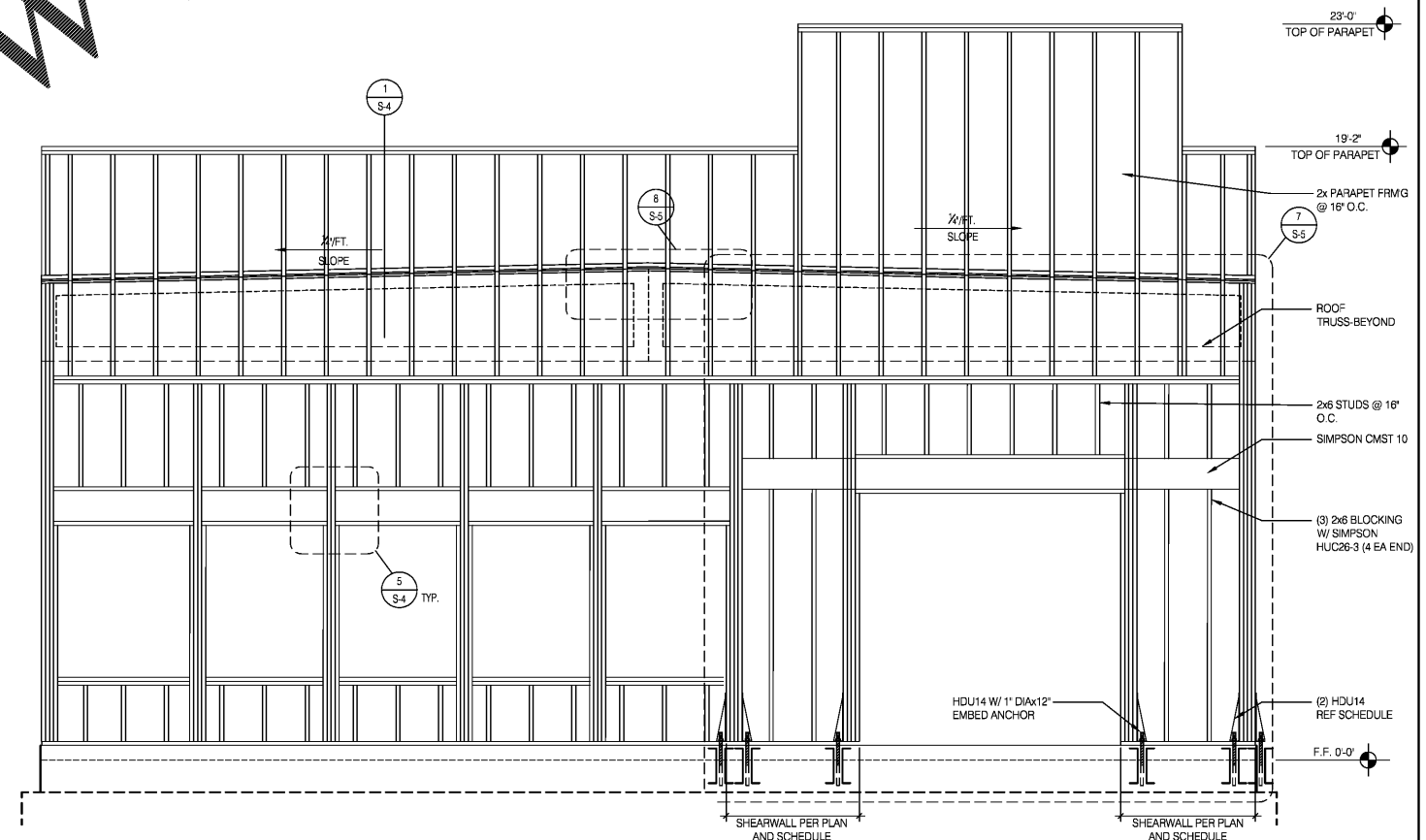
SIDE FRAMING ELEVATION SCALE: 3/8"=1'-0" (4)



METAL WALL STUD DETAIL SCALE: 3/4"=1'-0" (5)



SIDE FRAMING ELEVATION SCALE: 3/8"=1'-0" (6)



FRONT FRAMING ELEVATION SCALE: 3/8"=1'-0" (7)

Order Plans

WWW.LDILLINE.COM

NRD Project # 18228

**NRD** national restaurant designers  
**ARCHITECTS & ENGINEERS**  
 3005 CARRINGTON WILL BLVD. SUITE 105  
 MORRISVILLE, NORTH CAROLINA 27560  
 ph: 919 544 7251 fax: 919 544 9389  
 A Division of LHMFT Associates

**BRITT PETERS ASSOCIATES**  
 consulting engineers  
 999 Waterside Drive (157) 955-5110  
 Suite 2202 SPA # 190997  
 Norfolk, VA 23510

**Hardee's**  
 HARDEE'S REVERSE PROTOTYPE  
 COUNTY DRIVE  
 DEPTTANTA, VA 22842

**BODDE-NOELL ENTERPRISES, INC.**  
 P.O. BOX 1908  
 ROCKY MOUNT, N.C. 27802-1908  
 (252) 967-2800

**OWNER: BN**

NO.	DATE	DESCRIPTION

DRAWN BY: ES CHECKED BY: SH

STRUCTURAL DETAILS & FRAMING ELEV.

DATE: 8-21-2019

SHEET NUMBER: **S6**

180897 - 06.dwg Aug 20, 2019 1:48pm