

NO.	DATE	DESCRIPTION

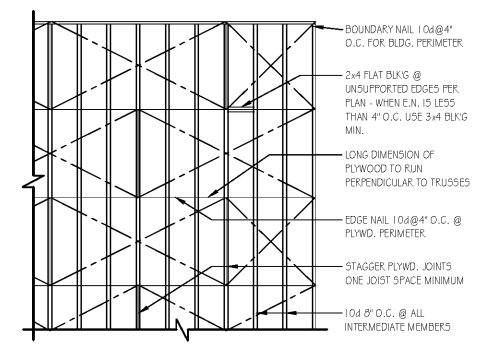
DRAWN BY: ES CHECKED BY: SH

FRAMING DETAILS

DATE: 8-21-2019

SHEET NUMBER:

S5

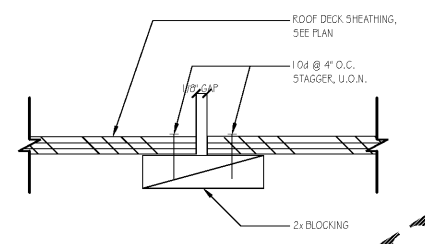


NOTES:
 1. MIN. PLYWD. SHT. SIZE SHALL BE 2'-0" X 4'-0".
 2. MIN. 3/8" NAILING EDGE DISTANCE.
 3. EDGE NAIL (E.N.) OF BEAMS AND AROUND ALL OPENINGS.

CONNECTION TYPE:	NAILING:
1. JOIST TO SILL OR GIRDER, TOENAIL	(3-5d)
2. BRIDGING TO JOIST, TOENAIL EACH END	(2-5d)
3. 1"x6" (25MMx152MM) SUBFLOOR OR LESS TO JOIST, FACE NAIL	(2-5d)
4. WIDER THAN 1"x6" (25MMx152MM) SUBFLOOR TO JOIST, FACE NAIL	(3-5d)
5. 2" (52MM) SUBFLOOR TO GIRDER, BLIND AND FACE NAIL	(2-16d)
6. SOLE PLATE TO JOIST OR BLOCKING, TYPICAL FACE NAIL	(16d @ 16" O.C.)
7. SOLE PLATE TO JOIST OR BLOCKING, AT BRACED W. PANELS	(3-16d PER 16")
8. TOP PLATE TO STUD, END NAIL	(2-16d)
9. STUD TO SOLE PLATE	(2-16d END NAIL)
10. DOUBLE STUDS, FACE NAIL	(16d @ 12", O.C.)
11. DOUBLE TOP PLATES, TYPICAL FACE NAIL	(16d @ 12" O.C.)
12. DOUBLE TOP PLATES, TOP SPLICE	SEE 15-54.1
13. BLOCKING BETWEEN JOISTS TO RAFTERS TO TOP PLATE, TOENAIL	(3-5d)
14. JOIST TO TOP PLATE, TOENAIL	(8d @ 6" O.C.)
15. TOP PLATES AND INTERSECTIONS, FACE NAIL	(2-16d)
16. CONTINUOUS HEADER, TWO PIECES	(16d @ 8" O.C. TOP & BOTTOM)
17. CEILING JOISTS TO PLATE, TOENAIL	(3-5d)
18. CONTINUOUS HEADER TO STUD, TOENAIL	(4-5d)
19. CEILING JOISTS, LAP OVER PARTITIONS, FACE NAIL	(3-16d)
20. CEILING JOISTS TO PARALLEL RAFTERS, FACE NAIL	(3-16d)
21. RAFTER TO PLATE, TOENAIL	(3-5d)
22. 1" (25MM) BRACE TO EACH STUD AND PLATE, FACE NAIL	(2-5d)
23. 1"x6" SHEATHING OR LESS TO EACH BEARING, FACE NAIL	(2-5d)
24. WIDER THAN 1"x6" SHEATHING TO EACH BEARING, FACE NAIL	(3-5d)
25. BUILT-UP CORNER STUDS	(16d @ 12" O.C.)
26. 2" FLANKS	(2-16d AT EACH SPLICE)
27. 2x6 BOX BEAM / HEADER	(1 24 @ 12" O.C.)
28. BUILT-UP GIRDER AND BEAMS	(20d @ 32" O.C. AT TOP & BOTTOM AND STAGGERED 2-20d AT ENDS AND AT EACH SPLICE)

NOT USED SCALE: N.T.S. 2

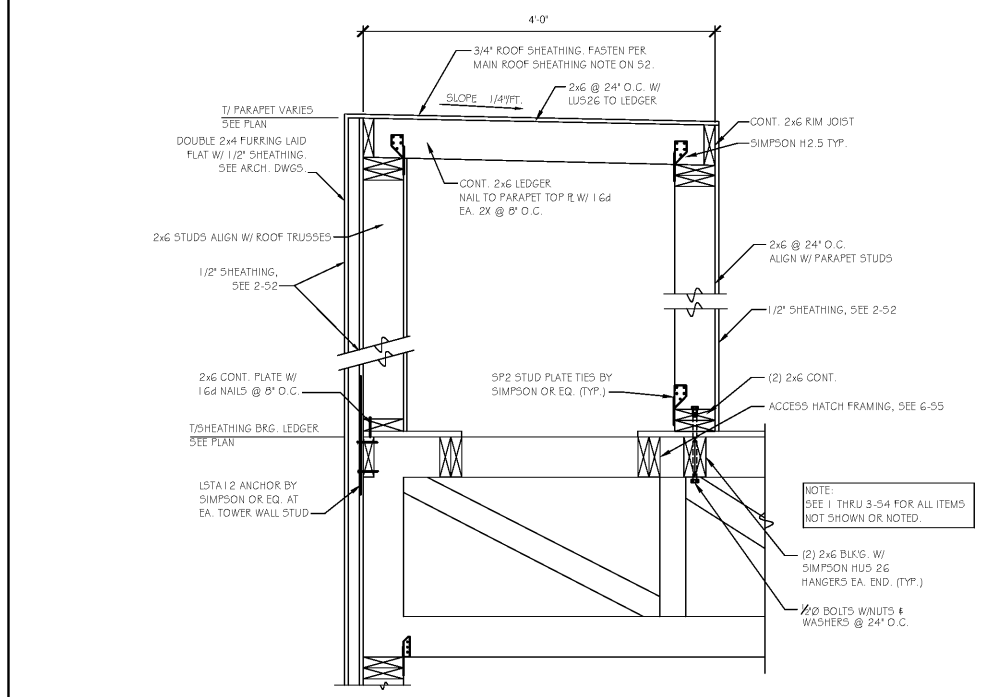
ROOF NAILING PLAN SCALE: N.T.S. 4



PLYWOOD EDGE BLOCKING SCALE: N.T.S. 5

TYPICAL ROOF OPENING SCALE: 1"=1'-0" 6

NAILING SCHEDULE SCALE: N.T.S. 3

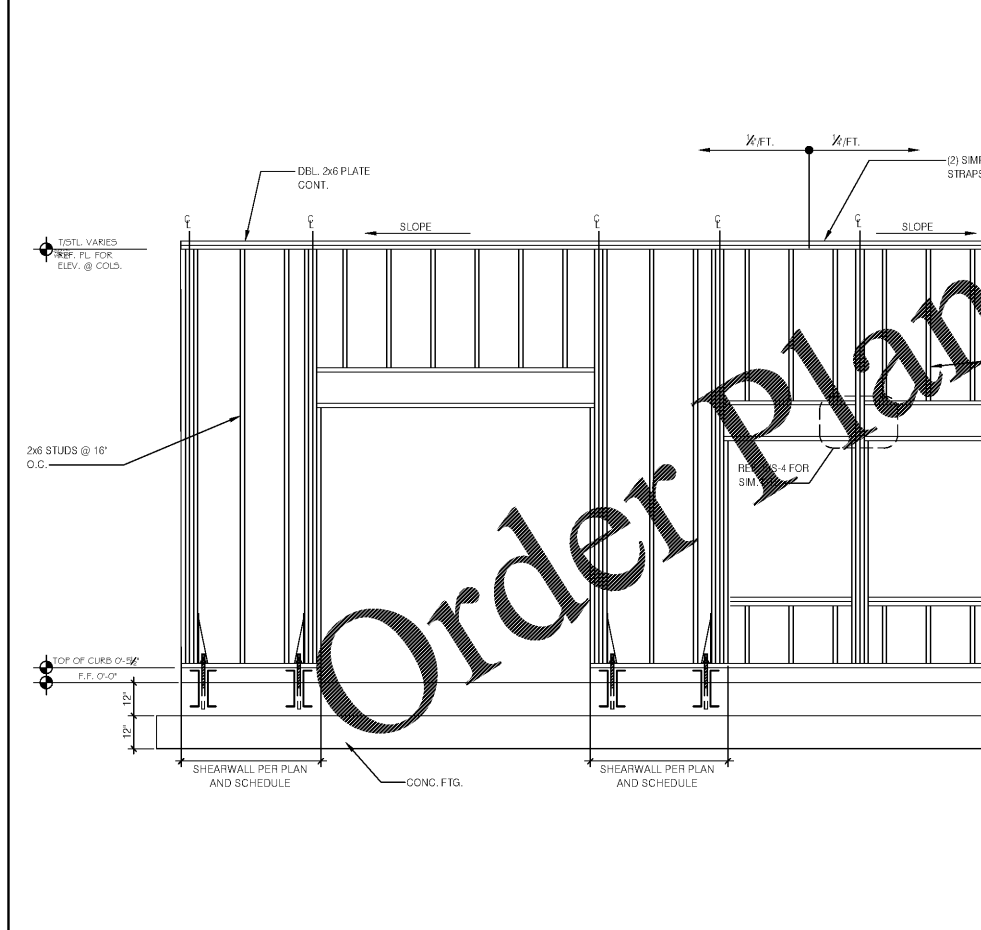


SIDEWALL SECTION SCALE: 1"=1'-0" 1

NOT USED SCALE: N.T.S. 7

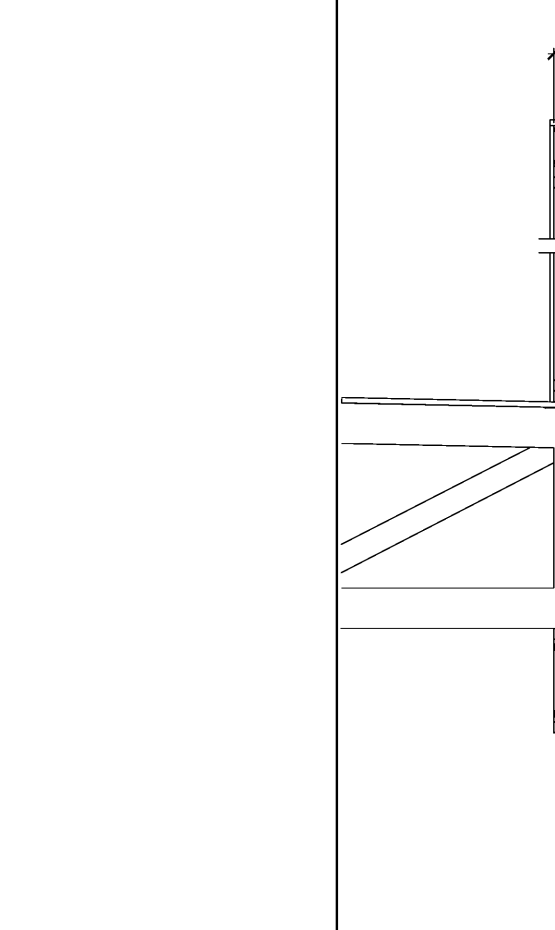
NOT USED SCALE: 1"=1'-0" 8

DRIVE-THRU SECTION SCALE: 1"=1'-0" 9

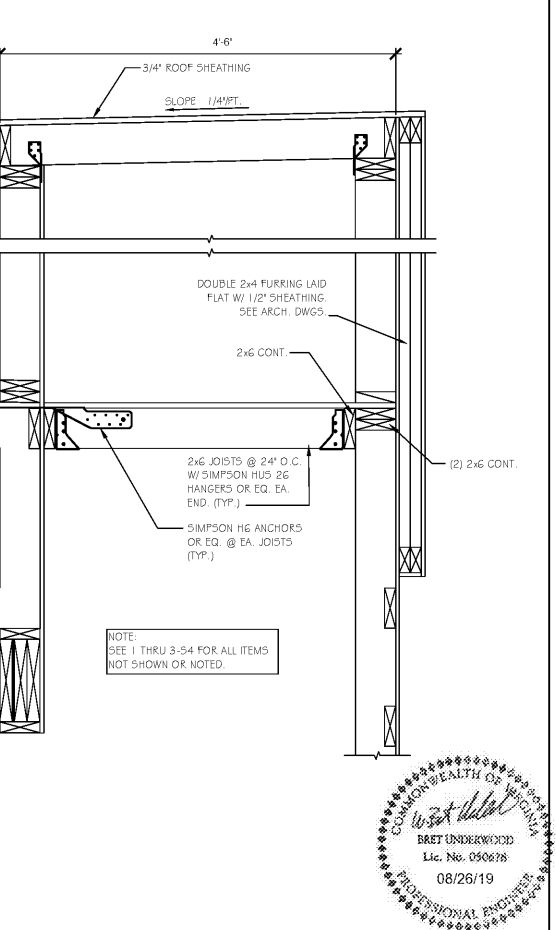


FRONT FRAMING ELEVATION SCALE: N.T.S. 7

NOT USED SCALE: 1"=1'-0" 8



DRIVE-THRU SECTION SCALE: 1"=1'-0" 9



DRIVE-THRU SECTION SCALE: 1"=1'-0" 9

Order Plans @ WWW.WDOnline.com