

Table with columns: NO., DATE, DESCRIPTION, REVISIONS

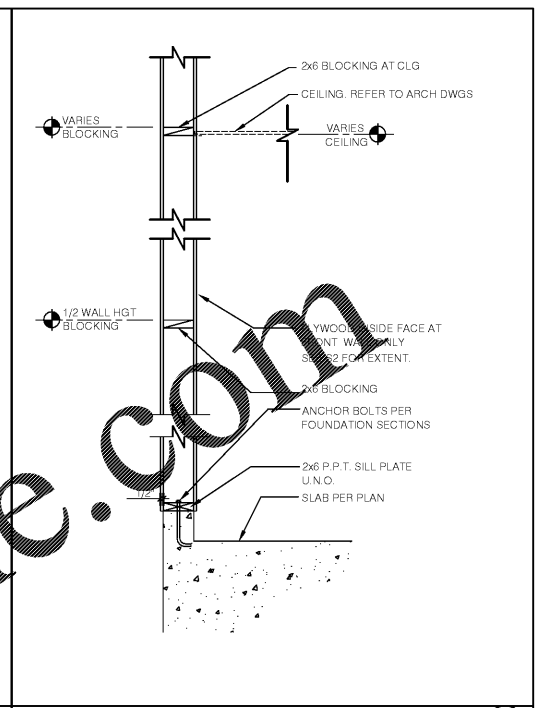
DRAWN BY: ES CHECKED BY: SH

FRAMING DETAILS

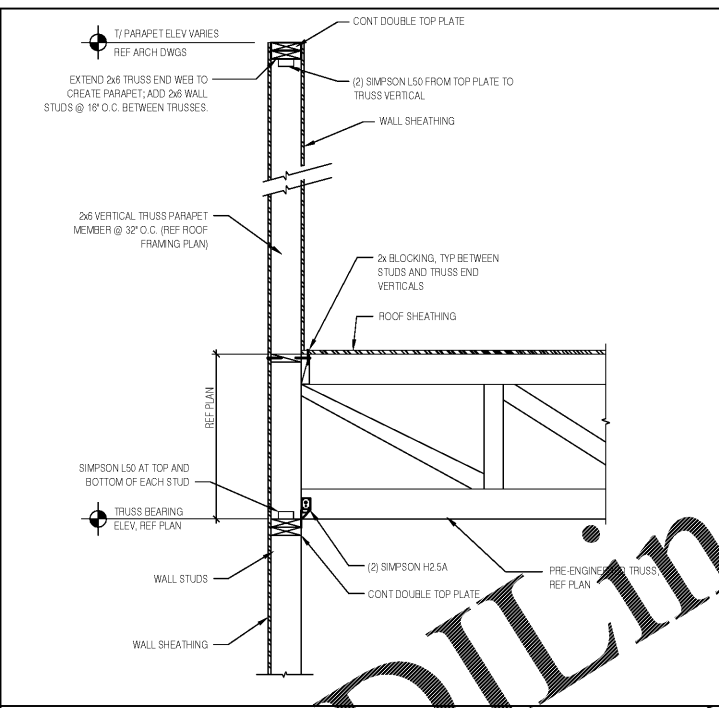
DATE: 8-21-2019

SHEET NUMBER:

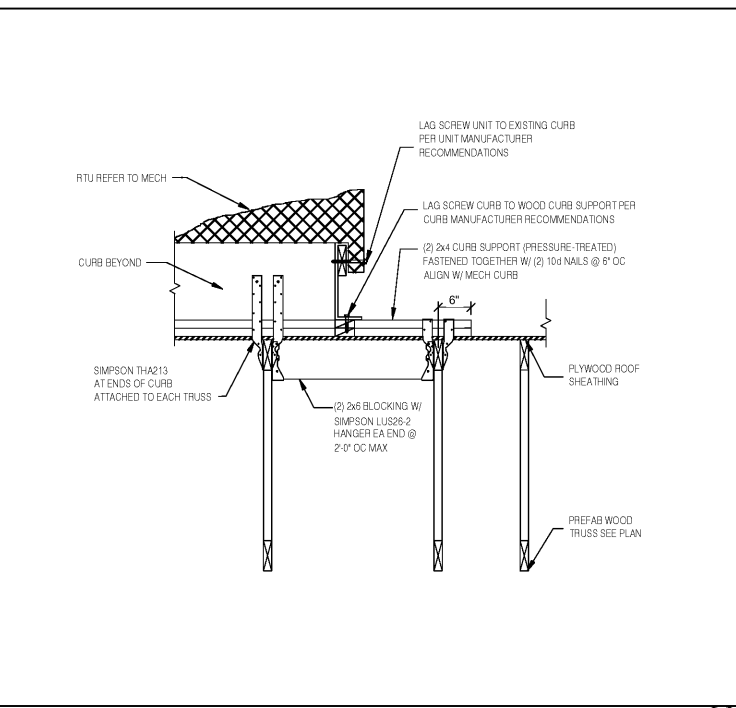
S4



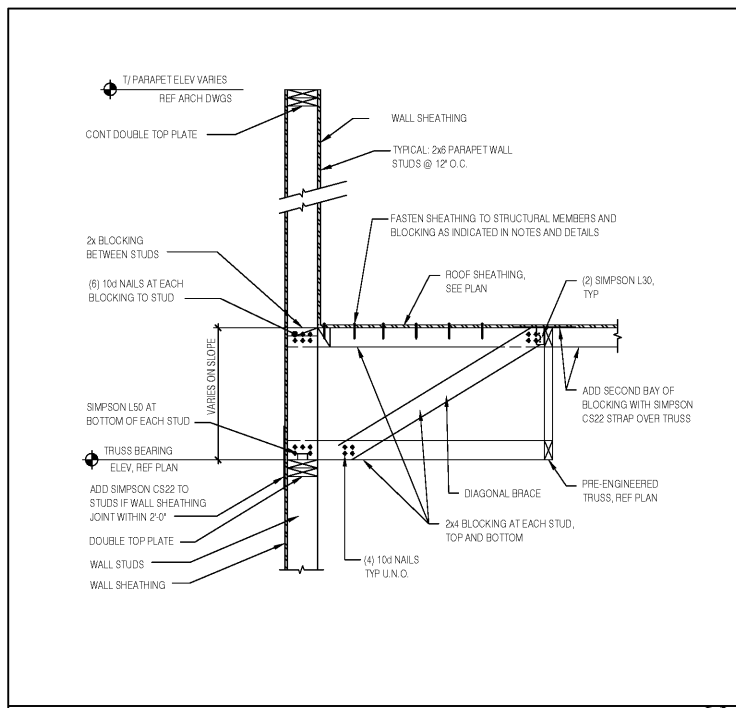
TYP. WALL BLOCKING SCALE: 3/4"=1'-0" 4



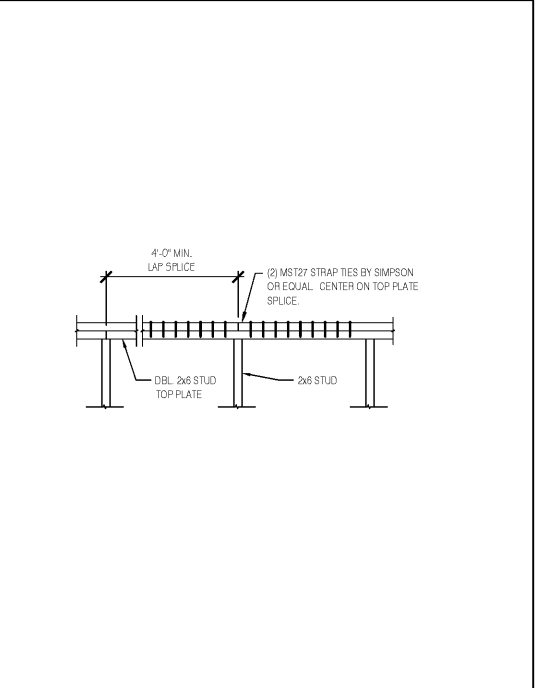
SIDE WALL SECTION SCALE: 3/4"=1'-0" 3



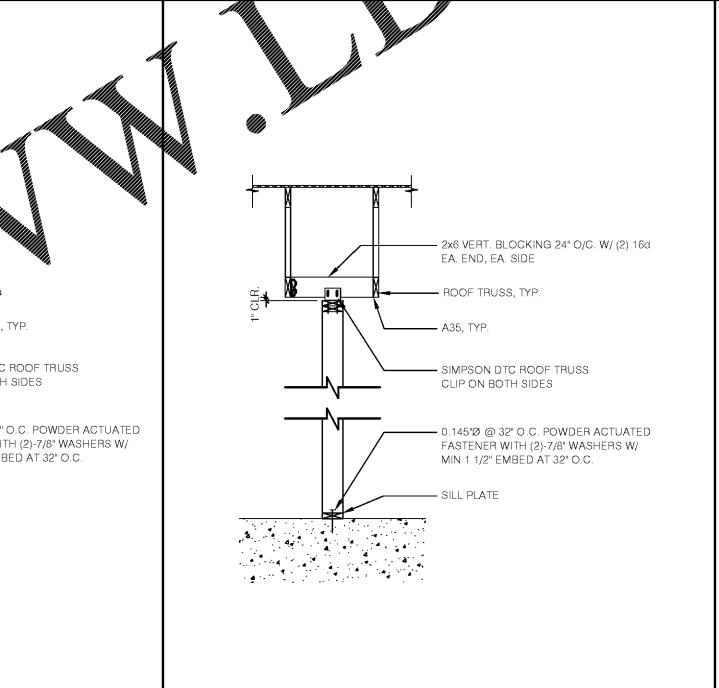
ROOF CURB SECTION SCALE: 3/4"=1'-0" 2



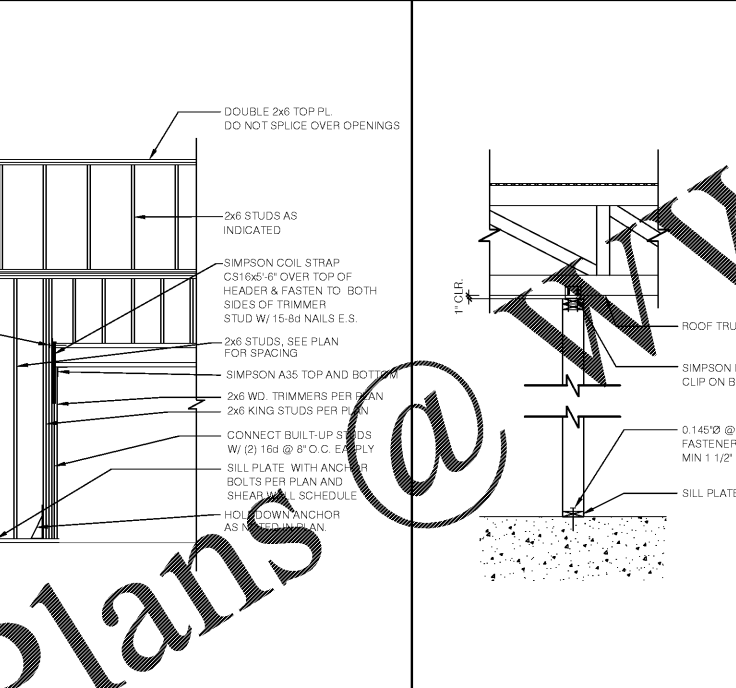
FRONT WALL SECTION SCALE: 3/4"=1'-0" 1



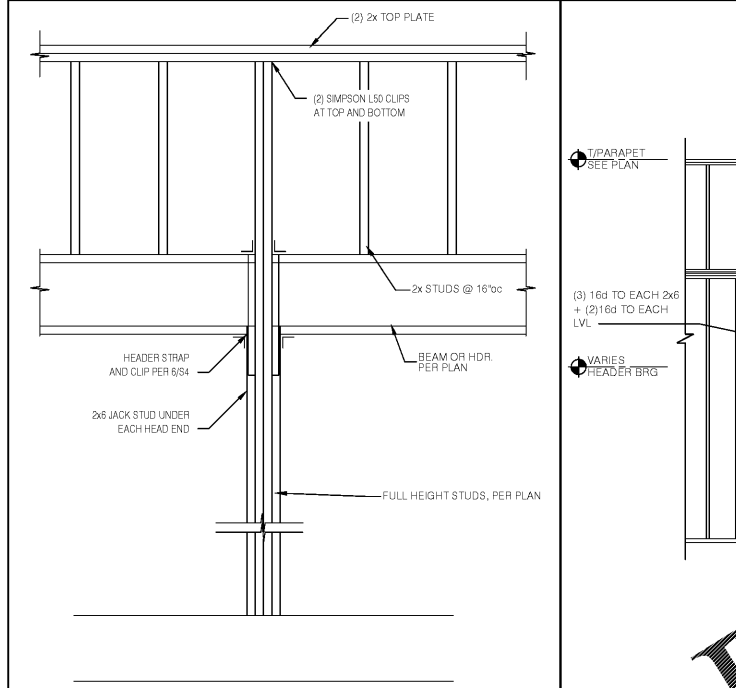
SUPPORT-PERP. TO TRUSS SCALE: 1/2"=1'-0" 8



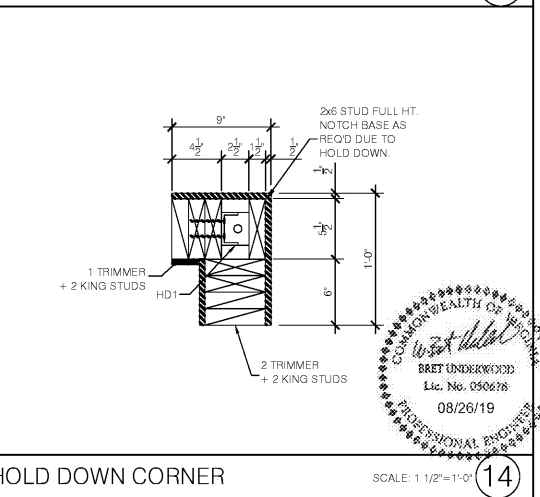
SUPPORT-PARALLEL TO TRUSS SCALE: 1/2"=1'-0" 7



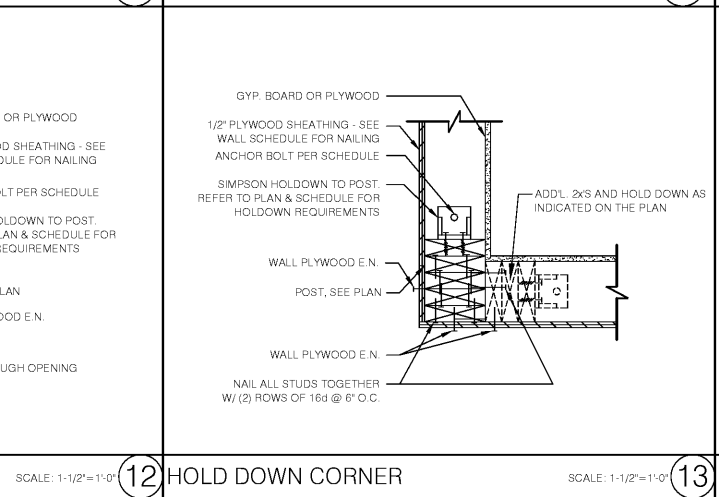
FRAMING ELEV. EXTERIOR OPENING SCALE: N.T.S. 6



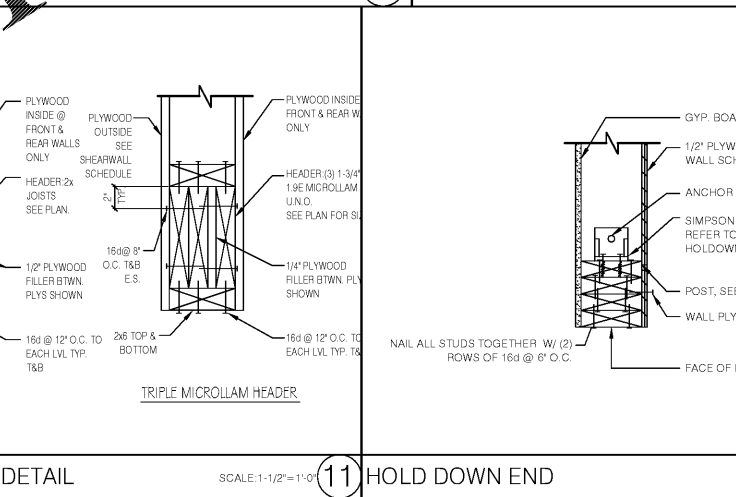
FRAMING ELEVATION @ OPENING SCALE: 3/4"=1'-0" 5



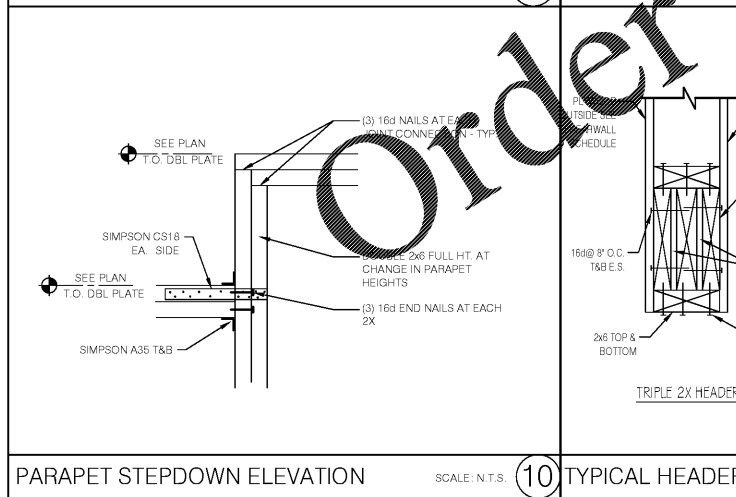
HOLD DOWN CORNER SCALE: 1 1/2"=1'-0" 14



HOLD DOWN CORNER SCALE: 1-1/2"=1'-0" 12



TYPICAL HEADER DETAIL SCALE: 1-1/2"=1'-0" 11



PARAPET STEPDOWN ELEVATION SCALE: N.T.S. 10

Order Plans @ WWW.LDILine.com