

NO.	DATE	DESCRIPTION

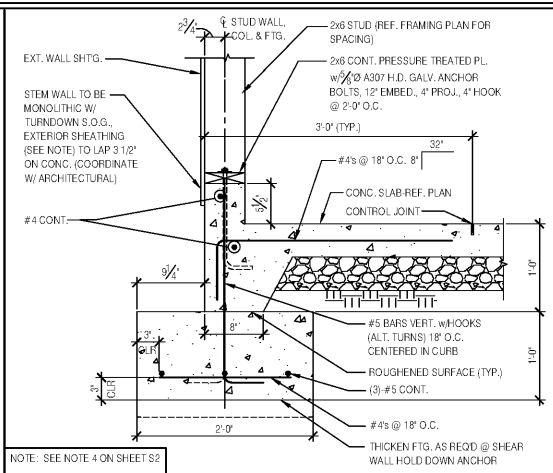
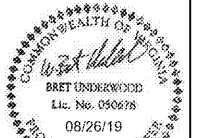
DRAWN BY: ES CHECKED BY: SH

FOUNDATION DETAILS

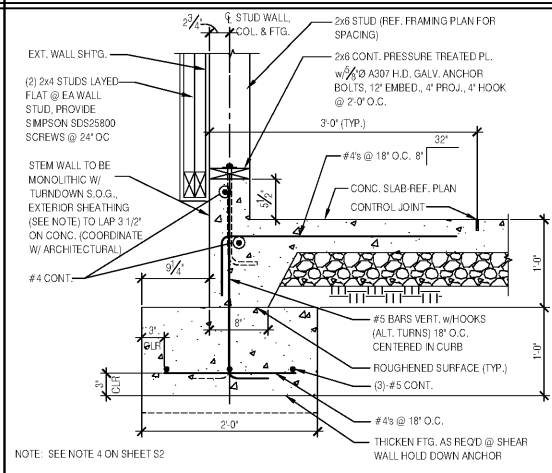
DATE: 8-21-2019

SHEET NUMBER:

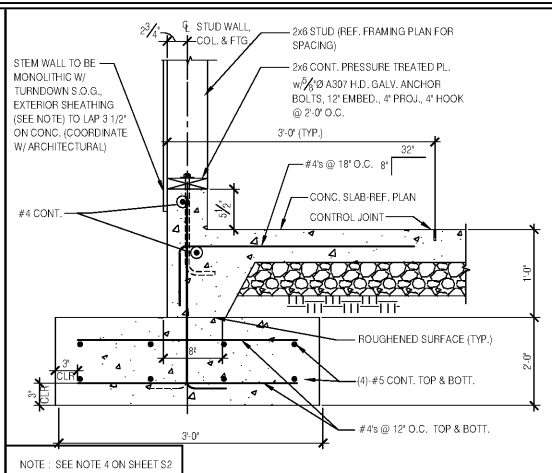
S3



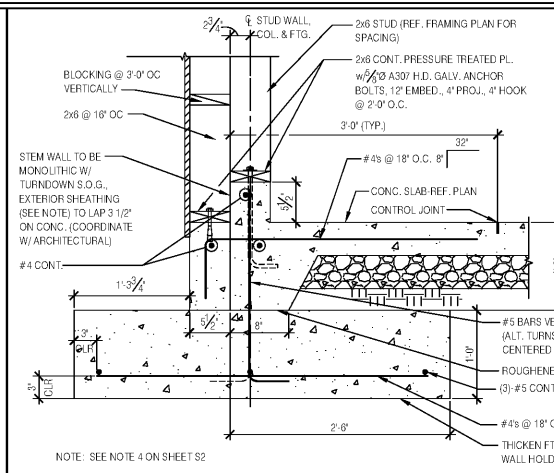
TYP. FOOTING. SCALE: 1/4" = 1'-0" (1)



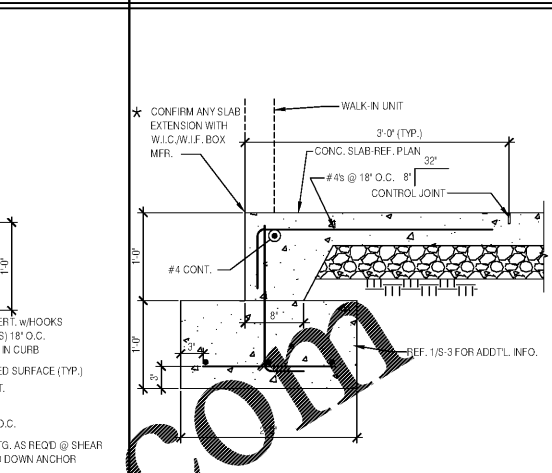
SECTION @ BUMPOUTS SCALE: 1/4" = 1'-0" (2)



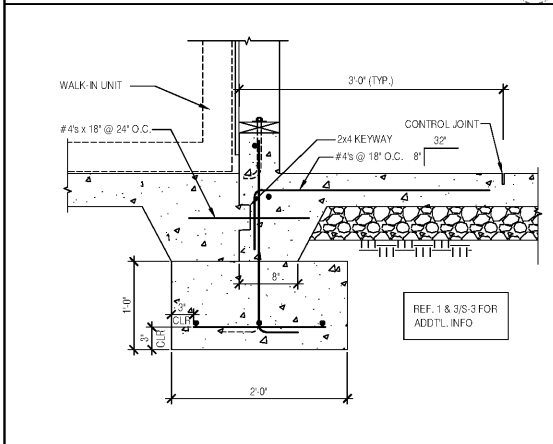
SECTION @ FRONT WALL SCALE: 1/4" = 1'-0" (3)



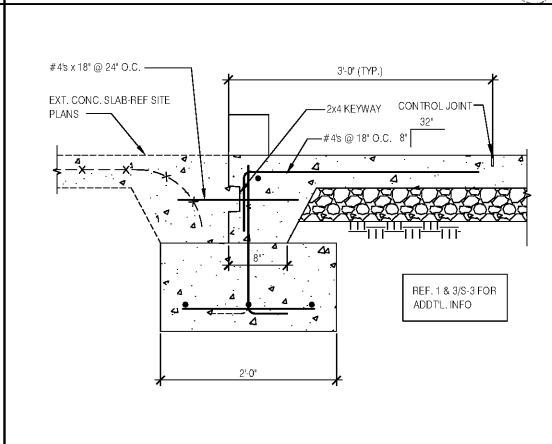
NOT USED SCALE: 1/4" = 1'-0" (4)



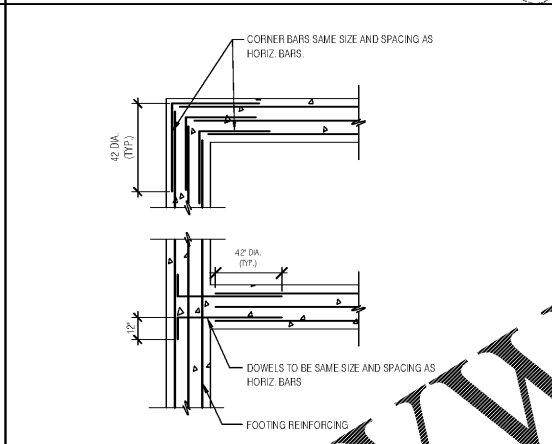
FOOTINGS @ WALK-IN SCALE: 1/4" = 1'-0" (5)



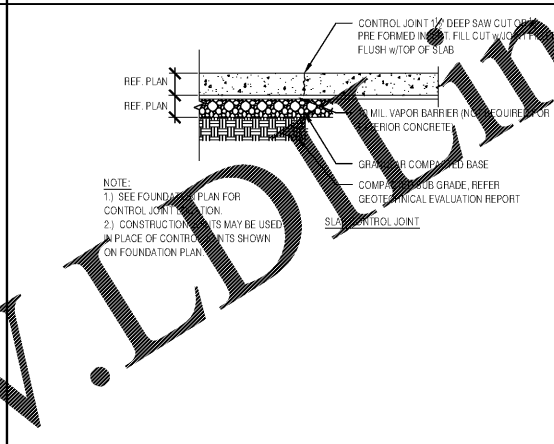
FOOTING @ REAR WALL @ WALK-IN SCALE: 1/4" = 1'-0" (6)



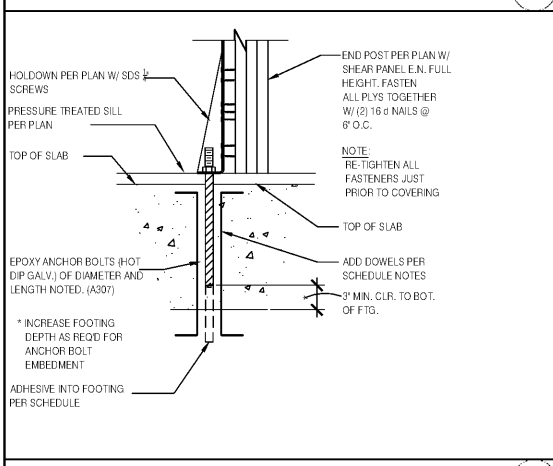
TYP. SECTION @ DOOR SCALE: 1/4" = 1'-0" (7)



TYP. DETAIL @ FTG. CORNER SCALE: 3/8" = 1'-0" (8)



TYP. CONCRETE SLAB JOINTS SCALE: 3/8" = 1'-0" (9)



HOLD DOWN DETAIL SCALE: N.T.S. (10)

MARK	SHEATHING (NOTES A AND B)		FASTENERS		CHORD STUD QTY.	HOLD-DOWNS (NOTE D)		SHEAR ANCHORS		NOTES
	PANEL	PANEL EDGES	SIZE	EDGE SPACING		TYPE	ANCHOR EMBED	TYPE	ANCHOR EMBED	
SW-1	SS 1/2" APA	BLOCKED	10d	6" O.C.	2 - 2x	HDU-SDS2.5	8"	3" DIA. TREN HD @ 32" OC	4"	---
SW-2	SS 1/2" APA	BLOCKED	10d	3" O.C.	3 - 2x	HDU-11-SDS2.5	NOTE 3	3" DIA. TREN HD @ 16" OC	8"	---
SW-3	DS 1/2" APA	BLOCKED	10d	3" O.C.	6 - 2x6	(2) HDU-14-SDS2.5	NOTE 3	3" DIA. TREN HD @ 8" OC	15"	REF 7/S6

SHEARWALL SCHEDULE NOTES:
 A. 'SS' = SW SHEATHING ON SINGLE SIDE OF WALL
 'DS' = SW SHEATHING ON DOUBLE SIDE OF WALL (BOTH FACES)
 'APA' = APA RATED SHEATHING
 B. TYPICAL SHEARWALL SHEATHING FIELD FASTENING SHALL BE 10d NAILS AT 6" O.C. EDGE FASTENING IS PER SCHEDULE.
 C. SHEAR ANCHORS BY SIMPSON STRONG TIE (OR EQUIV), LOCATE SHEAR ANCHORS AT 16" O.C. SPACING INDICATED, WITH ONE ANCHOR @ MAXIMUM FROM EACH END OF SHEARWALL.
 D. HOLD-DOWNS BY SIMPSON STRONG TIE (OR EQUIV), HOLD-DOWNS USING H-10 HIT HARD SYSTEM (OR EQUIV), ANCHOR ROD DIAMETER PER HOLD-DOWN MANUFACTURER. AT SW-2, EMBED ANCHORS 3" INTO FOOTING. AT SW-3, EMBED ANCHORS 9" MIN INTO FOOTING. ADD 2 #5 VERTICAL DOWELS AT SW-3, 3" FROM EACH END OF FOOTING.
 E. AT COLD-FORMED STEEL STUD SHEATHING TO SHEATHING TO STUDS, USE #8 SCREWS. HOLD-DOWNS ARE SIMPSON S-HDU6.

Order Plans @ WWW.LDLINE.COM