

PRINCE GEORGE COUNTY  
DEPARTMENT OF PUBLIC UTILITIES

NOTES:

- ALL MATERIALS FOR SEWER AND WATER SYSTEMS SHOWN SHALL BE SUPPLIED AND INSTALLED IN ACCORDANCE WITH THE LATEST SPECIFICATIONS OF PRINCE GEORGE COUNTY APPLICABLE AT THE TIME OF NOTICE TO PROCEED.
- FOR SEWER AND WATER INSTALLATION WITHIN EXISTING VDOT R/W, UTILITY CONTRACTORS MUST NOTIFY VDOT WHEN INSTALLATION BEGINS SO THAT DENSITY CAN BE TESTED (95% @ OPTIMUM MOISTURE + 2%).
- THE INSTALLATION OF A SEWER BACKFLOW DEVICE IS REQUIRED FOR ALL SERVICE CONNECTIONS WHERE THE FINISHED FLOOR ELEVATION IS LOWER THAN THE NEAREST DOWNGRADE AND/OR UPGRADE MANHOLE TOP ELEVATIONS. THIS DEVICE WILL BE INSPECTED BY THE BUILDING INSPECTION DEPARTMENT.
- ALL WATER SERVICE CONNECTIONS BELOW THE ELEVATION CONTOUR OR WHERE THE PRESSURE IS GREATER THAN 80 P.S.I. WILL REQUIRE INDIVIDUAL PRESSURE REGULATORS AS REQUIRED BY BOCA CODE.
- VERTICAL DATUM IS BASED ON MEAN SEA LEVEL (USC & GS DATUM). HORIZONTAL CONTROLS ARE BASED ON VIRGINIA STATE PLANE COORDINATE GRID, SOUTH ZONE, NORTH AMERICAN DATUM OF 1983 (NAD 83).
- CONTRACTOR SHALL PROPERLY NOTIFY ALL PROPERTY OWNERS TWO (2) WEEKS PRIOR TO THE START OF ANY CONSTRUCTION (INCLUDING LAND CLEARING). NOTIFICATION SHALL BE IN THE FORM OF A LETTER SIMILAR TO THE "SAMPLE" REFLECTED IN THE COUNTY'S LATEST WATER AND SEWER SPECIFICATIONS (NOT-1).

REQUIRED INFORMATION FOR TITLE PAGE

APPLICANTS NAME \_\_\_\_\_  
ZONING AND CASE# \_\_\_\_\_  
NUMBER OF LOTS \_\_\_\_\_  
TAX MAP NUMBER \_\_\_\_\_  
DATE OF PLANNING \_\_\_\_\_  
COMMISSION APPROVAL \_\_\_\_\_

DATE JAN. 2008	STANDARD SEWER AND WATER NOTES	DRWG. NO. DES-2
REVISIONS		

PRINCE GEORGE COUNTY  
DEPARTMENT OF PUBLIC UTILITIES

NOTES CONT:

- THE ENGINEER WILL CERTIFY THAT THE ROADS ARE WITHIN 6-INCHES OF SUBGRADE BEFORE WATERLINE CONSTRUCTION CAN BEGIN.
- FOR SEWER AND WATER INSTALLATION WITHIN EXISTING VDOT R/W, UTILITY CONTRACTORS SHALL NOTIFY VDOT 48 HOURS IN ADVANCE WHEN INSTALLATION BEGINS SO THAT DENSITY CAN BE TESTED (95% @ OPTIMUM MOISTURE + 2%).
- CONTRACTOR SHALL VERIFY LOCATION AND ELEVATION OF ALL UNDERGROUND UTILITIES SHOWN ON THE PLANS IN AREAS OF CONSTRUCTION PRIOR TO STARTING THE WORK. CONTACT ENGINEER IMMEDIATELY IF LOCATION OR ELEVATION IS DIFFERENT FROM THAT SHOWN ON THE PLAN, OR IF THERE APPEARS TO BE A CONFLICT, AND UPON DISCOVERY OF ANY UTILITY NOT SHOWN ON THE PLAN CALL MISS UTILITY OF VIRGINIA AT 1-800-552-7001 (TOLL FREE).
- THE INSTALLATION OF A BACKFLOW DEVICE IS REQUIRED IN ALL HOUSES WHERE THE FINISHED FLOOR ELEVATION IS LOWER THAN THE TOP UPGRADE MANHOLE. THIS DEVICE WILL BE INSPECTED BY THE COUNTY BUILDING INSPECTOR.
- INDIVIDUAL WATER SERVICES SHALL BE 3/4"
- ALL WATERLINE VALVES MUST BE LOCATED ON THE TEE OR CROSS WHEN APPLICABLE.
- ALL MANHOLES IN UTILITY EASEMENTS ARE TO HAVE THE CONCRETE SECTION EXTENDED ONE FOOT ABOVE THE GROUND OR DETAIL MAN-2B SHALL BE USED
- A SMOOTH TRANSITION OF A DROP MANHOLE MUST BE PROVIDED FOR EACH LATERAL OR SANITARY SEWER ENTERING A SANITARY MANHOLE
- ALL FIRE HYDRANTS SHALL BE O.S.H.A. RED IN COLOR.
- METER BOXES PROVIDED SHALL BE CAST IRON 12"x18"x24" HIGH WITH CAST IRON LIDS. THE METER ASSEMBLIES ARE TO BE SUPPLIED WITH NEPTUNE PROREAD ENCODERS AND R9001 PIT MIU (RF) ATTACHED TO THE LID. METERS ARE TO BE COMPATIBLE WITH THE PROPOSED SYSTEM. A WAND TYPE VISUAL READER COMPATIBLE WITH THE PROREAD SYSTEM WILL BE SUPPLIED TO THE UTILITY DEPARTMENT WITH THE WATER METERS.
- ALL SANITARY SEWER LATERALS THAT ARE INSTALLED OUTSIDE OF THE R/W ARE TO HAVE THE CLEANOUT INSTALLED AT THE EDGE OF THE EASEMENT. A CARBONITE MARKER SHALL ALSO BE INSTALLED TO INDICATE THEIR LOCATION.
- ALL HYDRANTS AND BENDS SHALL BE EQUIPPED WITH MEGA LUGS, KICKERS AND THRUST BLOCKS.
- PRESSURE REDUCING VALVES SHALL BE USED ON LOTS WHERE THE STATIC PRESSURE IN THE SYSTEM EXCEEDS 80 PSI OR AS REQUIRED BY BUILDING CODE.
- CLEANOUTS ARE TO BE INSTALLED ON ALL SANITARY LATERALS IN ACCORDANCE WITH PRINCE GEORGE COUNTY SPECIFICATIONS. THESE CLEANOUTS SHOULD BE INSTALLED AT THE EDGE OF THE R/W.

DATE JAN. 2008	STANDARD SEWER AND WATER NOTES	DRWG. NO. DES-2
REVISIONS		SHEET 2 OF 3

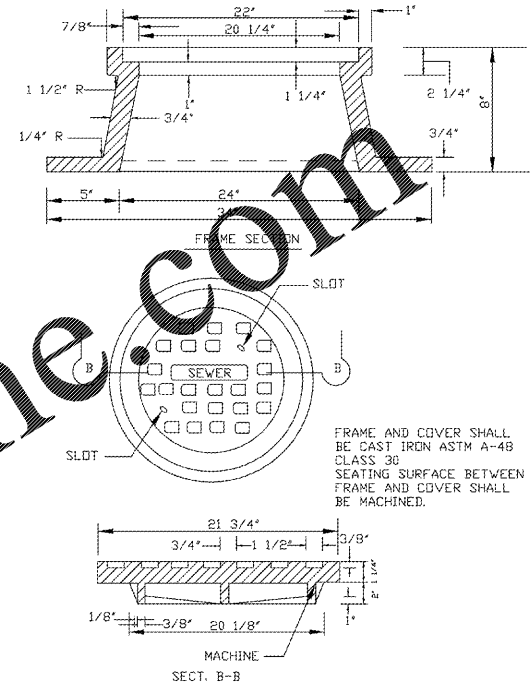
PRINCE GEORGE COUNTY  
DEPARTMENT OF PUBLIC UTILITIES

NOTES CONT:

- UTILITY INSPECTOR SHALL BE CONTACTED BEFORE INDIVIDUAL SERVICE CONNECTIONS ARE COVERED.
- ALL MANHOLES WITHIN 1,000 FEET OF A FORCE MAIN DISCHARGE SHALL BE COATED AS REQUIRED IN THE LATEST COUNTY SPECIFICATIONS.
- ALL INDIVIDUAL WATER AND SEWER CONNECTIONS SHALL BE MADE USING DOUBLE BANDED, STAINLESS STEEL, EPDXY COATED SADDLES.
- A 'W' AND 'S' SHALL BE STAMPED IN THE CURB WHILE THE CONCRETE IS STILL WET. THESE MARKS SHALL INDICATE THE ACTUAL LOCATION OF THE WATER AND SEWER CONNECTIONS FOR EACH LOT.
- ALL MANHOLES SHALL BE SEALED AT THE JOINTS WITH AN EXTERNAL RUBBER SLEEVE SIMILAR TO THE INFI-SHIELD SEAL WRAP AS MANUFACTURED BY SEALING SYSTEMS, INC. THE SEAL SHALL BE MADE OF EPDM (ETHYLENE PROPYLENE DIENE MONOMER) RUBBER WITH A MINIMUM THICKNESS OF 65 MILS. EACH UNIT SHALL HAVE A 2-INCH WIDE MASTIC STRIP ON THE TOP AND BOTTOM EDGE OF THE RUBBER WRAP. THE MASTIC SHALL BE NON-HARDENING BUTYL RUBBER SEALANT, WITH A MINIMUM THICKNESS OF 125 MILS.
- THE BOXES FOR THE SEWER CONNECTIONS MUST BE MARKED AS SEWER CONNECTIONS RATHER THAN WATER METER.
- ALL GATE VALVE BOXES LOCATED OUTSIDE THE PAVEMENT NEED TO BE ENCLOSED IN A 12"x12"x6" CONCRETE ENCLOSURE.

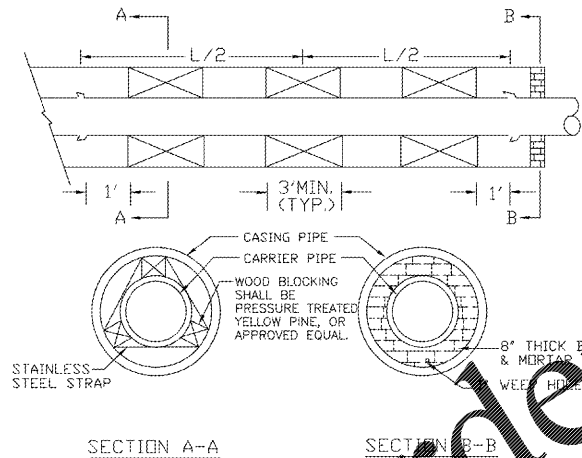
DATE JAN. 2008	STANDARD SEWER AND WATER NOTES	DRWG. NO. DES-2
REVISIONS		SHEET 3 OF 3

PRINCE GEORGE COUNTY  
DEPARTMENT OF PUBLIC UTILITIES



DATE JAN. 2008	STANDARD MANHOLE FRAME & COVER	DRWG. NO. MAN-11
REVISIONS		

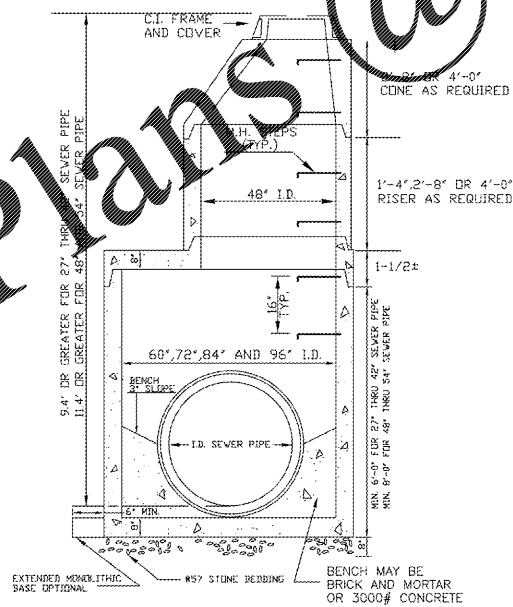
PRINCE GEORGE COUNTY  
DEPARTMENT OF PUBLIC UTILITIES



- NOTE
- THREE POINT BLOCKING SHALL BE USED FOR D.I. PIPE.
  - CARRIER PIPE WITHIN BORES FOR SANITARY SEWER INSTALLATION SHALL BE DUCTILE IRON (CLASS 52) AND IS TO BE COATED FROM MANHOLE TO MANHOLE.
  - ENTIRE LENGTH OF CASING SHALL BE GROUTED.
  - FOR ALTERNATE METHOD OF INSTALLATION SEE CAS-3.
  - CARRIER PIPE TO BE INSTALLED WITH SPIDERS UNLESS OTHERWISE APPROVED

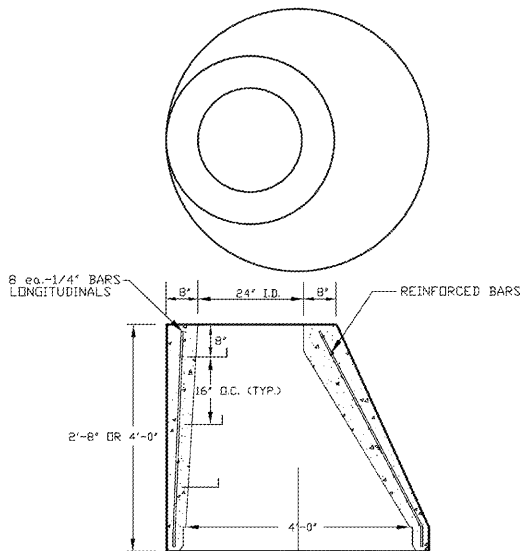
DATE JAN. 2008	CASING DETAIL - SEWER	DRWG. NO. CAS-2
REVISIONS		

PRINCE GEORGE COUNTY  
DEPARTMENT OF PUBLIC UTILITIES



DATE JAN. 2008	STANDARD PRECAST CONCRETE MANHOLE III 60", 72", 84", AND 96" I.D.	DRWG. NO. MAN-5
REVISIONS		

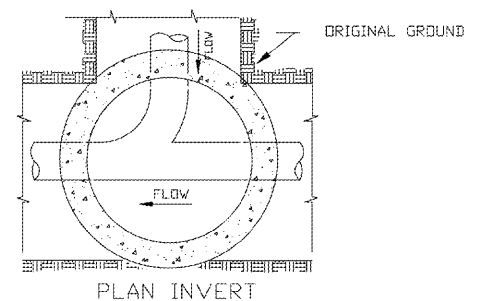
PRINCE GEORGE COUNTY  
DEPARTMENT OF PUBLIC UTILITIES



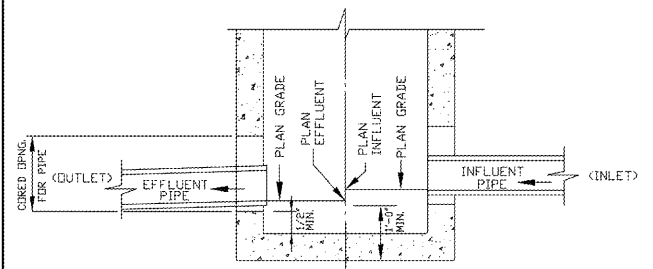
- NOTES:
- CONE SHALL MEET REQUIREMENTS OF ASTM C-478. O-RING GASKET JOINTS MEET REQUIREMENTS OF ASTM C443.
  - CONCRETE SHALL MEET OR EXCEED THE TEST 4000 PSI MINIMUM COMPRESSIVE 28 DAY STRENGTH.
  - APPROVED STEPS SHALL BE EQUAL, SPACED @ 16 INCHES O.C.
  - REINFORCING SHALL BE A MINIMUM 1/2" IN 2" DIA. MINIMUM OF 8 EACH - 1/4" BARS ON BACK FACE & MINIMUM OF 4 EACH - #3 BARS ON FRONT FACE AND W/3 E4 GALV. WIRING.
  - A MAXIMUM OF TWO LIFT HOLES PER SECTION.

DATE JAN. 2008	STANDARD ECCENTRIC CONE	DRWG. NO. MAN-8
REVISIONS		

PRINCE GEORGE COUNTY  
DEPARTMENT OF PUBLIC UTILITIES



- NOTE: THE EFFLUENT ELEVATION SHOWN AT A MANHOLE IS ESTABLISHED FROM THE INFLUENT ELEVATION OF THE MANHOLE IMMEDIATELY DOWNSTREAM. ELEVATIONS SHOWN APPLY AT THE C.O. OF MANHOLES & ARE BASED ON THE HORIZONTAL DISTANCE, C TO C, M.H. USING PERCENT OF GRADE INDICATED. MINIMUM INVERT GRADE TO BE 0.1"



DATE JAN. 2008	STANDARD INVERT DETAILS	DRWG. NO. MAN-9
REVISIONS		

**STOCKS ENGINEERING**  
801 EAST WASHINGTON STREET  
NASHVILLE, N.C. 27856  
PHONE: (252) 559-8196  
WWW.STOCKSENGINEERING.COM

**BLN-C-1874**  
**Hardees**  
ENTERPRISES, INC.  
P.O. BOX 1908  
ROCKY MOUNT, N.C.  
27602-8008  
(252) 907-2600

**Hardees at PRINCE GEORGE COUNTY, VA.**

COMMONWEALTH OF VIRGINIA  
PROFESSIONAL ENGINEER  
J. MICHAEL STOCKS  
LIC. NO. 003308  
J. Michael Stocks  
8/19/19

UTILITY NOTES AND DETAILS

REVISIONS	
12/8/19 PRINCE GEORGE REVIEW	
FILE NO. 2017-013	
HORIZ. SCALE: 1"=20'	
VERT. SCALE: NONE	

D-01