



McFarland Johnson
 2409 N. ROOSEVELT BOULEVARD
 SUITE 4
 KEY WEST, FLORIDA 33040
 P: 321-4321-7029
 mjinc.com

PROJECT MILESTONE

BID PLANS

NO.	DATE	DESCRIPTION

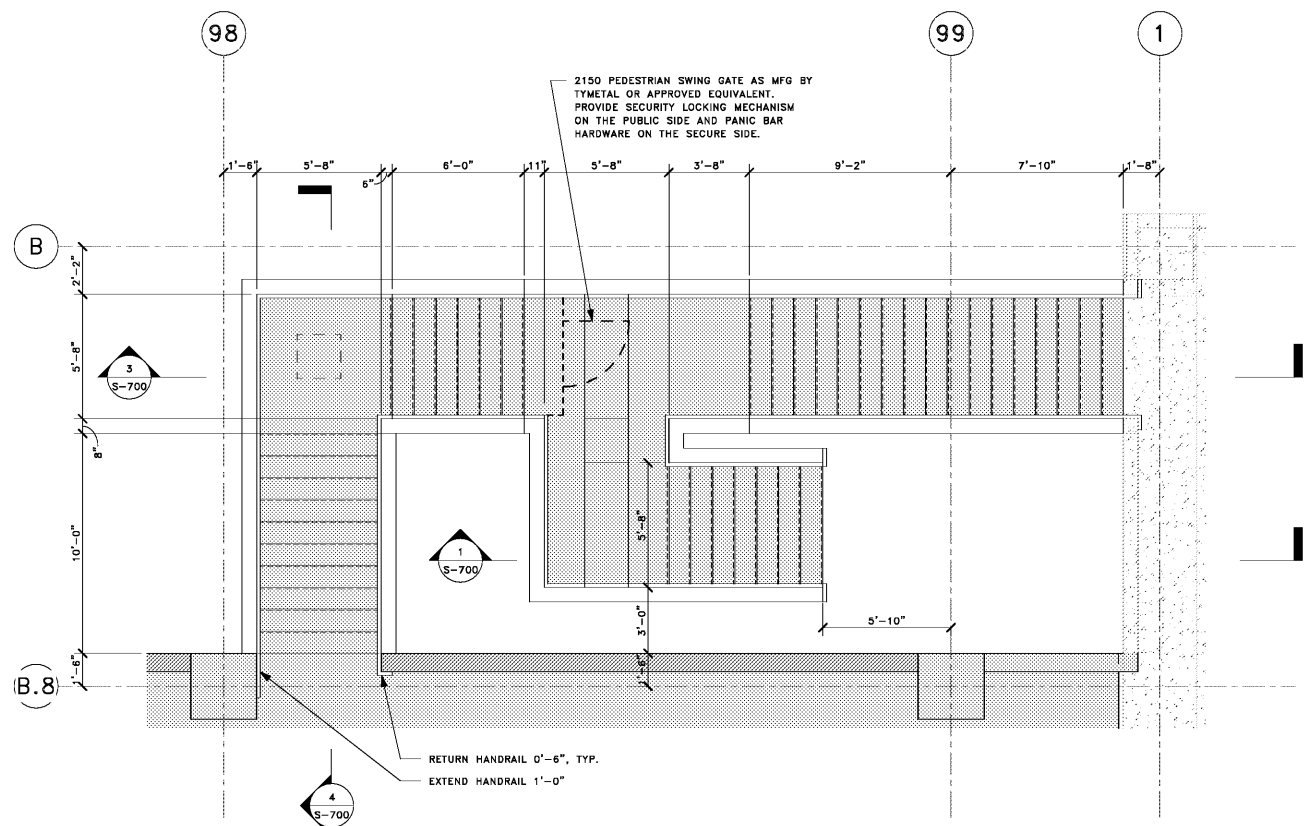
CLIENT: **KEY WEST INTERNATIONAL AIRPORT**
 PROJECT: **KEY WEST, FL**
AIRPORT MAINTENANCE STORAGE FACILITY PROJECT

DRAWN	OHG
DESIGNED	OHG
CHECKED	CEP
SCALE	
DATE	MARCH 4, 2020
PROJECT	18221.05

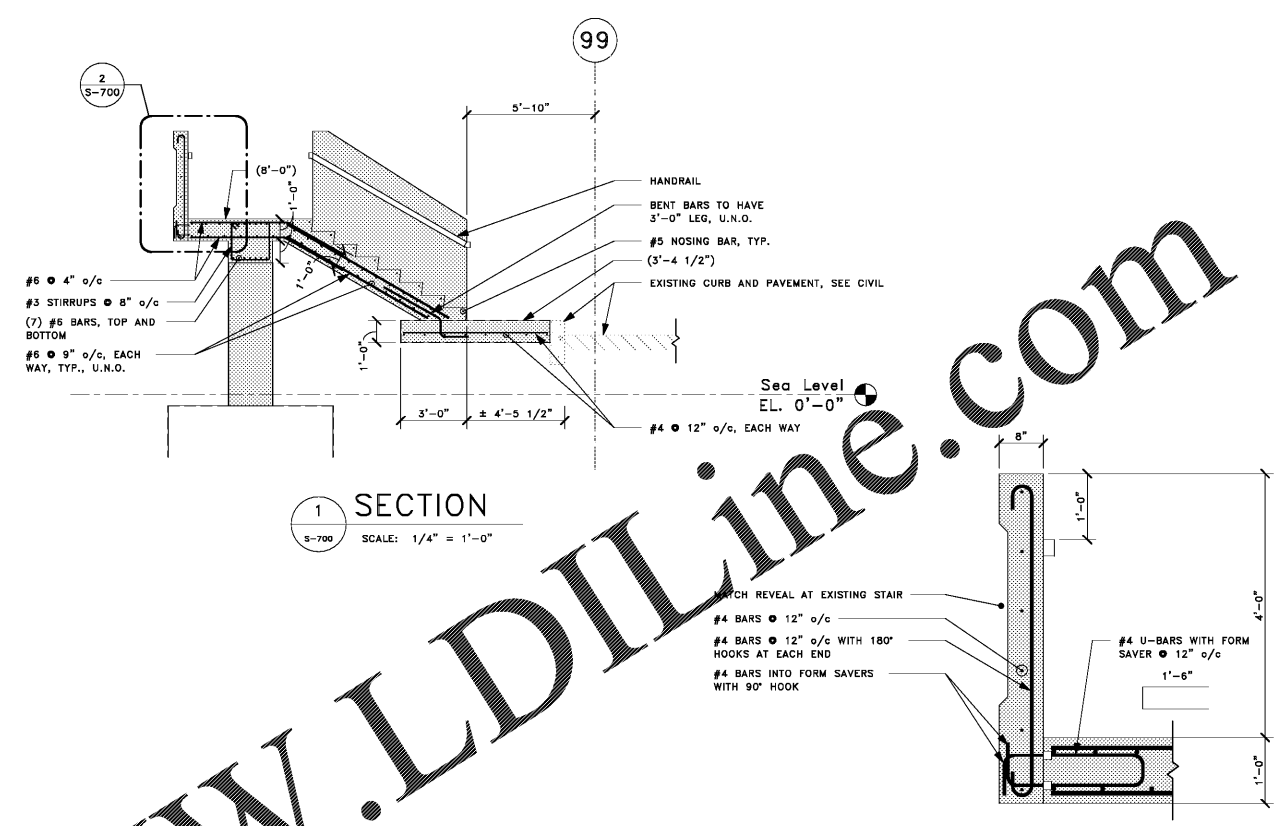
IT IS A VIOLATION OF LAW FOR ANY PERSON, UNLESS THEY ARE ACTING UNDER THE DIRECTION OF A LICENSED PROFESSIONAL ENGINEER, ARCHITECT, LANDSCAPE ARCHITECT, OR LAND SURVEYOR, TO ALTER AN ITEM IN ANY WAY, IF AN ITEM BEARING THE STAMP OF A LICENSED PROFESSIONAL IS ALTERED. THE ALTERING ENGINEER, ARCHITECT, LANDSCAPE ARCHITECT, OR LAND SURVEYOR SHALL STAMP THE DOCUMENT AND INCLUDE THE NOTATION "ALTERED BY" FOLLOWED BY THEIR SIGNATURE, THE DATE OF SUCH ALTERATION, AND A SPECIFIC DESCRIPTION OF THE ALTERATION.

DRAWING TITLE
STAIR PLANS AND DETAILS

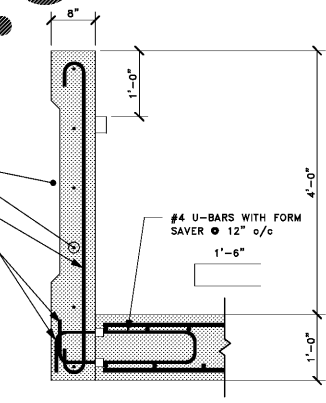
DRAWING NUMBER
S-700



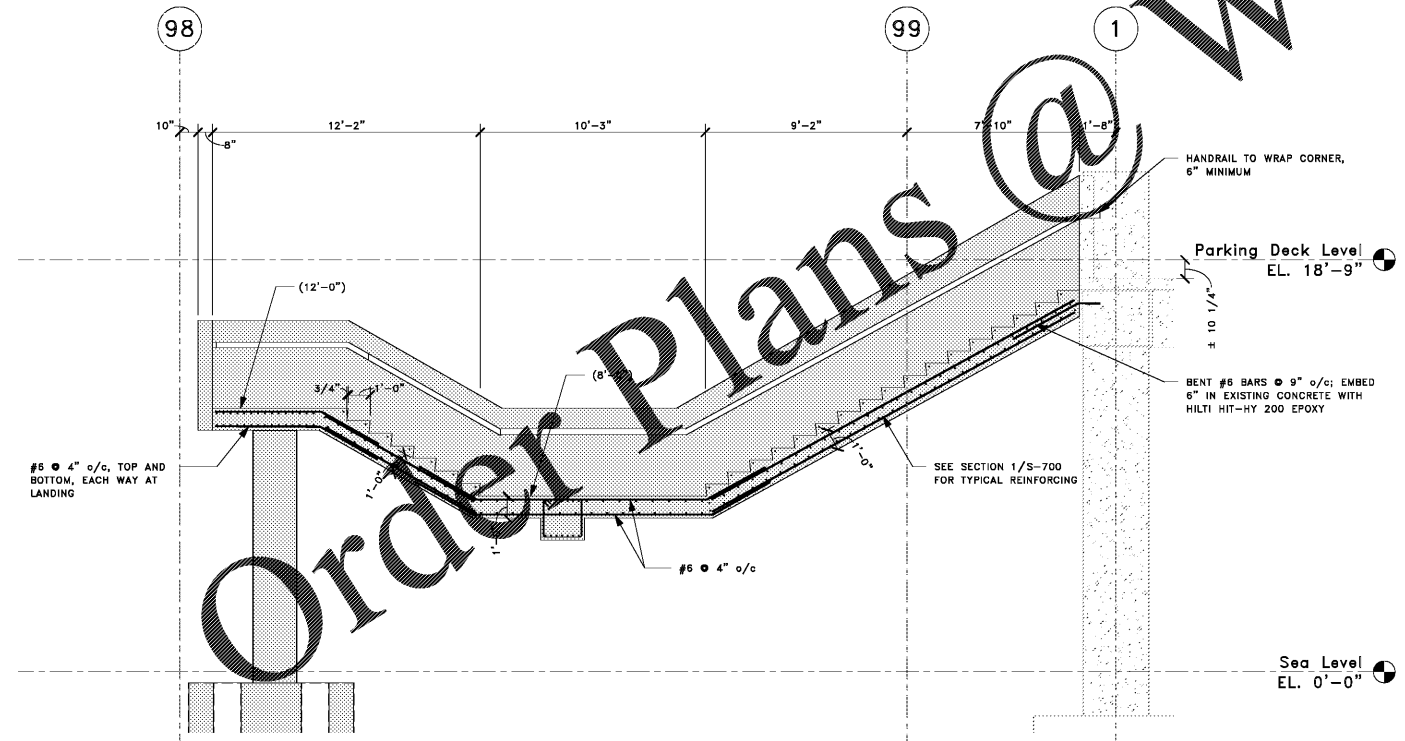
STAIR PLAN
 SCALE: 1/4" = 1'-0"
 NOTES:
 1. EVENLY SPACE STAIRS PER STAIR COUNTS AS SHOWN.
 2. RISERS TO BE 7" MAX HEIGHT.
 3. ALLOWABLE TOLERANCE BETWEEN LARGEST/SMALLEST RISER HEIGHTS AND LARGEST/SMALLEST TREAD DEPTHS IN EACH RUN IS 3/8".
 4. CONSTRUCT NEW STAIR FROM LANDING TO GRID 1 PRIOR TO DEMOLITION OF EXISTING STAIR.
 5. HANDRAIL TO BE SHOP FABRICATED STEEL HANDRAIL. MATCH EXISTING IN SIZE/STYLE/PROPORTIONS/ETC.



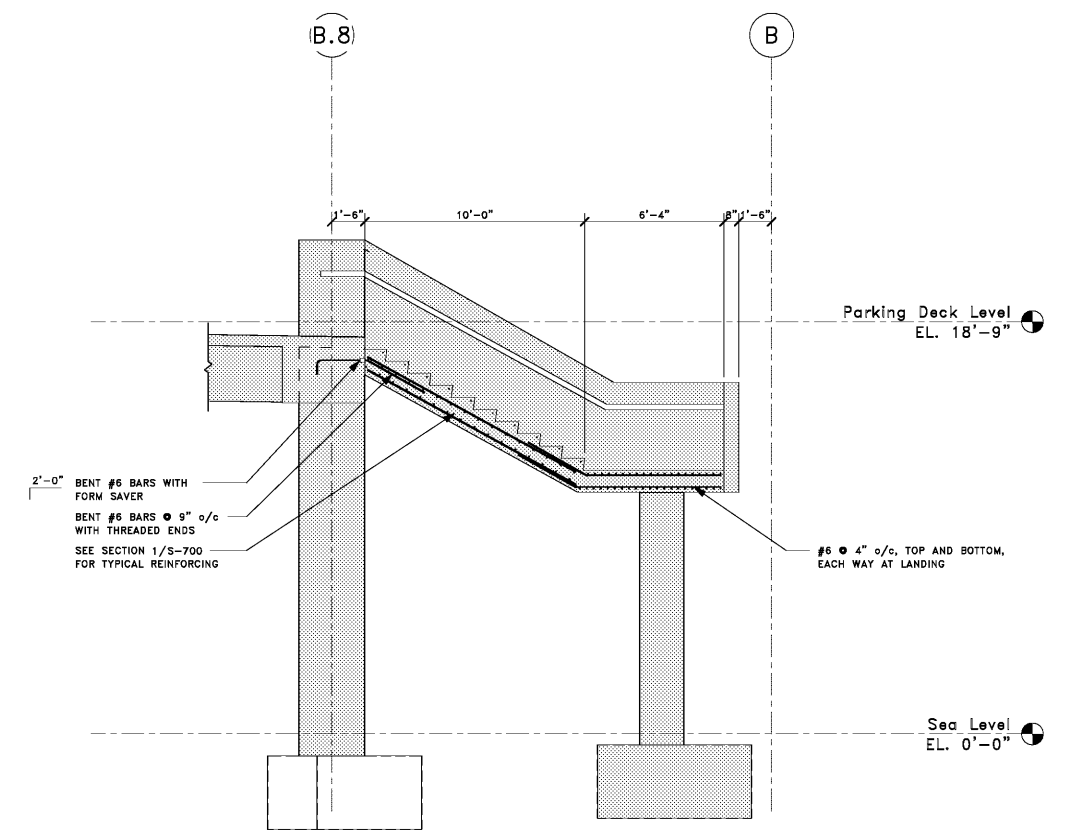
SECTION 1
 SCALE: 1/4" = 1'-0"



SECTION 2
 SCALE: 3/4" = 1'-0"



SECTION 3
 SCALE: 1/4" = 1'-0"



SECTION 4
 SCALE: 1/4" = 1'-0"

Order Plans @ www.LDILine.com