



McFarland Johnson
 2409 N. ROOSEVELT BOULEVARD
 SUITE 4
 KEY WEST, FLORIDA 33040
 P: 321-4321-7029
 mjinc.com

PROJECT MILESTONE

BID PLANS

NO.	DATE	DESCRIPTION

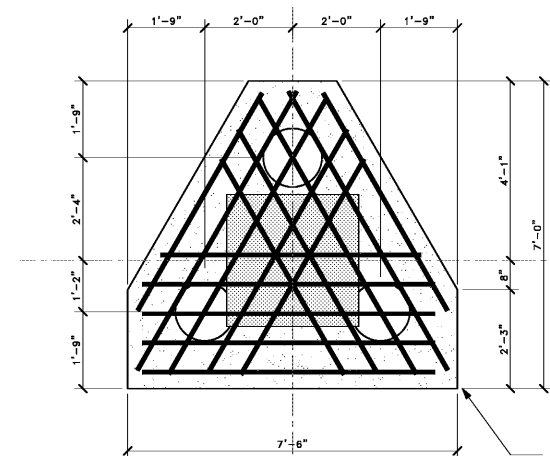
CLIENT: **KEY WEST INTERNATIONAL AIRPORT**
 KEY WEST, FL
 PROJECT: **AIRPORT MAINTENANCE STORAGE FACILITY PROJECT**

DRAWN	OHG
DESIGNED	OHG
CHECKED	CEP
SCALE	
DATE	MARCH 4, 2020
PROJECT	18221.05

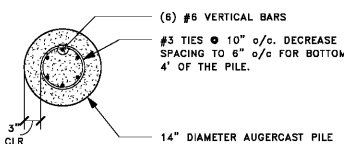
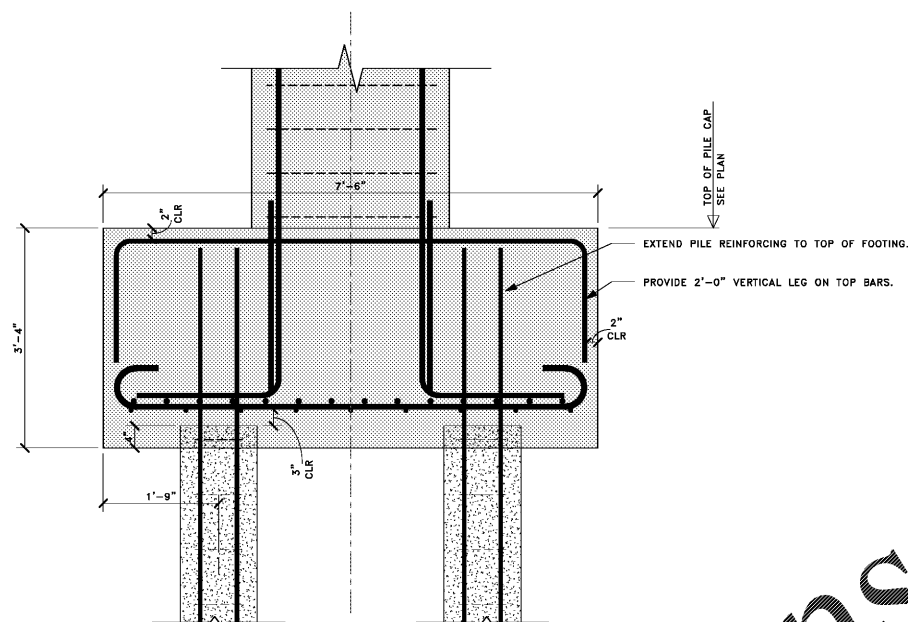
IT IS A VIOLATION OF LAW FOR ANY PERSON, UNLESS THEY ARE ACTING UNDER THE DIRECTION OF A LICENSED PROFESSIONAL ENGINEER, ARCHITECT, LANDSCAPE ARCHITECT, OR LAND SURVEYOR, TO ALTER AN ITEM IN ANY WAY. IF AN ITEM BEARING THE STAMP OF A LICENSED PROFESSIONAL IS ALTERED, THE ALTERING ENGINEER, ARCHITECT, LANDSCAPE ARCHITECT, OR LAND SURVEYOR SHALL STAMP THE DOCUMENT AND INCLUDE THE NOTATION "ALTERED BY" FOLLOWED BY THEIR SIGNATURE, THE DATE OF SUCH ALTERATION, AND A SPECIFIC DESCRIPTION OF THE ALTERATION.

DRAWING TITLE
PILE CAP DETAILS

DRAWING NUMBER
S-501



3'-6" THICK PILE CAP REINFORCED WITH (5) #9 AT 8" o/c EACH WAY IN THREE DIRECTIONS CENTERED OVER EACH PILE. PROVIDE TWO MATS OF #6 BARS AT 10" o/c EACH WAY TOP. PROVIDE STANDARD 180 DEGREE HOOKS AT EACH END OF ALL BOTTOM BARS. SEE SECTION BELOW FOR HOOK REQUIREMENTS FOR TOP BARS.



PROVIDE (3) 14" DIAMETER AUGERCAST PILES WITH A MINIMUM 100 TONS COMPRESSIVE CAPACITY. PILE CAP P1. PILE EMBEDMENT MINIMUM 10 FEET INTO LIMESTONE. ESTIMATED PILE LENGTH IS 15 FEET BELOW EXISTING GRADE.

AT P1A PROVIDE (2) 14" DIAMETER AUGERCAST PILES WITH A MINIMUM 35 TONS COMPRESSIVE CAPACITY. PILE EMBEDMENT MINIMUM 5 FEET INTO LIMESTONE. ESTIMATED PILE LENGTH IS 10 FEET BELOW EXISTING GRADE.

THE 100 TON PILE DESIGN MUST BE CONFIRMED WITH A LOAD TEST PROGRAM INCLUDING A TEST PILE AND LOAD TEST.

SCALE: 1/2" = 1'-0"

Order Plans @ www.LDILine.com

I:\projects\18221.05\Drawings\18221.05-P1A-Main.dwg (11/11/2019 10:58:11 AM) User: mjm