



McFarland Johnson
 2409 N. ROOSEVELT BOULEVARD
 SUITE 4
 KEY WEST, FLORIDA 33040
 P: 321-4321-7029
 mjjnc.com

PROJECT MILESTONE

BID PLANS

NO.	DATE	DESCRIPTION

CLIENT: **KEY WEST INTERNATIONAL AIRPORT**

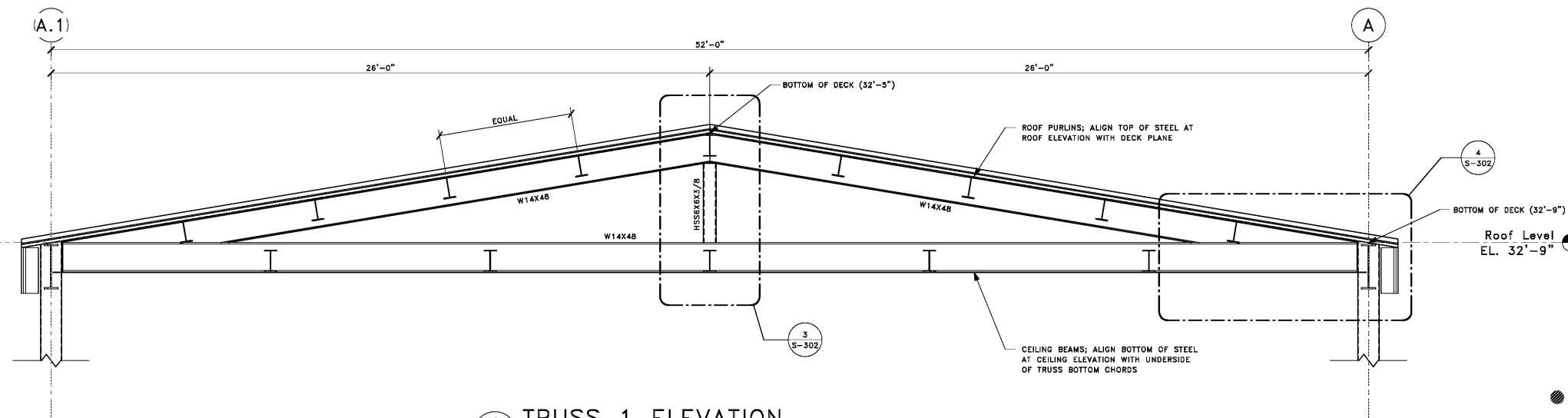
PROJECT: **KEY WEST, FL
 AIRPORT MAINTENANCE STORAGE FACILITY
 PROJECT**

DRAWN	OHG
DESIGNED	OHG
CHECKED	CEP
SCALE	
DATE	MARCH 4, 2020
PROJECT	18221.05

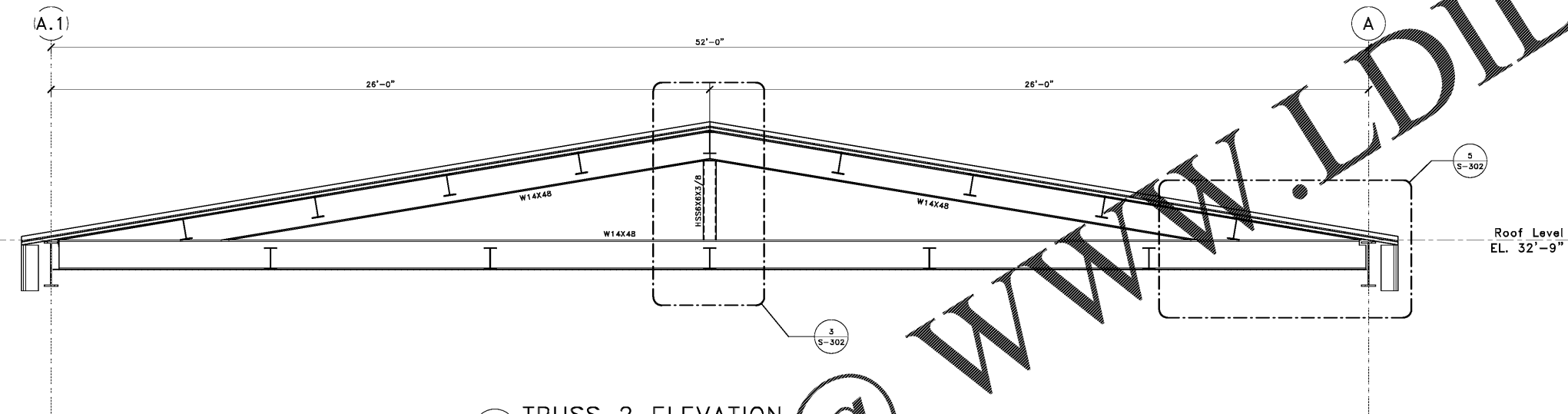
IT IS A VIOLATION OF LAW FOR ANY PERSON, UNLESS THEY ARE ACTING UNDER THE DIRECTION OF A LICENSED PROFESSIONAL ENGINEER, ARCHITECT, LANDSCAPE ARCHITECT, OR LAND SURVEYOR, TO ALTER AN ITEM IN ANY WAY. IF AN ITEM BEARING THE STAMP OF A LICENSED PROFESSIONAL IS ALTERED, THE ALTERING ENGINEER, ARCHITECT, LANDSCAPE ARCHITECT, OR LAND SURVEYOR SHALL STAMP THE DOCUMENT AND INCLUDE THE NOTATION "ALTERED BY" FOLLOWED BY THEIR SIGNATURE, THE DATE OF SUCH ALTERATION, AND A SPECIFIC DESCRIPTION OF THE ALTERATION.

DRAWING TITLE
TRUSS DETAILS

DRAWING NUMBER
S-302

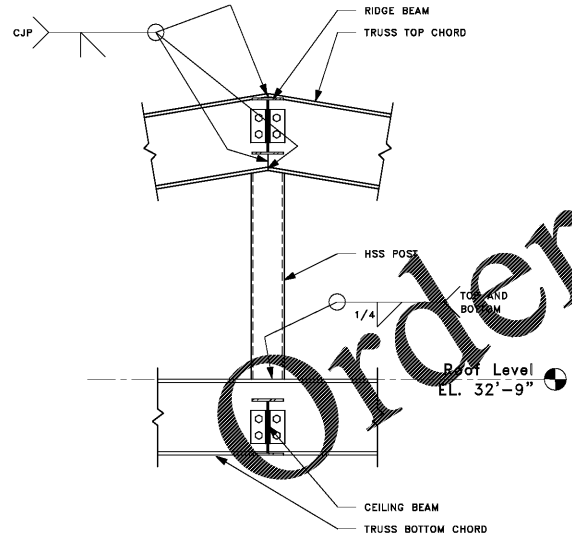


1 TRUSS 1 ELEVATION
 S-102 SCALE: 3/8" = 1'-0"

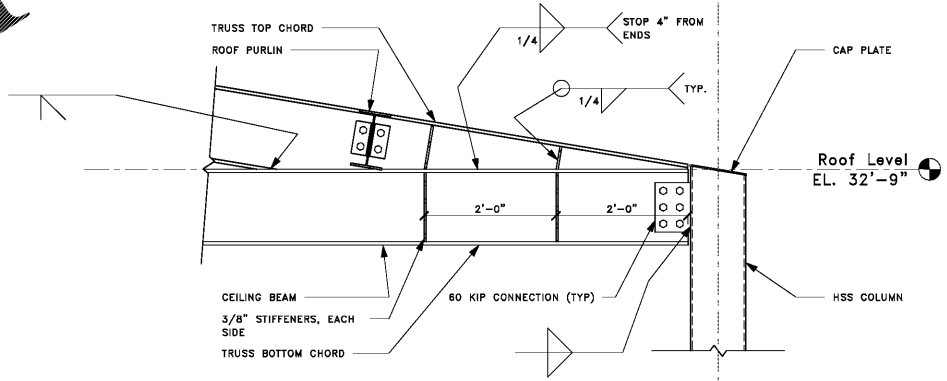


2 TRUSS 2 ELEVATION
 S-102 SCALE: 3/8" = 1'-0"

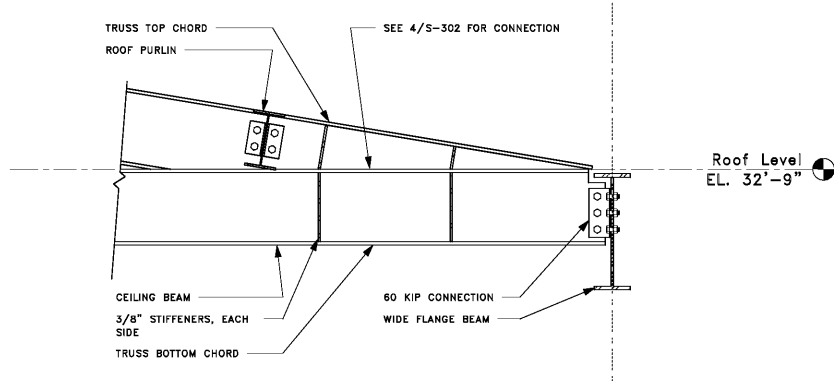
NOTES:
 1. SEE PLANS AND SECTIONS ON S-301 FOR ROOF/WALL/CEILING/FLOOR INFORMATION NOT SHOWN IN DETAILS ON THIS PAGE.



3 SECTION
 S-302 SCALE: 3/4" = 1'-0"



4 SECTION
 S-302 SCALE: 3/4" = 1'-0"



5 SECTION
 S-302 SCALE: 3/4" = 1'-0"

WWW.LDILine.com

Order Plans @

I:\projects\18221.05\18221.05.dwg (18221.05) E:\M\J\Key West Maintenance Facility - Structural - 18221.05.dwg