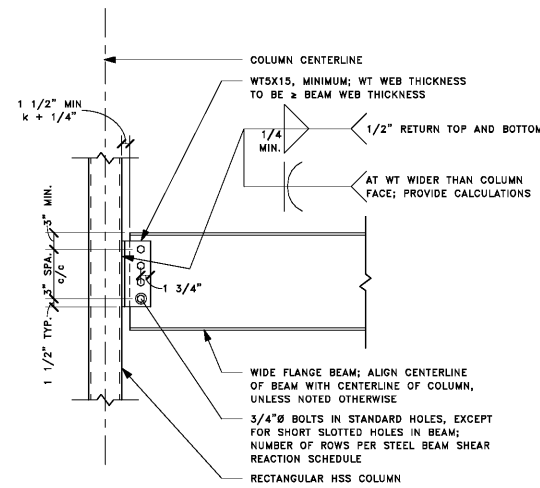


STEEL BEAM SHEAR REACTION SCHEDULE		
BEAM SIZE	MINIMUM CAPACITY (ØRn)	MINIMUM NUMBER OF ROWS OF BOLTS
W8	20 K	2
W10	30 K	2
W12	40 K	3
W14	50 K	3
W16	60 K	4
W18	70 K	4
W21	85 K	5
W24	100 K	6
W27	120 K	7
W30	130 K	8
W33	140 K	9
W36	150 K	9

NOTES:

- CONNECTIONS FOR ALL BEAMS SHALL HAVE MINIMUM ULTIMATE CAPACITIES AND NUMBER OF BOLTS AS LISTED ABOVE. SEE PLANS FOR BEAMS REQUIRING LARGER REACTIONS THAN SHOWN ABOVE. INDICATED ON PLAN AT BEAM END AS FOLLOWS: ØOK.
- CONTRACTOR TO PROVIDE STAMPED CALCULATIONS FOR THE FOLLOWING CONNECTIONS:
  - CONNECTIONS AT LOCATIONS WITH LOADS GREATER THAN MINIMUM INDICATED IN SCHEDULE ABOVE.
  - CONNECTIONS NOT SPECIFICALLY DETAILED IN EITHER TYPICAL DETAILS OR SECTIONS.
  - ANY CONTRACTOR MODIFICATIONS TO TYPICAL CONNECTIONS.
  - ALL SINGLE PLATE CONNECTIONS.

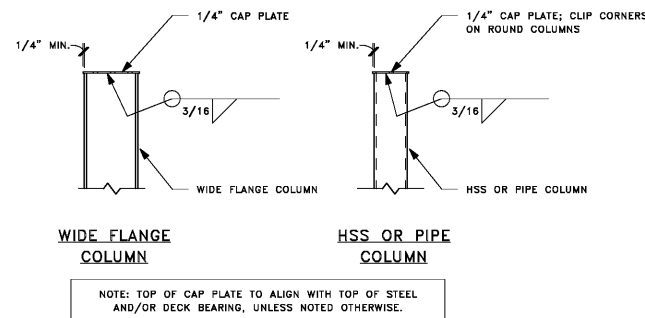


TYPICAL DETAIL OF BEAM TO RECTANGULAR HSS COLUMN CONNECTION

STEEL BEAM SHEAR REACTION SCHEDULE

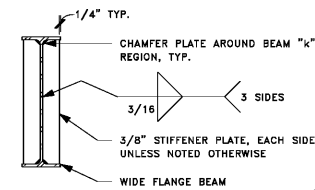
SCALE: 3/4" = 1'-0"

SCALE: 3/4" = 1'-0"



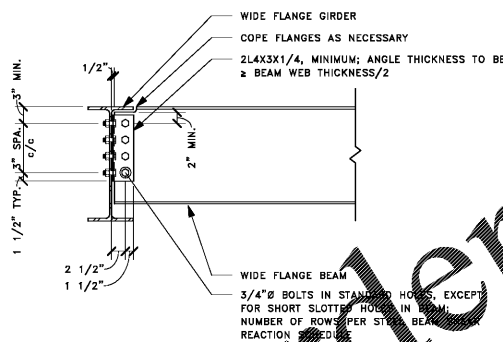
TYPICAL DETAIL OF COLUMN CAP PLATE

SCALE: 3/4" = 1'-0"



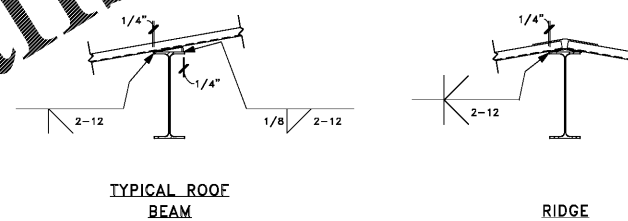
TYPICAL DETAIL OF STIFFENER AND CONTINUITY PLATES

SCALE: 3/4" = 1'-0"



TYPICAL DETAIL OF BEAM TO BEAM SHEAR CONNECTION

SCALE: 3/4" = 1'-0"



TYPICAL DETAILS OF SLOPED ROOF DECK

SCALE: 3/4" = 1'-0"

**McFarland Johnson**  
2409 N. ROOSEVELT BOULEVARD  
SUITE 4  
KEY WEST, FLORIDA 33040  
P: 321-4321-7029  
mjinco.com

PROJECT MILESTONE  
**BID PLANS**

NO.	DATE	DESCRIPTION

CLIENT: **KEY WEST INTERNATIONAL AIRPORT**  
PROJECT: **AIRPORT MAINTENANCE STORAGE FACILITY PROJECT**  
KEY WEST, FL

DRAWN	<b>OHG</b>
DESIGNED	<b>OHG</b>
CHECKED	<b>CEP</b>
SCALE	
DATE	<b>MARCH 4, 2020</b>
PROJECT	<b>18221.05</b>

IT IS A VIOLATION OF LAW FOR ANY PERSON, UNLESS THEY ARE ACTING UNDER THE DIRECT DIRECTION OF A LICENSED PROFESSIONAL ENGINEER, ARCHITECT, LANDSCAPE ARCHITECT, OR LAND SURVEYOR, TO ALTER AN ITEM IN ANY WAY, IF AN ITEM BEARING THE STAMP OF A LICENSED PROFESSIONAL IS ALTERED. THE ALTERING ENGINEER, ARCHITECT, LANDSCAPE ARCHITECT, OR LAND SURVEYOR SHALL STAMP THE DOCUMENT AND INCLUDE THE NOTATION "ALTERED BY" FOLLOWED BY THEIR SIGNATURE, THE DATE OF SUCH ALTERATION, AND A SPECIFIC DESCRIPTION OF THE ALTERATION.

DRAWING TITLE  
**STEEL TYPICAL DETAILS**

DRAWING NUMBER  
**S-003**

Order Plans @ [www.LDILine.com](http://www.LDILine.com)