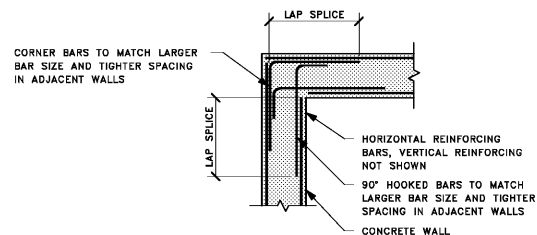


BAR SIZE	SPLICE LENGTH	90° HOOK EXTENSION	180° HOOK EXTENSION	BEND DIAMETER
3	28	4.5	2.5	3
4	38	6	2.5	4
5	47	7.5	2.5	5
6	56	9	3	6
7	81	10.5	3.5	7
8	93	12	4	8
9	105	13.5	4.5	9
10	118	15.5	5.5	11
11	131	17	6	12

NOTES:
 1. ALL LENGTHS INDICATED ARE IN INCHES.
 2. INCREASE LENGTHS BY 33% IN LIGHTWEIGHT CONCRETE.

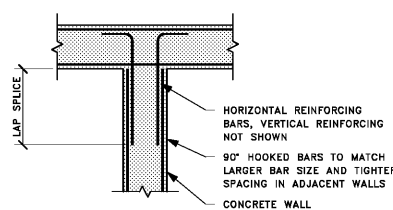
SCHEDULE OF TYPICAL BAR DETAILS

SCALE: 1/2" = 1'-0"



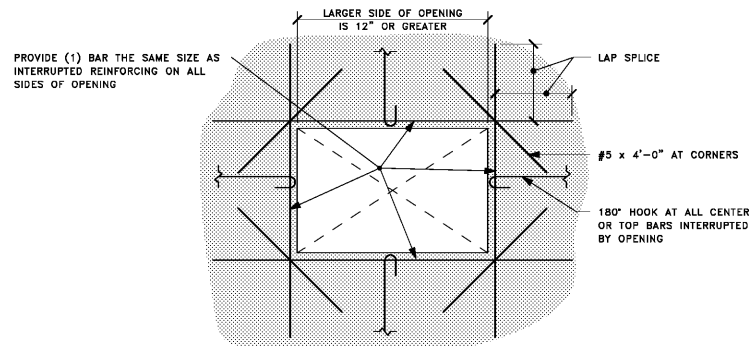
TYPICAL DETAIL AT WALL CORNER: DOUBLE LAYER OF REINFORCING

SCALE: 1/2" = 1'-0"



TYPICAL DETAIL AT WALL INTERSECTION: DOUBLE LAYER OF REINFORCING

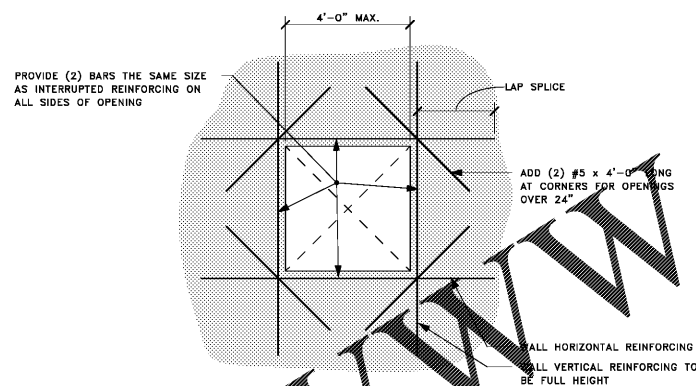
SCALE: 1/2" = 1'-0"



NOTE: AT OPENINGS SMALLER THAN 12", POSITION OPENING TO AVOID SLAB REINFORCING.

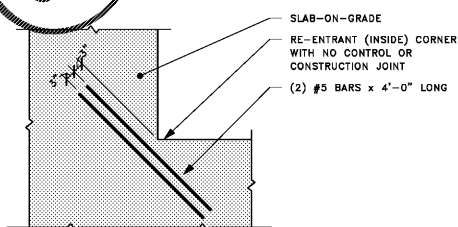
TYPICAL DETAIL OF REINFORCING AT SLAB-ON-GRADE OPENINGS

SCALE: 1/2" = 1'-0"



TYPICAL DETAIL OF REINFORCING AT CONCRETE WALL OPENINGS

SCALE: 1/2" = 1'-0"



TYPICAL DETAIL OF SLAB-ON-GRADE REINFORCING AT RE-ENTRANT CORNERS

SCALE: 1/2" = 1'-0"

PROJECT MILESTONE
BID PLANS

NO.	DATE	DESCRIPTION

CLIENT: **KEY WEST INTERNATIONAL AIRPORT**
 KEY WEST, FL
 PROJECT: **AIRPORT MAINTENANCE STORAGE FACILITY PROJECT**

DRAWN	OHG
DESIGNED	OHG
CHECKED	CEP
SCALE	
DATE	MARCH 4, 2020
PROJECT	18221.05

IT IS A VIOLATION OF LAW FOR ANY PERSON, UNLESS THEY ARE ACTING UNDER THE DIRECTION OF A LICENSED PROFESSIONAL ENGINEER, ARCHITECT, LANDSCAPE ARCHITECT, OR LAND SURVEYOR, TO ALTER AN ITEM IN ANY WAY. IF AN ITEM BEARING THE STAMP OF A LICENSED PROFESSIONAL IS ALTERED, THE ALTERING ENGINEER, ARCHITECT, LANDSCAPE ARCHITECT, OR LAND SURVEYOR SHALL STAMP THE DOCUMENT AND INCLUDE THE NOTATION "ALTERED BY" FOLLOWED BY THEIR SIGNATURE, THE DATE OF SUCH ALTERATION, AND A SPECIFIC DESCRIPTION OF THE ALTERATION.

DRAWING TITLE
CONCRETE TYPICAL DETAILS

DRAWING NUMBER
S-002

Order Plans @ www.LDILine.com