

Order Plans @ www.dline.com

FLOOR DRAIN SCHEDULE			
MARK	MANUFACTURER	MODEL	DESCRIPTION
FD3	SIOUX CHIEF JOSAM	880 FD-370	LIGHT DUTY PVC WITH 9" DIAMETER LOOSE SET PVC HALF GRATE

GENERAL INFORMATION (AS APPLICABLE):  
 1. REFER TO PLANS FOR DRAIN OUTLET SIZE  
 2. LOAD CLASSIFICATIONS: LIGHT DUTY <2000 LBS, MEDIUM DUTY 2000 TO 4999 LBS, HEAVY DUTY 5000 TO 7499 LBS, EXTRA HEAVY DUTY 7500 TO 9999 LBS

EQUIVALENT NOMINAL PIPE SIZES			
PLAN SIZE	POLYPROPYLENE (COPPER)	POLYPROPYLENE (HOT WATER)	POLYPROPYLENE (COLD WATER)
1/2"	1/2"	1/2"	1/2"
3/4"	3/4"	3/4"	1"
1"	1"	1"	1 1/4"
1 1/4"	1 1/2"	1 1/4"	1 1/2"
1 1/2"	2"	1 1/2"	2"
2"	2 1/2"	2"	N/A
2 1/2"	3"	2 1/2"	N/A
3"	3 1/2"	3"	N/A
4"	6"	4"	N/A

NOTE: REFER TO SPECIFICATIONS FOR APPROVED MANUFACTURERS.

TOILET PLUMBING FIXTURE SCHEDULE									
MARK	FIXTURE	BRANCH SIZES (MIN)				MANUFACTURER	MODEL	TRIM AND ACCESSORIES	NOTES
		CW	HW	WASTE	VENT				
L17	LAVATORY DECK 3-STATION	1/2"	1/2"	1 1/2"	1 1/2"	LEVANTINA STONE AND STEEL	Q3303N DSCT-83000-90-SB	LEVANTINA WALL MOUNTED, ONE-PIECE QUARTZ DECK (SNOWFALL) STONE AND STEEL WALL MOUNTED, ONE-PIECE QUARTZ DECK (SNOW BLIND) BOWL: CHINA SHELL CH-8360 UNDERMOUNT 18"x13" CHINA BOWL(S) BASE: ACCORN STAINLESS STEEL APRON (AP-3, 3 BOWL), HINGED TRAP AND PIPING ENCLOSURE. FAUCET: TOTO TEL145-D106 - 0.5 GPM SENSOR OPERATED SELF-GENERATING POWER SYSTEM. CHROME PLATED BRASS P-TRAP WITH CLEANOUT, GRID STRAINER WITH TAILPIECE. CONNECTION ACCESSORIES: (2) STOP VALVES PER DECK, THERMOSTATIC MIXING VALVE KIT (TMV, HOSES & FITTINGS) SET TMV TO 105°F.	B
L21	LAVATORY DECK 3-STATION LEFT TRASH	1/2"	1/2"	1 1/2"	1 1/2"	LEVANTINA STONE AND STEEL	Q3303LT DSCT-83000-94-TC-L-SB	LEVANTINA WALL MOUNTED, ONE-PIECE QUARTZ DECK (SNOWFALL) STONE AND STEEL WALL MOUNTED, ONE-PIECE QUARTZ DECK (SNOW BLIND) BOWL: CHINA SHELL CH-8360 UNDERMOUNT 18"x13" CHINA BOWL(S) BASE: ACCORN STAINLESS STEEL APRON (AP-3, 3 BOWL), HINGED TRAP AND PIPING ENCLOSURE. FAUCET: TOTO TEL145-D106 - 0.5 GPM SENSOR OPERATED SELF-GENERATING POWER SYSTEM. CHROME PLATED BRASS P-TRAP WITH CLEANOUT, GRID STRAINER WITH TAILPIECE. CONNECTION ACCESSORIES: (2) STOP VALVES PER DECK, THERMOSTATIC MIXING VALVE KIT (TMV, HOSES & FITTINGS) SET TMV TO 105°F.	B
L25	LAVATORY DECK 2-STATION	1/2"	1/2"	1 1/2"	1 1/2"	LEVANTINA STONE AND STEEL	Q3302 DSCT-82000-60-SB	LEVANTINA WALL MOUNTED, ONE-PIECE QUARTZ DECK (SNOWFALL) STONE AND STEEL WALL MOUNTED, ONE-PIECE QUARTZ DECK (SNOW BLIND) BOWL: CHINA SHELL CH-8360 UNDERMOUNT 18"x13" CHINA BOWL(S) BASE: ACCORN STAINLESS STEEL APRON (AP-3, 3 BOWL), HINGED TRAP AND PIPING ENCLOSURE. FAUCET: TOTO TEL145-D106 - 0.5 GPM SENSOR OPERATED SELF-GENERATING POWER SYSTEM. CHROME PLATED BRASS P-TRAP WITH CLEANOUT, GRID STRAINER WITH TAILPIECE. CONNECTION ACCESSORIES: (2) STOP VALVES PER DECK, THERMOSTATIC MIXING VALVE KIT (TMV, HOSES & FITTINGS) SET TMV TO 105°F.	B
L28	LAVATORY DECK 1-STATION CHILD HEIGHT	1/2"	1/2"	1 1/2"	1 1/2"	LEVANTINA	Q3301	LEVANTINA WALL MOUNTED, ONE-PIECE QUARTZ DECK (SNOWFALL) STONE AND STEEL WALL MOUNTED, ONE-PIECE QUARTZ DECK (SNOW BLIND) BOWL: CHINA SHELL CH-8360 UNDERMOUNT 18"x13" CHINA BOWL(S) BASE: LOW HEIGHT BASE ACCORN STAINLESS STEEL APRON (AP-1, 1 BOWL), HINGED TRAP AND PIPING ENCLOSURE. CONTINUOUS PIPING AND TRAP. FAUCET: TOTO TEL145-D106 - 0.5 GPM SENSOR OPERATED SELF-GENERATING POWER SYSTEM. CHROME PLATED BRASS P-TRAP WITH CLEANOUT, GRID STRAINER WITH TAILPIECE. CONNECTION ACCESSORIES: (2) STOP VALVES PER DECK, THERMOSTATIC MIXING VALVE KIT (TMV, HOSES & FITTINGS) SET TMV TO 105°F.	B

GENERAL INFORMATION (ALL FIXTURES):  
 1. SUBSTITUTIONS NOT PERMITTED. REF SPECIFICATIONS FOR APPROVED MANUFACTURERS OF THE FOLLOWING TRIM AND ACCESSORIES:  
 - P-TRAP WITH CLEANOUT PLUG AND SINK CONTINUOUS WASTES: POLISHED CHROME PLATED TUBULAR BRASS 1/2" GALVANNEED BRASS NIPPLES  
 - SS BRAIDED WATER SUPPLY; FLEXIBLE BRAIDED STAINLESS STEEL (SS) OUTER SHEATHING WITH REINFORCED PVC INNER  
 - STOP VALVES: CHROME PLATED BRASS, QUARTER TURN ANGLE STOP VALVES.

NOTES:  
 A. INSTALL FURNISHED 1/2" X 3/4" STAINLESS STEEL SIMPSON WEDGE-ALL WEDGE ANCHORS FOR ALL DECK MOUNTED FIXTURE CARRIERS.  
 B. INSTALL FURNISHED THERMOSTATIC MIXING VALVE.  
 C. REFERENCE ARCHITECTURAL DRAWINGS FOR EMCZ ORIENTATION.  
 D. COORDINATE WATER ROUGH-IN HEIGHT FROM MANUFACTURER'S INSTALLATION INSTRUCTIONS WITH GRAB-BAR LOCATION REF ARCH.  
 E. USE SAME MANUFACTURER FOR UR1 AND UR2.

PLUMBING SYMBOLS	
SS	SANITARY SEWER
GW	GREASE WASTE
OW	OIL WASTE
ST	STORM SEWER
RD	ROOF DRAIN LINE
ORD	OVERFLOW ROOF DRAIN LINE
---	DOMESTIC COLD WATER
---	DOMESTIC HOT WATER
---	DOMESTIC HOT WATER RETURN
IR	IRRIGATION WATER
T	TEMPERED WATER
F	FILTER WATER
G	NATURAL GAS
CA	COMPRESSED AIR
RO	CONDENSATE DRAIN
RO	REVERSE OSMOSIS WATER
V	PLUMBING VENT
VAC	PLUMBING VACUUM
U	UNION
R	GAS PRESSURE REGULATOR
GC	GAS COCK
E	ELBOW - TURNED DOWN
E	ELBOW - TURNED UP
T	TEE - TURNED DOWN
T	TEE - TURNED UP
B	BALL VALVE
F	FLOW CONTROL VALVE
P	PLUG VALVE
CV	CHECK VALVE
SH	SHUT-OFF VALVE IN VERTICAL LINE
B	BACKFLOW PREVENTER
M	WATER METER
WA	WATER HAMMER ARRESTOR
TM	THERMOMETER
TR	T & P RELIEF VALVE
TMV	THERMOSTATIC MIXING VALVE
FD	FLOOR DRAIN
RO	ROOF DRAIN/OVERFLOW ROOF DRAIN
FS	FLOOR SINK
FCD	FLOOR CLEANOUT
YCD	YARD CLEANOUT
FWH	FREEZE PROOF WALL HYDRANT
HB	HOSE BIBB
WC	WALL CLEANOUT
CE	CONNECT TO EXISTING
ETR	EXISTING TO REMAIN
DP	DEMO PIPE
AS	AREA OF SLAB CUT
VBF	VENT BELOW FLOOR

STIPULATION FOR REUSE:  
 THIS DRAWING AND ANY INFORMATION CONTAINED HEREIN IS THE PROPERTY OF HENDERSON ENGINEERS. IT IS TO BE USED ONLY FOR THE PROJECT AND SITE SPECIFICALLY IDENTIFIED HEREIN. IT IS NOT TO BE REPRODUCED, COPIED, OR TRANSMITTED IN ANY FORM OR BY ANY MEANS, ELECTRONIC OR MECHANICAL, INCLUDING PHOTOCOPYING, RECORDING, OR BY ANY INFORMATION STORAGE AND RETRIEVAL SYSTEM, WITHOUT THE WRITTEN PERMISSION OF HENDERSON ENGINEERS.

CONSULTANTS:  
**HENDERSON ENGINEERS**  
 3045 ENCLAVE DRIVE, SUITE 300  
 WYOMING, NORTH CAROLINA 27178  
 TEL 313.742.2666 FAX 919.742.2071  
 WWW.HENDERSONENGINEERS.COM  
 HENDERSON ENGINEERS, INC. LICENSE NO. C-1492  
 EXPIRES 03/31/2025

2020 SPRB

ISSUE BLOCK

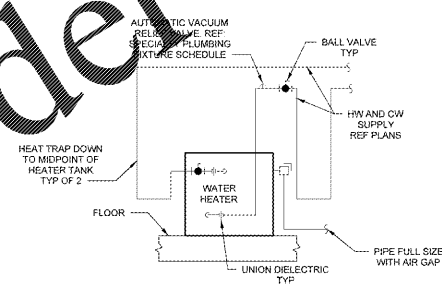
CHECKED BY: LJC  
 DRAWN BY: JMD  
 PROTO CYCLE: 12/26/19  
 DOCUMENT DATE: 02/24/20

NOT FOR CONSTRUCTION

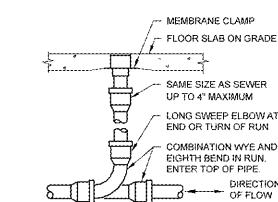
PLUMBING DETAILS AND SCHEDULES

SHEET: P2

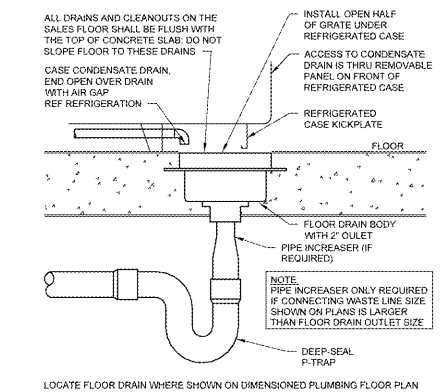
**3 WATER HEATER BELOW COUNTER**  
NTS



**2 FLOOR CLEANOUT**  
NTS



**1 REFRIGERATED CASE DRAIN**  
NTS



EXISTING CONDITIONS WERE TAKEN FROM ORIGINAL DRAWINGS AND MAY NOT REFLECT EXACT "AS-BUILT" CONDITIONS. CONTRACTOR SHALL FIELD VERIFY ALL EXISTING CONDITIONS PRIOR TO SUBMITTING FINAL BIDS. CONTRACTOR SHALL CAREFULLY COORDINATE NEW WORK AND DEMOLITION WITH ALL OTHER DISCIPLINES AND EXISTING CONDITIONS.

EACH SUBCONTRACTOR IS RESPONSIBLE FOR HAVING A THOROUGH KNOWLEDGE OF ALL DRAWINGS AND SPECIFICATIONS IN THEIR RELATED FIELD. THE FAILURE TO ACQUAINT THEMSELVES WITH THIS KNOWLEDGE DOES NOT RELIEVE THE RESPONSIBILITY OF PERFORMING THE WORK PROPERLY. NO ADDITIONAL COMPENSATION SHALL BE ALLOWED BECAUSE OF CONDITIONS THAT OCCUR DUE TO FAILURE TO FAMILIARIZE WORKERS WITH THIS KNOWLEDGE.