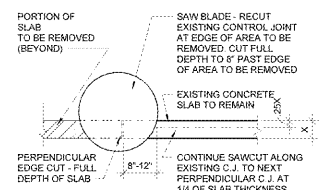
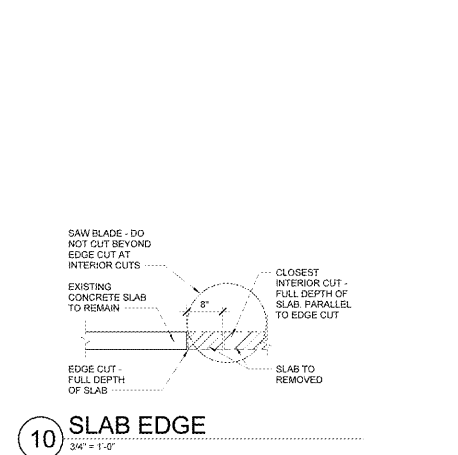


- CONTRACTOR NOTES: 1. SLAB DEMOLITION DETAILS, AS INDICATED IN THIS AND RELATED DETAILS, ARE INTENDED FOR USE ON ALL INTERIOR SLAB DEMOLITION WHERE THE FINAL FINISH IS EXPOSED CONCRETE. TRENCHING OF SLABS IS ALLOWED ONLY WHERE FINAL FINISH IS SCHEDULED TO BE OTHER THAN EXPOSED CONCRETE (I.E. TILE, EPOXY RESIN, CARPET, ETC.) 2. UNDER NO CIRCUMSTANCES SHALL THE PORTION TO BE REMOVED OR THE REMAINDER BE LESS THAN 4'-0\"/>

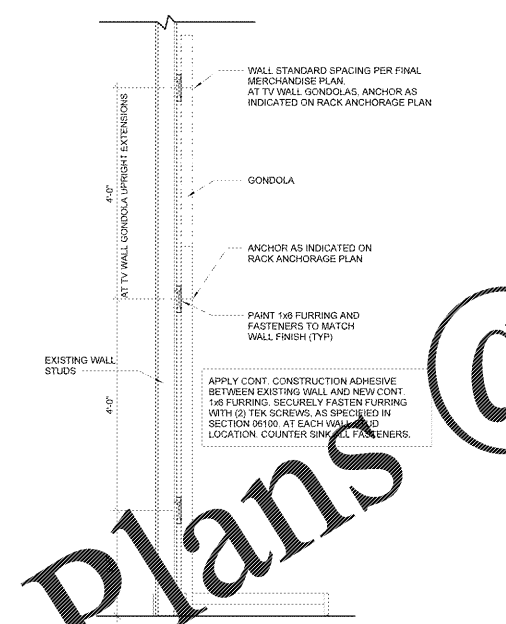


10 SLAB DEMOLITION DETAIL 1/4" = 1'-0"

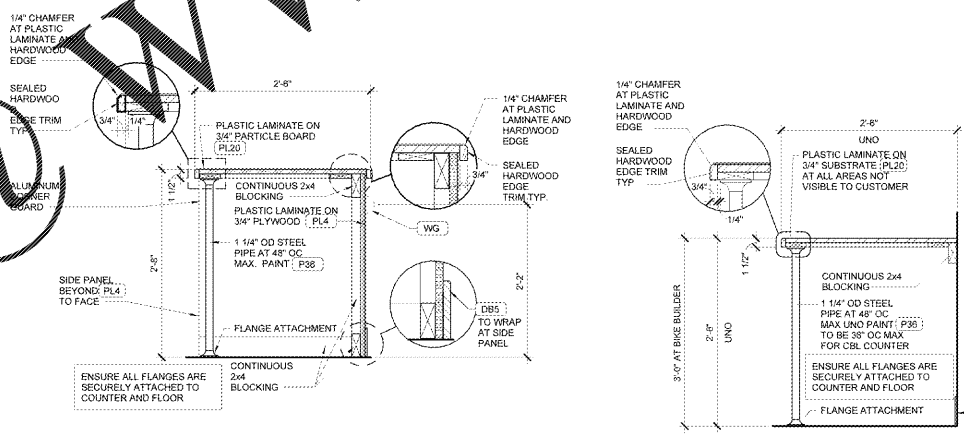
11 SLAB EDGE AT EXIST. C.J. 3/4" = 1'-0"



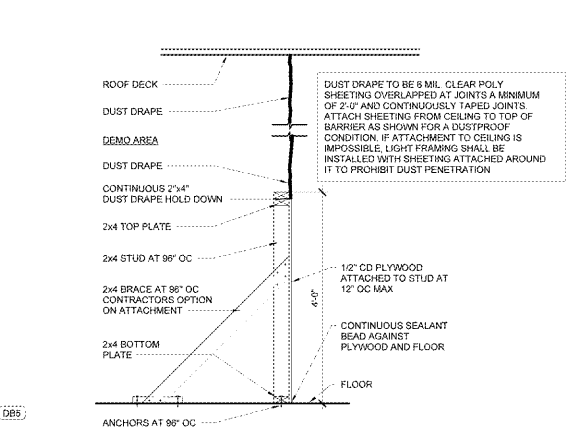
12 SLAB EDGE 3/4" = 1'-0"



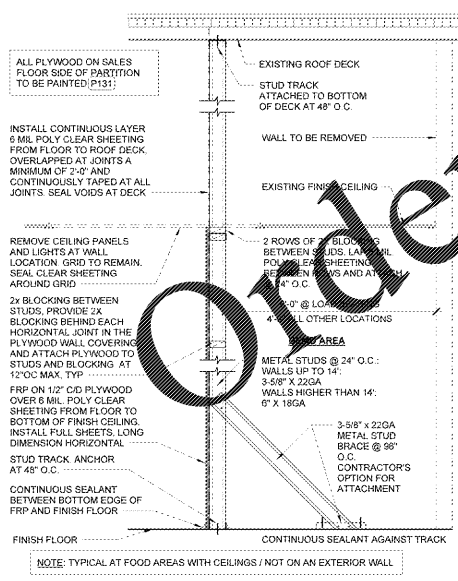
13 GONDOLA ANCHORING ON STUD WALL 3/4" = 1'-0"



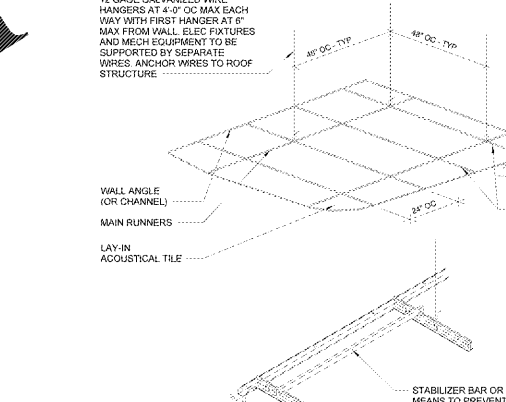
14 COUNTER SECTION 1/2" = 1'-0"



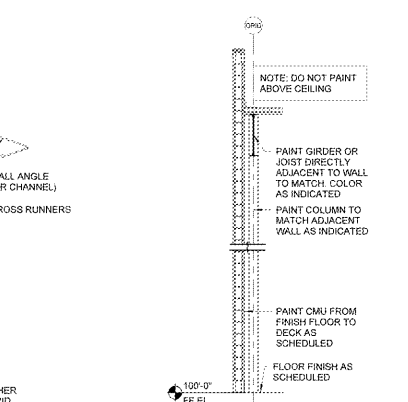
15 TEMPORARY BARRIER/DUST DRAPE 3/4" = 1'-0"



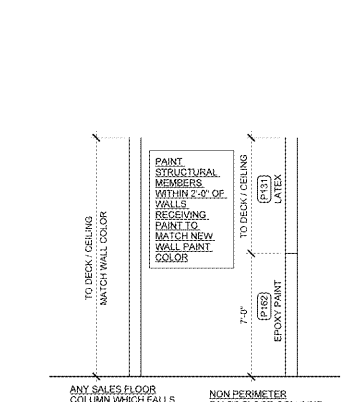
16 TEMPORARY FRP CLAD BARRIER/DUST DRAPE 3/4" = 1'-0"



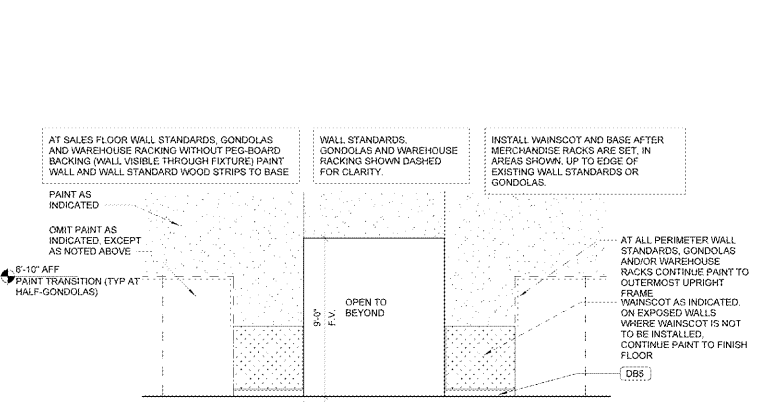
17 CEILING GRID DETAIL 3/4" = 1'-0"



18 EXISTING EXT CMU WALL SECTION 1/4" = 1'-0"



19 COLUMN COLORS 1/4" = 1'-0"



20 SALES WALL FINISHES @ PERIMETER HALF-GONDOLAS 1/4" = 1'-0"