

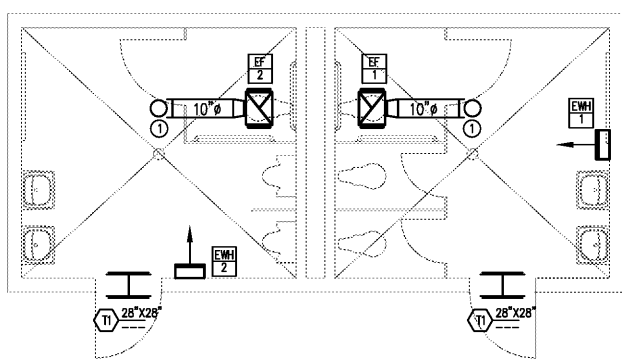


**DUNWODY/BEEELAND,**  
architects, inc.

Web: [www.dunwodybeeland.com](http://www.dunwodybeeland.com)  
Macon, Georgia 31201  
T: 478.742.5321  
F: 478.743.0863

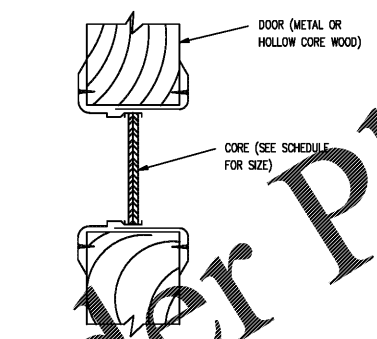
Dunwody/Beeland, Architects, Inc.  
This drawing may be utilized only for the purpose of constructing or installing the work shown thereon at the site of the work specified. Any other use of this drawing, including without limitation any reproduction or alteration of this drawing, without prior written approval of Dunwody/Beeland, Architects, Inc. is prohibited.

**NEW RESTROOMS  
AT TObESOFKEE PARKS  
FOR MACON-BIBB COUNTY**  
MACON, GEORGIA

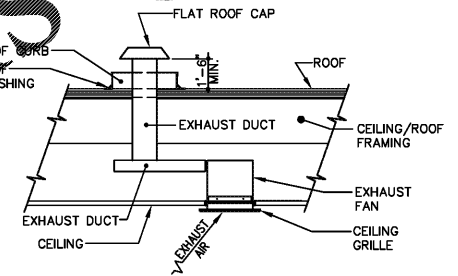


**1 RESTROOMS MECHANICAL PLAN**  
SCALE: 1/4"=1'-0"

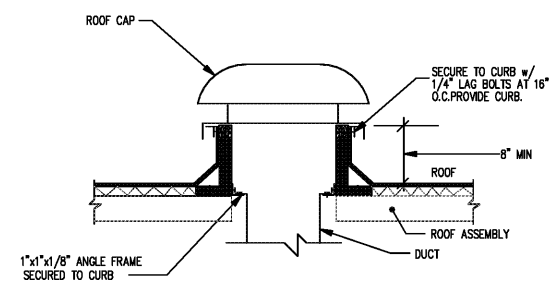
KEY NOTES (THIS SHEET ONLY):  
① EXHAUST DUCT UP TO CAP ON ROOF.



**2 DOOR GRILLE DETAIL**  
SCALE: N.T.S.



**3 CEILING EXHAUST FAN DETAIL**  
SCALE: N.T.S.



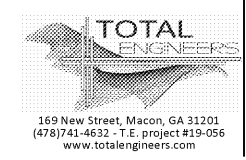
**4 ROOF CAP DETAIL**  
SCALE: N.T.S.

Order Plans @ [www.LDILine.com](http://www.LDILine.com)

Revisions:

Sheet Title:  
RESTROOM  
MECHANICAL PLAN  
& DETAILS

Project #: 1819 Date: 12/23/19



**M1.1RR**